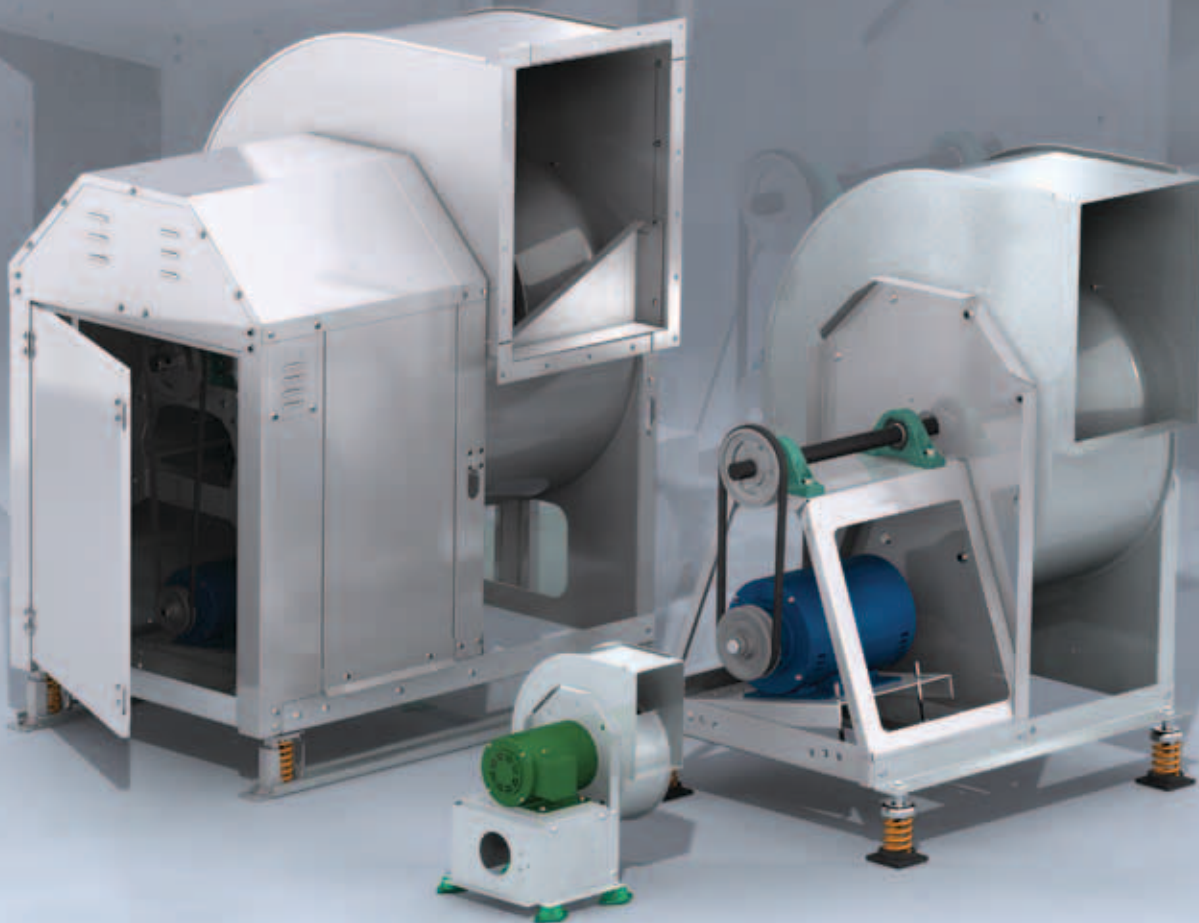


Centrifugal Utility Fans Model SFD, SFB and SWB

Direct and Belt Drive



BUILDING VALUE IN AIR.

 **GREENHECK**
Building Value in Air.

November
2011

Models SFD, SFB and SWB Utility Fans



Contents

Standard Construction Features	4-5	Discharge Position and Dimensional Data...	12-13
Severe Duty Options	6	Fan Identification/Model Selection.....	14
Temperature Options.....	7	SFD Performance and Dimensions.....	15
Options and Accessories	8-9	SFB Performance and Dimensions.....	16-25
Engineering Data.....	10	SWB Performance and Dimensions.....	26-61
Typical Installations	11	Typical Specifications.....	62-63



Greenheck Fan Corporation certifies that the model SFD, SFB and SWB, fans shown herein are licensed to bear the AMCA Seal. The ratings shown are based on tests and procedures performed in accordance with AMCA Publication 211 and comply with the requirements of the AMCA Certified Ratings Program. The certified ratings for Model SFD, SFB and SWB are shown on pages 15-61.



Greenheck Fan Corporation certifies that the model SWB Series 300 AF, fans shown herein are licensed to bear the AMCA Seal. The ratings shown are based on tests and procedures performed in accordance with AMCA Publication 211 and AMCA Publication 311 and comply with the requirements of the AMCA Certified Ratings Program. The certified ratings for Model SWB Series 300 AF are shown on pages 49-61.



SFD, SFB and SWB Series 100, 200 and 300 models are listed for electrical (UL/cUL 705) File no. E40001

SWB Series 200 and 300 models are listed for grease removal (UL/cUL 762) File no. MH11745

SWB Series 200 and 300 models are listed for Emergency Smoke Control Systems File No. MH17511

High Wind Certification

Miami-DADE Notice of Acceptance (NOA)
09-0303.31 for high wind and hurricane zones
Florida Product Approval Number - FL12680

Seismic Certification

OSHPD - Office of Statewide Health Planning
and Development - OSP-0113-10
IBC 2006 and 2009 - International Building Code



Enjoy Greenheck's extraordinary service, before, during and after the sale.

Greenheck offers added value to our wide selection of top performing, energy-efficient products by providing several unique Greenheck service programs.

- Our Quick Delivery Program ensures shipment of our in-stock products within 24 hours of placing your order. Our Quick Build made-to-order products can be produced in 1-3-5-10- or 15-day production cycles, depending upon their complexity.
- Greenheck's free Computer Aided Product Selection program (CAPS), rated by many as the best in the industry, helps you conveniently and efficiently select the right products for the challenge at hand.
- Greenheck has been Green for a long time! Our energy-saving products and ongoing corporate commitment to sustainability can help you qualify for LEED credits.
- Our 3D service allows you to download at no charge lightweight, easy-to-use AutoDesk™ Revit™ 3D drawings for many of our ventilation products.

Find out more about these special Greenheck services at greenheck.com

Models SFD, SFB and SWB Utility Fans

Model Comparison																										
Model	Location		Mounting					Airflow				Application						Drive Type		Impeller Type			Performance		Relative Cost	
	Outdoor	Indoor	Roof Curb	Base/Floor	Hanging	Wall	Ceiling Mounted	Exhaust	Supply	Reversible	Recirculate	General/Clean Air	Contaminated Air	Spark Resistant	Grease (UL 762)	Smoke Control (UL)	High Wind (150 mph)	High Temp (above 200°F)	Belt	Direct	Centrifugal	Propeller/Axial	Mixed Flow	Maximum Volume (cfm)		Maximum Static Pressure (in. wg)
SFD	✓	✓		✓				✓	✓			✓	✓				✓		✓	✓				2,600	2.5	\$
SFB	✓	✓		✓				✓	✓			✓	✓				✓		✓	✓				25,200	3.5	\$\$
SWB	✓	✓		✓				✓	✓			✓	✓	✓	✓	✓	✓	✓	✓	✓				54,000	5	\$\$\$

Models SFD and SFB

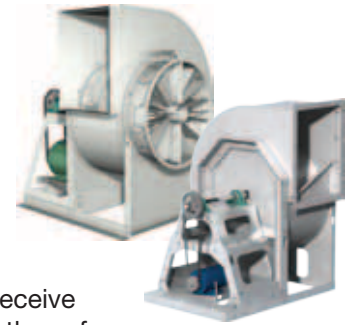
Greenheck models SFD and SFB forward-curved utility fans have been designed for supply, exhaust and return air applications requiring low to medium air volumes and pressures. You will receive the following benefits with these fans:



- SFD fans are available in four sizes (6, 7.5, 9 and 10) with different rpm motors. Capacities range from 300 to 2,600 cfm (510 to 4,600 m³/hr) with static pressures to 2.5 in. wg (623 Pa).
- SFB fans are available in ten sizes (9 through 30) with capacities ranging from 360 to 25,200 cfm (610 to 42,800 m³/hr) and static pressures to 3.5 in. wg (872 Pa).
- Greenheck utility fans are designed, engineered and tested prior to shipment to provide years of smooth, vibration-free operation with minimal maintenance.
- The fan may be mounted indoors or outdoors.
- All fan sizes are tested in our AMCA accredited laboratory to ensure complete and accurate performance ratings. All models are licensed to bear the AMCA Air Performance seal. Performance as cataloged is assured.

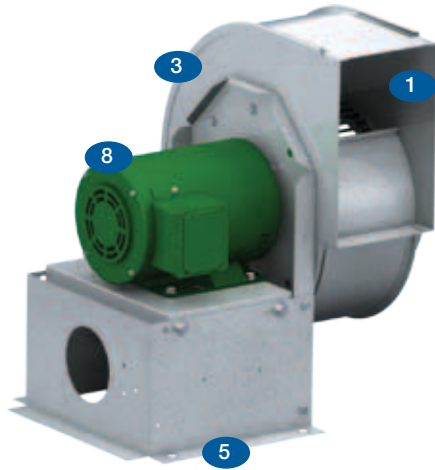
Model SWB

Greenheck's backward-inclined utility fans have many advantages; higher operating efficiencies, non-overloading horsepower curves and higher pressure capabilities. You will also receive the following benefits with these fans:

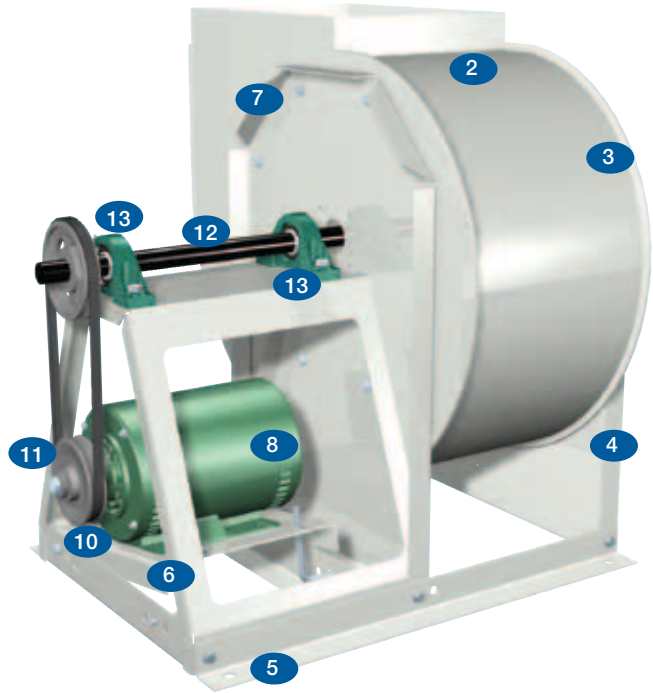


- SWB Series 100 in ten sizes (106 through 124) with capacities from 70 to 11,000 cfm (120 to 18,700 m³/hr) and static pressures to 3.0 in. wg (747 Pa).
- SWB Series 200 in twelve sizes (206 through 224) with capacities from 70 to 13,700 cfm (120 to 23,300 m³/hr) and static pressures to 5.0 in. wg (1250 Pa).
- SWB Series 300 in seven sizes (327 through 349) with capacities from 4,600 to 54,000 cfm (7,700 to 91,700 m³/hr) and static pressures to 5.0 in. wg (1250 Pa).
- Three different series of construction will meet your exact needs in the most efficient manner.
- Greenheck utility fans are designed, engineered and tested prior to shipment to provide years of smooth, vibration-free operation with minimal maintenance.
- Fans are tested in our AMCA accredited laboratory to ensure complete and accurate performance ratings. All models are licensed to bear the AMCA Air Performance seal. SWB 300 Series AF fans are licensed to bear the AMCA Sound and Air Performance seal. Performance as cataloged is assured.

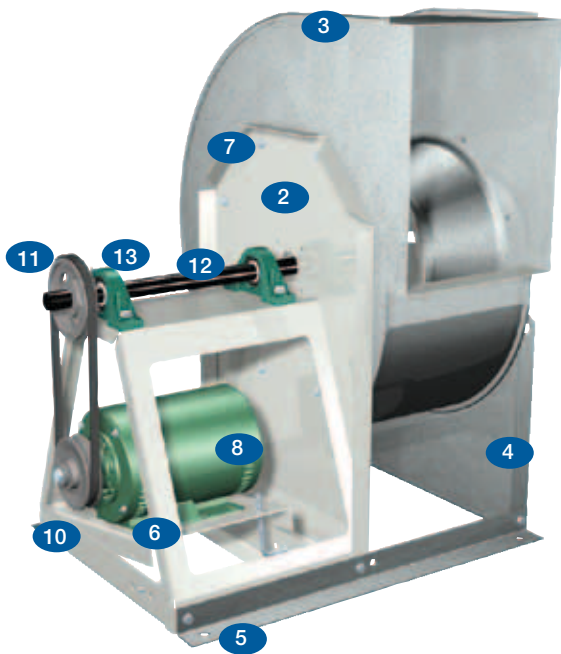
Standard Construction Features			SFD	SFB	SWB		
					100	200	300
1	Wheel	<p>SFD and SFB fans have forward-curved centrifugal wheels constructed of die formed steel with blades securely riveted to a steel backplate and rim. Each wheel is statically and dynamically balanced to precise tolerances.</p> <p>SWB Series 100 and 200 through size 210 have backward-inclined non-overloading centrifugal wheels constructed of aluminum. Series 200, sizes 212 and larger and Series 300 wheels are constructed of steel or aluminum. Backward-inclined wheels are made of a heavy-gauge material with single-thickness blades securely riveted or welded to a heavy-gauge backplate and wheel cone. SWB Series 300 fans are available with aluminum airfoil wheels. Each wheel is statically and dynamically balanced to precise tolerances.</p>	Forward Curved	Forward Curved	Backward Inclined	Backward Inclined	Backward Inclined or Airfoil
2	Finish	<p>All structural steel parts are phosphate treated and coated with Greenheck's Permator™ for a long lasting finish. Galvanized construction remains unpainted.</p> <ul style="list-style-type: none"> • See housing and drive frame information for specific material and coating. 	—	—	—	—	—
3	Housing	SFD and SWB Series 100 housings are constructed of galvanized steel. SFB and SWB Series 200 and 300 housings are constructed of steel and coated with Permator™. Both are available in clockwise or counterclockwise rotation and are field rotatable to the eight standard discharge positions. Housing sides are bonded to the fan scroll with an airtight lock seam. Fully welded scrolls are available on SFB and SWB Series 200 and 300 models.	Galvanized	Painted Steel	Galvanized	Painted Steel or Aluminum	Painted Steel
4	Housing Supports	Housing supports are constructed of heavy gauge-steel with formed flanges for extra strength.	✓	✓	✓	✓	✓
5	Mounting Holes	Base rails have prepunched mounting holes which allow for easy installation.	✓	✓	✓	✓	✓
6	Drive Frame	Series 100 and 200 drive frames are constructed of rugged, welded and coated steel members (Series 300 drive frames are constructed of reinforced heavy gauge galvanized steel) supporting the shaft and bearings to provide rigid reinforcement for the housing. SFD drive frames are constructed of galvanized steel, bolted and available in arrangement 4. SFB and SWB are arrangement 10.	Galvanized	Painted Steel	Painted Steel	Painted Steel	Galvanized
7	Fasteners	Corrosion-resistant fasteners are used to secure unit base and blower scroll assembly.	✓	✓	✓	✓	✓
8	Motor	Heavy-duty ball bearing motors are carefully matched to the fan load. Open drip proof, totally enclosed and explosion resistant enclosures are available.	✓	✓	✓	✓	✓
9	Inlet Cone	Streamlined inlet cone design provides for low turbulence air intake, reducing intake losses and sound levels.	✓	✓	✓	✓	✓
Belt Drive Only Features							
10	Motor Plate	A pivoting motor plate with adjusting screws make belt tensioning a quick and easy operation.		✓	✓	✓	✓
11	Drive Assembly	Machined, cast iron pulleys are factory set to the required RPM and are adjustable for final system balancing for applications with 10 hp or less motors. Sized for a minimum of 150% of driven horsepower.		✓	✓	✓	✓
12	Fan Shaft	Precision turned, ground and polished solid steel shafts are sized so the first critical speed is at least 25% over the maximum operating speed. Stainless steel shafts are available on SWB Series 200 and 300 fans.		✓	✓	✓	✓
13	Bearings	Heavy-duty, self-aligning pillow block ball bearings are selected for a minimum L ₁₀ life in excess of 100,000 hours (L ₅₀ average life of 500,000 hours) at maximum cataloged operating conditions.		✓	✓	✓	✓



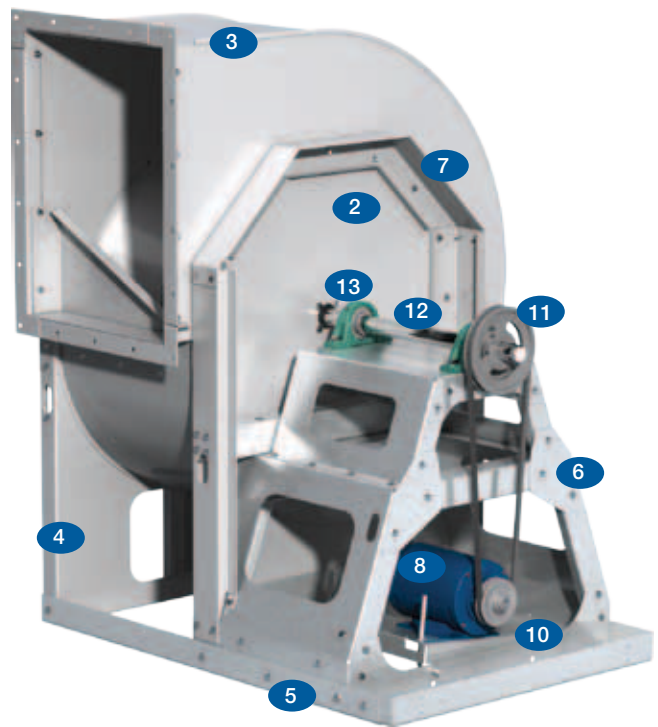
SFD



SFB and SWB 200 Series



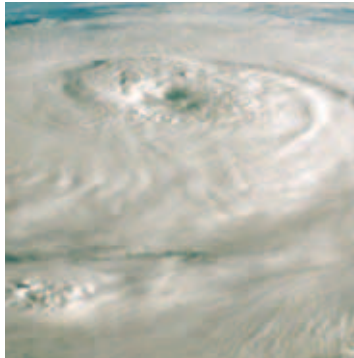
SWB 100 Series



SWB 300 Series

High Wind and Hurricane

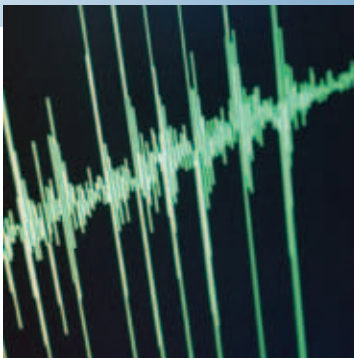
Greenheck is leading the high wind standard for roof top fans and ventilators. Forceful winds and wind-borne debris are the cause of most hurricane damage. Hurricane winds start at 75 mph. At speeds over 150 mph, wind can exert a force of 75 pounds per square foot of pressure or over 900 pounds on a fan. Forceful winds are not the only problem, wind-borne debris can also cause detrimental effects to objects and structures. High winds and extreme forces are the cause of most storm damage. By analyzing calculations, computer simulations and actual testing—Greenheck developed the High Wind Standard.



Protocols designed to protect against wind borne debris and severe wind loads:	
Miami-Dade County Test Protocols	Greenheck worked with Miami-Dade County to outline a high velocity hurricane zone standard for rooftop fans. The SFD, SFB and SWB Series 100 and 200 have been certified by an independent third party to the ASTM E-330 Static Pressure Difference Standard, Florida Building Code Test Protocol TAS-201 (large missile impact), 202 (static pressure difference) and 203 (cyclic pressure) Static Pressure Difference. NOA #09-0303.31
Florida Product Approval	Florida Product Approval ensures that products which have been approved can be used anywhere in the State of Florida which are not governed by the Miami-Dade County high wind regulations. More information can be found on the Florida Building Code website. Florida Product Approval FL12680

Seismic

With changes in building codes and standards, more equipment is required to be seismically certified in areas of the country not commonly thought of as being in seismically active zones.



The International Building Code (IBC) is designed to provide model code regulations that safeguard public health and safety in all U.S. communities. The IBC 2009 is the latest version adopted on state or local levels. With this code, the standards are intended to improve the performance and design of non-structural systems subject to seismic events.

The State of California, one of the most active seismic areas in the United States, has the Office of Statewide Health Planning and Development (OSHPD). OSHPD regulates the design and construction of healthcare facilities to ensure they are safe and capable of providing services to the public after a seismic event. OSHPD developed their own unique certification process to incorporate the IBC and ASCE testing standards to ensure equipment remains operable after a seismic event.

Protocols designed for seismic standards:	
Seismic Testing Criteria	All Greenheck seismically certified models have been tested using the most severe seismic event that is found on the Spectral Response Map per IBC Figures 1613.5 (1-2). Because our testing is performed under the worst case scenario, using the highest mapped seismic load, highest level occupancy category, worst case site class, and highest code mandated importance factor, this allows Greenheck seismically certified fans to be used anywhere in the United States under any conditions.
California OSHPD Test Protocols	The California Office of Statewide Health Planning and Development (OSHPD) requires all certified models be shake table tested in accordance with ICC ES AC-156, in which the fans are physically subjected to the same or greater forces than they will see during a seismic event. Subjecting Greenheck models SWB, SFD and SFB fans to this type of testing ensures the fans will operate without problems after a seismic event. (OSP-0113-10 - SWB Series 100 and 200 SFB, SFD)
Certified Independent Third-Party Testing	All Greenheck seismically certified fan models have gone through extensive testing procedures. Greenheck models SWB, SFD and SFB have been certified to IBC 2006, 2009, ASCE 7-05 and California OSHPD standards through both engineering calculations and shake table testing by independent third party engineering firms. (SWB Series 100 and 200, SFB and SFD)

Testing

High temperature testing was conducted at Greenheck's Research and Development facility with airstream temperatures in excess of 1000°F (538°C). Temperatures were monitored at the following critical locations throughout the tests: bearings, bearing compartment, motor, motor compartment, airstream and fan housing.

Operating Temperatures

Utility set fans are suitable for applications with elevated temperature airstreams. Refer to the chart at the right for operation temperature guidelines and optional accessories.

High Temperature/Emergency Smoke Control

The SWB Series 200 sizes 212 to 224 and Series 300 may be equipped for emergency smoke removal applications by specifying a high temperature option. The table below right indicates the construction features included in the high temperature options enabling exhaust of heat and smoke at 500°F (260°C) for a minimum of 4 hours or 1000°F (538°C) for a minimum of 15 minutes.

High Temperature Option SWB Series 200 & 300

- 500°F (260°C) for a minimum of 4 hours
- 1000°F (538°C) for a minimum of 15 minutes

Temperature ratings tested in accordance to UL smoke control systems.

Emergency Smoke Control - UL Listed SWB Series 200 & 300

- 500°F (260°C) for a minimum of 4 hours
- 1000°F (538°C) for a minimum of 15 minutes

Code	Class	Tested Temperature	Time (Hours)
IRI		500°F (260°C)	4.00
SBCCI		1000°F (538°C)	0.25
BSI	Class A	302°F (150°C)	5.00
	Class B	482°F (250°C)	2.00
	Class C	572°F (300°C)	0.50
	Class D	572°F (300°C)	1.00
	Class E	752°F (400°C)	2.00

Operating Temperatures and Construction	SWB Series 100	SWB Series 200		SWB Series 300	SFD, SFB	
	Galvanized	Painted Steel	Aluminum Airstream	Steel	SFD	SFB
-20° to 200°F (-29° to 93°C) Standard	✓	✓	✓	✓	✓	✓
201° to 300°F (94° to 149°C) Heat Slinger/Shaft Seal	✓	✓		✓		✓
301° to 400°F (149° to 204°C) Heat Slinger/Shaft Seal		✓		✓		

The maximum continuous operating temperature on the SWB is 400°F. For continuous operating temperatures between 401° and 1000°F use an Arrangement 1, 9 or 10, backward-inclined centrifugal fan model BISW.

High Temperature SWB Features Series 200 & 300	High Temperature Option	High Temperature Option with UL
Steel Construction	✓	✓
Shaft Seal	✓	✓
Heat Slinger	✓	✓
Weatherhood		✓
UL Label (Power ventilators for smoke control systems)		✓

Spark-Resistant Construction Options

The following AMCA Standards apply to fan applications that may involve the handling of potentially explosive or flammable particles, fumes or vapors.

- **AMCA Type A** - All parts in contact with the airstream are constructed of nonferrous material (aluminum). Model SWB does not meet AMCA Type A spark resistant construction because the fan shaft is steel.
- **AMCA Type B** - The fan wheel is constructed of nonferrous material (aluminum). A nonferrous (aluminum) rub ring surrounds the fan shaft where

it passes through the fan housing. Available on all SWB sizes with an aluminum wheel and rub ring.

- **AMCA Type C** - The inlet cone is constructed of nonferrous material (aluminum). A nonferrous (aluminum) rub ring surrounds the fan shaft where it passes through the fan housing.

The constructions listed minimize the potential of ferrous components making contact with each other that may produce sparks. However, they do not guarantee against the potential of producing sparks. The installer must electrically ground all fan and system components.

Options and Accessories



UL/cUL 762 - SWB Series 200 and 300 models are listed for grease removal (UL/cUL 762). The UL/cUL 762 option includes a weatherhood, threaded drain connection and access door. Indoor mounting requires the fan to have welded scroll construction.

Weatherhood - Available to completely cover the motor and drive compartments; protecting the shaft, bearings, motor and drive components from moisture and other adverse weather conditions. Weatherhoods are vented to provide sufficient motor cooling, designed to meet OSHA guidelines and are easily removed for service access. Series 300 includes an access door.

Drain Connection - Threaded drain connections can be provided to drain moisture from the bottom of the fan housing.

Grease Trap (SWB Only) - Aluminum trap is designed to collect grease residue and avoid drainage onto roof surface. Disposable grease absorbents are available for easy maintenance.

Access Doors - Access doors provide access for inspection and cleaning. Either bolted or hinged, quick opening access doors are available on all models except SFD. (Series 100—bolted option only)

Welded Scroll Construction - Welded scroll construction is available on SWB Series 200 and 300.

Aluminum Construction - Aluminum airstream option is available on SWB Series 200.



Dampers - Gravity or motorized parallel blade backdraft dampers feature sturdy galvanized frames with prepunched mounting holes, aluminum blades with felt edges and balanced design for minimal resistance to airflow. Backdraft dampers are not suitable for downblast or bottom

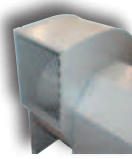
angular downblast discharge positions. The fan must be supplied with a flanged outlet to install a backdraft damper directly to the fan. Heavy-duty dampers are available for high pressure applications on fans with motors equal to or greater than 7½ horsepower.

Disconnect Switches - A wide selection of NEMA rated switches are available for positive electrical shutoff and safety, including: dust-tight, rainproof and corrosion-resistant.



Wiring Pigtail - Allows direct hookup to the power supply eliminating field wiring to the fan.

Extended Lube Lines - Lubrication lines with grease fittings are extended from shaft bearings to the base of the drive frame panel or weatherhood for easy bearing lubrication.



Inlet and Outlet Guards - Constructed of expanded metal mounted in a steel frame to provide protection for non-ducted installations. The guards can be easily removed for fan maintenance or inspection.



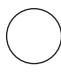
Flanged Inlet and Outlet - Flanges are available for damper mounting or flanged duct connections. Inlet flanges have prepunched mounting holes. Outlet flanges are bolted on standard; welded for UL 762 applications

Companion Flange - Connects to the inlet flange and then attaches to the ductwork. Recommended for slip-fit duct connections.

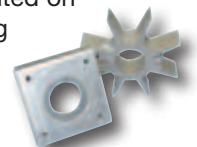
Inlet Vane Dampers (SWB only) - External inlet vane dampers are available on model SWB fans, sizes 112–124 and 212–224. External vanes are mounted on the inlet flange. Inlet vane dampers feature zinc-plated steel blade axles, stainless steel washers and bearings. Vanes can be used for either manual or automatic operation, with controls furnished by others. Maximum operating temperature is 200°F (93°C).



Coatings - A wide variety of coatings and colors are available for decorative to acidic applications on SFB and SWB Series 200 and 300. All Greenheck coatings can be found in the Performance Coatings for Commercial and Industrial Fans publication.

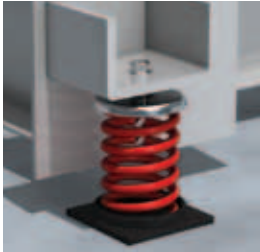
-  **Permatector™** is our standard coating. Typically used for applications that require corrosion resistance in indoor and outdoor environments.
-  **Hi-Pro™ Polyester** is resistant to salt water, chemical fumes and moisture in more corrosive atmospheres. Typically used for applications requiring superior chemical resistance, excellent abrasion and outdoor UV protection. This coating exceeds protective qualities of Air Dried Heresite and Air Dry Phenolic.
-  **Baked Enamel Decorative Coatings** are heat cured enamels applied as electrostatic powders. Customers can choose from 16 standard decorative colors or color match any color.

Heat Slinger and Shaft Seal (all belt models) - Heat slinger is an aluminum cooling disc mounted on the fan shaft between the inboard bearing and the fan housing. The disc dissipates heat conducted along the fan shaft. The shaft seal with an aluminum rub ring is available for applications where contaminated or high temperature air is being handled.



Vibration Isolators

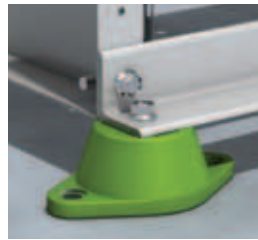
Base-mounted neoprene or spring isolators are available to lessen mechanical vibration and assure quiet operation. Free-standing, restrained and housed spring isolators are also available. Isolators are sized to match the weight of each fan.



Free-Standing Open Spring Mounts - Type 3, 1-inch Deflection

Free-standing spring isolators are unhoused laterally stable steel springs. They provide a minimum horizontal stiffness of 0.8 times the rated vertical

stiffness and provide an additional 50% overload capacity. These isolators are equipped with a top-mounted adjusting bolt and an acoustical non-skid base. Springs are color coded to indicate load capacity.



Rubber Mounts - Type 2, ¼-inch and ½-inch Deflection

Neoprene mountings consist of a steel top plate and base plate completely embedded in colored (oil-resistant) neoprene for easy

identification of capacity. Neoprene mountings are furnished with a tapped hole in the center. This enables the equipment to be bolted securely to the rubber mount.



Housed Spring Mounts Type 4B, 1-inch Deflection

Housed spring isolators consist of steel springs assembled into a telescoping housing with a top-mounted adjusting bolt and an acoustical non-skid base.

Housed spring isolators include resilient inserts to prevent metal-to-metal contact and provide snubbing for side loads. Springs provide an additional 50% overload capacity and are color coded to indicate load capacity.



Restrained Spring Mounts - Type 4A, 1-inch Deflection

Restrained spring isolators consist of laterally stable, free-standing springs assembled into a steel housing. These assemblies

are designed for vertical and horizontal motion restraint. Restrained spring isolators can be used for blocking during equipment installation and are provided with leveling bolts. Springs provide 50% overload capacity and are color coded or identified to indicate load capacity. Restrained spring mounts are recommended for equipment subject to wind loading or large torquing forces.

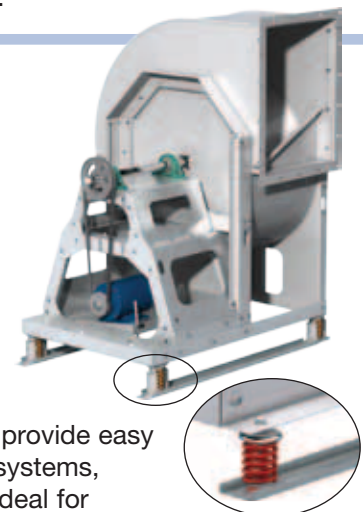
Direct Mount - Type A

No base required. Isolators are attached directly to equipment. Direct isolation can be used if equipment is unitary and rigid without the use of additional support. If there is any doubt whether or not equipment can be supported directly on isolators, use rails, bases or consult the factory.



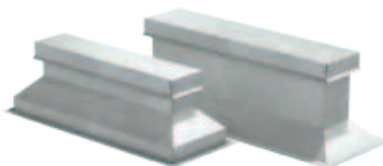
Mounting Rails with Isolators

Isolation mounting rails are available with either rubber mount, free-standing open or restrained spring isolators. The isolators are mounted between aluminum rails that run the length of the fan base. Isolation rails provide easy installation on isolated systems,



Equipment Supports

Models GESS and GESR equipment supports are available for roof mounting of utility fans up to size 36. Equipment supports are available in a number of lengths, widths, heights, and can also be built for a pitched roof.



and are ideal for applications where there is a large overhung load. Mounting rails are available for fans up to size 36.

Selection

The first consideration in any fan selection is the amount of air to be moved and the resistance to this air movement. Air volume requirements are established through specific codes or accepted industry standards. Once the air volume is known, system resistance can be determined by summing up the losses through the system components. Duct layout, duct size, coils, filters, dampers, and fan accessories all affect system resistance. ASHRAE Guide and Data Books and manufacturer's data on individual system components are common sources of information available to the system designer.

In most applications, several fans may meet the required airflow and system resistance conditions. An optimum fan selection requires evaluation of alternative fan types and fan sizes, as they relate to initial cost, operating cost, available space, and allowable sound levels. The relative importance of these facts varies with each system.

Two types of wheels are available:

1. Backward-inclined or airfoil wheels turn at twice the speed of forward-curved fans and feature:

- Higher operating efficiencies
- A non-overloading horsepower curve which reaches a peak near the middle of the normal operation range
- Stronger wheel design allowing for operation at higher static pressures

2. Forward-curved wheels typically have lower performance capabilities compared to the backward inclined and contain:

- Overloading type wheel (meaning that changes in performance can result in significant brake horsepower changes)
- Forward-curved wheels have lower sound levels

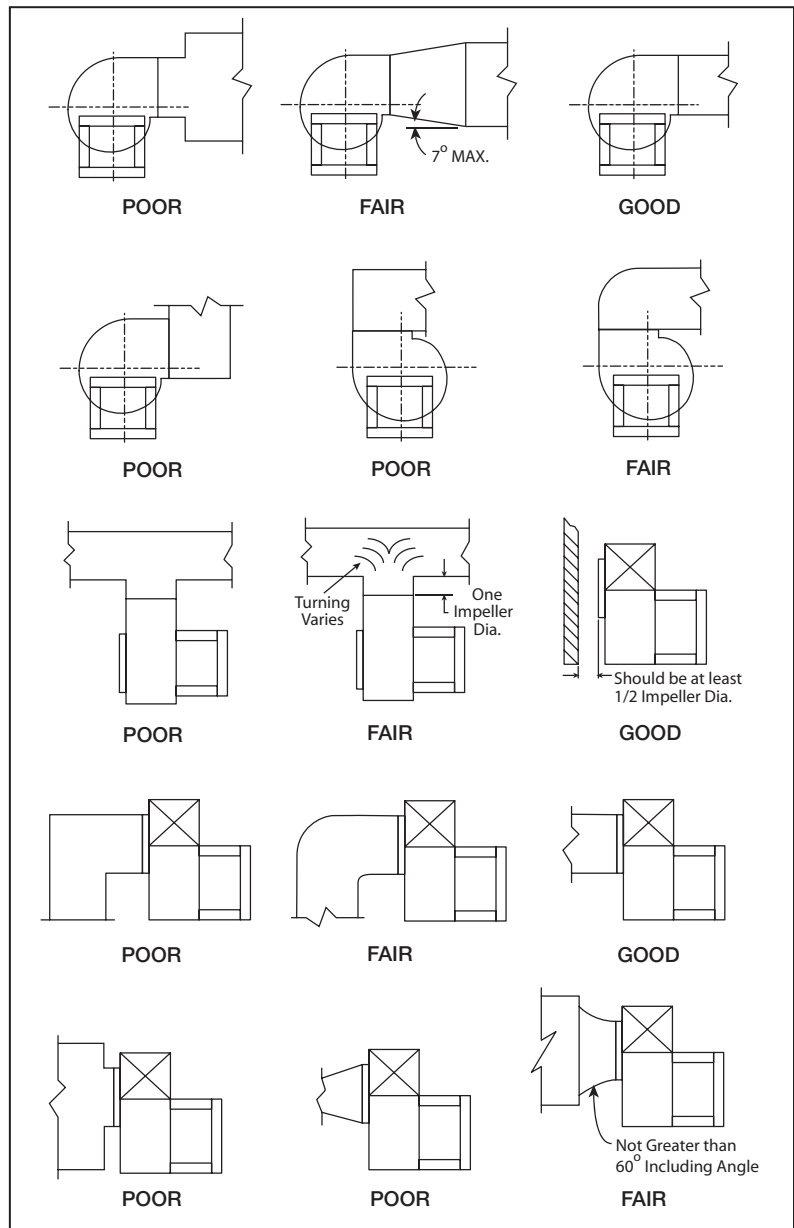
Comprehensive air performance data for these utility fans can be found in the fan tables and fan curves section, starting on page 15.

Effects of Installation on Performance

Fan ratings presented in the performance tables and curves of this catalog are in accordance with AMCA Standard 210 "Laboratory Methods of Testing Fans for Aerodynamic Performance Rating." The AMCA test procedure utilizes an open inlet and a straight outlet duct to assure maximum static regain.

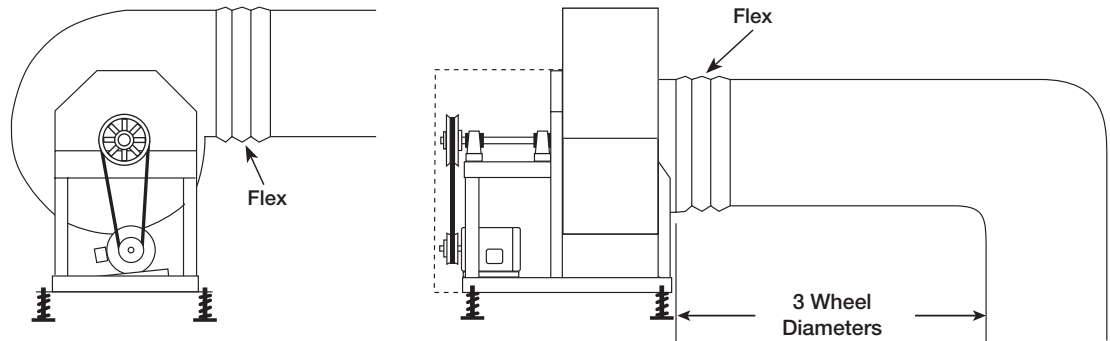
Any installation with inlet or discharge configurations that deviate from this standard may result in reduced fan performance. Restricted or unstable flow at the fan inlet can cause pre rotation of incoming air or uneven loading of the fan wheel yielding large system losses and increased sound levels. Free discharge or turbulent flow in the discharge ductwork will also result in system effect losses.

The examples below show system layouts and inlet and discharge configurations which can affect fan performance.



General Clean Air or Fume Hood (Non-Grease)

The SFD, SFB and SWB are designed for applications ranging from clean air to contaminated air. Typical installations are shown below. Installations must include a means for inspecting, cleaning and servicing the exhaust fan.



SWB, Commercial Kitchen (Grease)

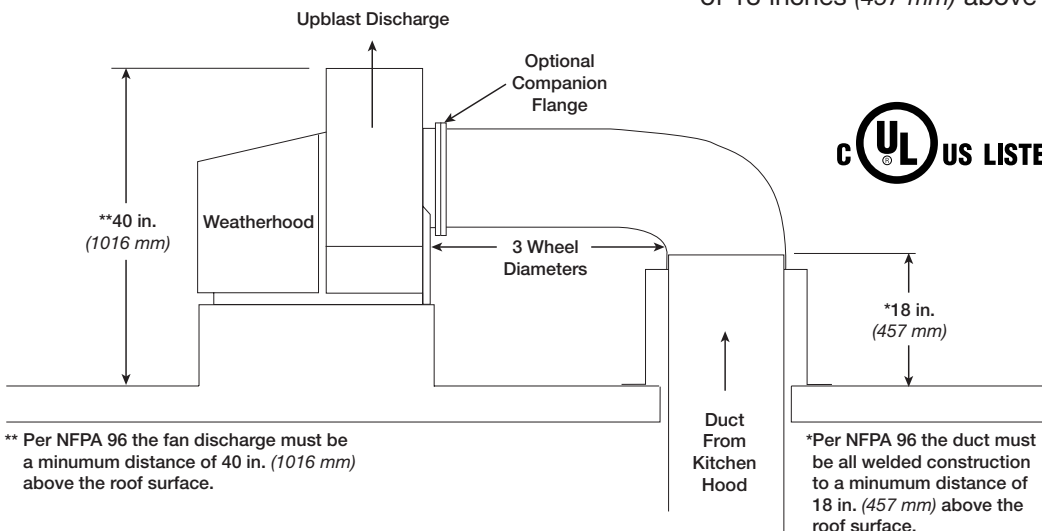
Greenheck's SWB Series 200 and 300 are designed to meet restaurant and foodservice applications. These fans are UL and cUL Listed for grease removal and have been tested under elevated temperature conditions.

Due to high temperatures and grease-laden airstreams in commercial kitchen ventilation, system designers must be aware of governing codes and guidelines. The National Fire Protection Association (NFPA) is the primary source used by many local codes for commercial kitchen ventilation systems. Local code authorities should be consulted before proceeding with any kitchen ventilation project.

Installation must include a means for inspecting, cleaning and servicing the exhaust fan.

Fans selected for grease removal must include a weatherhood, access door and 1-inch (25 mm) drain connection. For grease applications where the fan is mounted indoors, the welded scroll option must be selected. An outlet guard is strongly recommended when the fan discharge is accessible. When an outlet guard is not ordered with the fan, it must be provided by the installer. An upblast discharge is recommended. No dampers are to be used in the system.

The fan discharge must be a minimum of 40 inches (1016 mm) above the roof line and the exhaust duct must be fully welded to a minimum distance of 18 inches (457 mm) above the roof surface.

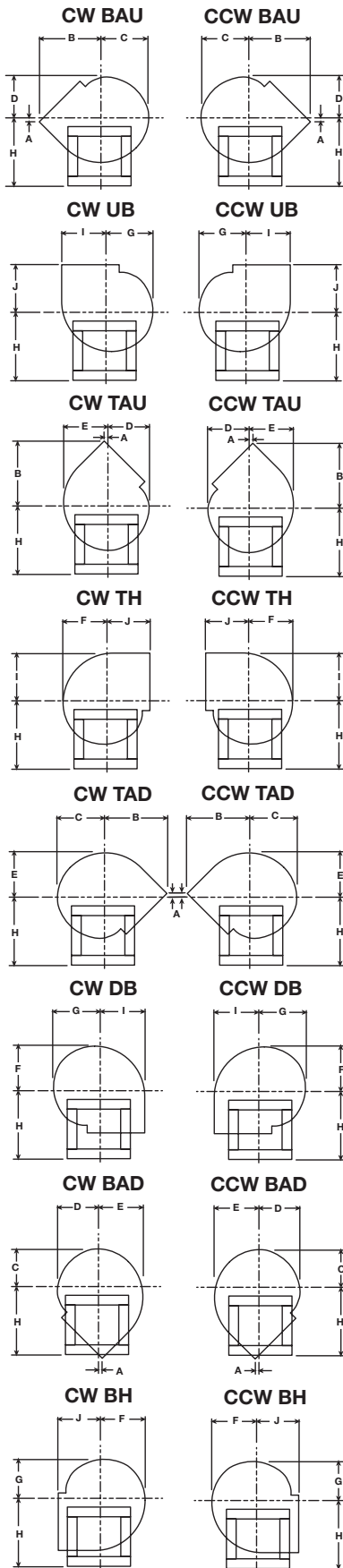


SWB Series 200 and 300 models are listed for grease removal (UL/cUL 762). File no. MH11745

** Per NFPA 96 the fan discharge must be a minimum distance of 40 in. (1016 mm) above the roof surface.

*Per NFPA 96 the duct must be all welded construction to a minimum distance of 18 in. (457 mm) above the roof surface.

SFD and SFB Discharge Positions and Dimensional Data



SFD Dimensions										
Unit Size	A	B	C	D	E	F	G	H	I	J
SFD-6	1 ¹ / ₁₆ (27)	8 ⁷ / ₁₆ (214)	5 ⁵ / ₁₆ (141)	4 ³ / ₄ (121)	6 ¹ / ₂ (165)	6 ¹ / ₁₆ (154)	5 ³ / ₁₆ (132)	9 (230)	7 (178)	5 ¹ / ₄ (133)
SFD-7.5	1 ¹ / ₄ (32)	10 ¹ / ₄ (260)	6 ¹³ / ₁₆ (173)	5 ¹³ / ₁₆ (148)	7 ³ / ₄ (197)	7 ¹ / ₄ (184)	6 ¹ / ₄ (159)	9 ³ / ₈ (245)	8 ¹ / ₂ (216)	6 ³ / ₄ (171)
SFD-9	1 ⁵ / ₁₆ (33)	11 ¹³ / ₁₆ (300)	7 ³ / ₄ (197)	6 ¹ / ₂ (165)	8 ¹⁵ / ₁₆ (227)	8 ⁵ / ₁₆ (211)	7 ³ / ₁₆ (183)	10 ⁷ / ₈ (274)	9 ¹ / ₂ (241)	7 ¹ / ₂ (191)
SFD-10	1 ¹⁵ / ₁₆ (49)	14 (356)	9 ¹ / ₄ (235)	7 ¹³ / ₁₆ (198)	10 ³ / ₄ (273)	10 ¹ / ₁₆ (256)	8 ¹ / ₂ (216)	12 ³ / ₄ (324)	11 ¹ / ₂ (292)	8 ¹ / ₂ (216)

All dimensions in inches (millimeters).

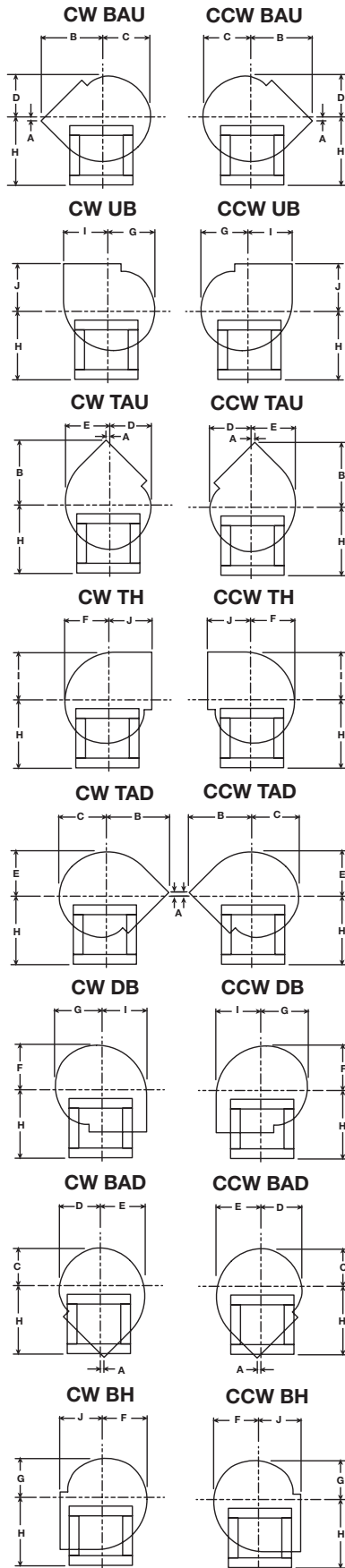
SFB Dimensions										
Unit Size	A	B	C	D	E	F	G	H	I	J
SFB-9	1 ⁹ / ₈ (35)	12 ¹¹ / ₁₆ (322)	8 ¹ / ₄ (210)	7 (178)	9 ¹ / ₂ (241)	8 ¹⁵ / ₁₆ (227)	7 ⁷ / ₈ (194)	13 ³ / ₅ (350)	10 ¹ / ₄ (260)	8 (203)
SFB-10	1 ¹ / ₁₆ (37)	14 ¹ / ₂ (368)	9 ⁹ / ₁₆ (237)	7 ¹³ / ₁₆ (198)	10 ³ / ₄ (273)	10 ¹ / ₁₆ (256)	8 ⁸ / ₁₆ (217)	15 ¹ / ₆ (385)	11 ¹ / ₂ (292)	9 ¹ / ₄ (235)
SFB-12	2 ¹ / ₄ (57)	16 (406)	10 ¹¹ / ₁₆ (271)	9 ¹ / ₁₆ (230)	12 ³ / ₈ (314)	11 ¹ / ₁₆ (294)	9 ⁷ / ₈ (251)	15 ¹ / ₆ (385)	13 ¹ / ₄ (337)	9 ³ / ₄ (248)
SFB-15	2 ¹¹ / ₁₆ (68)	17 ⁹ / ₁₆ (446)	11 ¹³ / ₁₆ (300)	9 ¹⁵ / ₁₆ (252)	13 ¹¹ / ₁₆ (348)	12 ¹¹ / ₁₆ (322)	10 ⁷ / ₈ (276)	16 ³ / ₄ (426)	14 ⁵ / ₈ (371)	10 ⁵ / ₈ (270)
SFB-18	4 ¹ / ₁₆ (103)	23 ³ / ₈ (594)	15 ¹³ / ₁₆ (402)	13 ¹ / ₄ (337)	18 ⁵ / ₁₆ (465)	17 ¹ / ₈ (435)	14 ⁵ / ₈ (371)	22 ¹ / ₃ (567)	19 ⁵ / ₈ (498)	13 ³ / ₄ (349)
SFB-20	4 ⁹ / ₁₆ (116)	25 ¹ / ₂ (648)	17 ¹ / ₄ (438)	14 ¹ / ₂ (368)	20 ¹ / ₁₆ (510)	18 ³ / ₄ (476)	16 ¹ / ₁₆ (408)	24 ¹ / ₆ (621)	21 ¹ / ₂ (546)	14 ⁷ / ₈ (378)
SFB-22	5 ⁵ / ₁₆ (135)	28 (711)	19 ¹ / ₁₆ (484)	16 (406)	22 ¹ / ₈ (562)	20 ³ / ₄ (527)	17 ¹¹ / ₁₆ (449)	28 ³ / ₈ (723)	23 ³ / ₄ (603)	16 (406)
SFB-25	6 ¹ / ₁₆ (154)	30 ¹¹ / ₁₆ (779)	21 ¹ / ₁₆ (535)	17 ³ / ₄ (451)	24 ⁷ / ₁₆ (621)	22 ⁷ / ₈ (581)	19 ⁹ / ₁₆ (497)	31 ³ / ₅ (803)	26 ¹ / ₄ (667)	17 ¹ / ₂ (445)
SFB-27	5 (127)	34 (864)	22 (559)	19 (483)	26 ¹ / ₂ (673)	24 ¹ / ₂ (622)	20 ⁷ / ₈ (530)	33 (838)	28 ³ / ₄ (730)	18 ³ / ₈ (479)
SFB-30	6 ³ / ₈ (168)	38 ¹ / ₈ (968)	25 (635)	21 ¹ / ₈ (537)	29 (737)	27 ¹ / ₄ (692)	23 ¹ / ₄ (591)	36 ³ / ₅ (930)	31 ¹ / ₈ (803)	21 (533)

All dimensions in inches (millimeters).

Images are viewed from the drive side of fan.

SWB Discharge

Positions and Dimensional Data



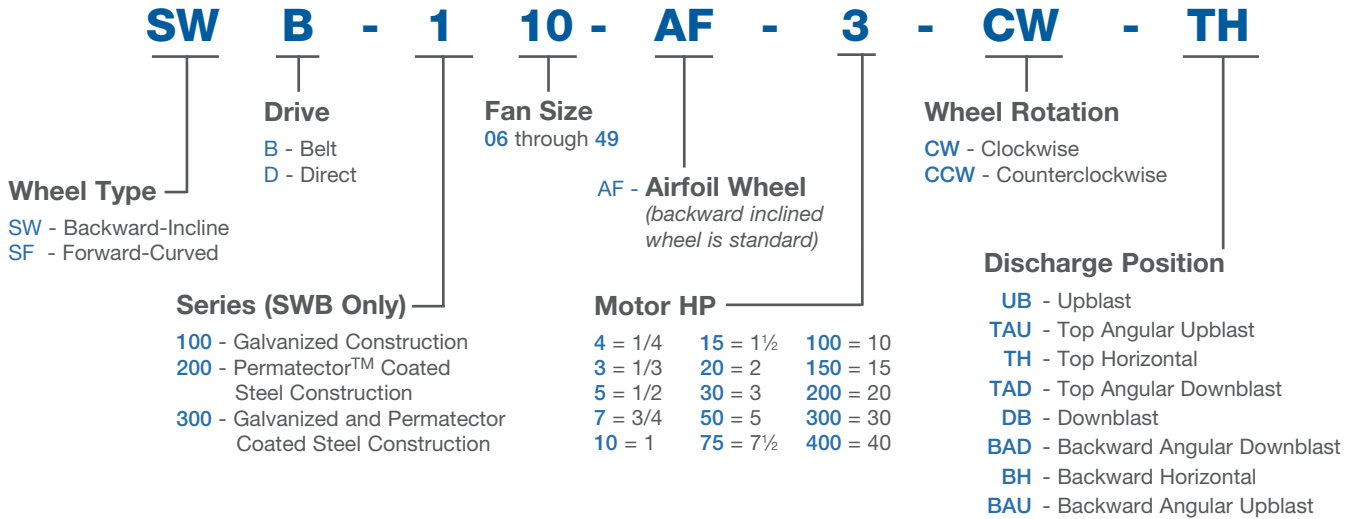
SWB Dimensions										
Size	A	B	C	D	E	F	G	H	I	J
106	1 ¹⁵ / ₁₆ (49)	14 ¹ / ₈ (359)	9 ¹ / ₄ (235)	7 ¹³ / ₁₆ (198)	10 ³ / ₄ (273)	10 ¹ / ₈ (257)	8 ⁵ / ₈ (219)	15 ¹ / ₈ (384)	11 ¹ / ₂ (292)	8 ⁵ / ₈ (219)
107	1 ¹⁵ / ₁₆ (49)	14 ¹ / ₈ (359)	9 ¹ / ₄ (235)	7 ¹³ / ₁₆ (198)	10 ³ / ₄ (273)	10 ¹ / ₈ (257)	8 ⁵ / ₈ (219)	15 ¹ / ₈ (384)	11 ¹ / ₂ (292)	8 ⁵ / ₈ (219)
108	1 ¹⁵ / ₁₆ (49)	14 ¹ / ₈ (359)	9 ¹ / ₄ (235)	7 ¹³ / ₁₆ (198)	10 ³ / ₄ (273)	10 ¹ / ₈ (257)	8 ⁵ / ₈ (219)	15 ¹ / ₈ (384)	11 ¹ / ₂ (292)	8 ⁵ / ₈ (219)
110	1 ¹⁵ / ₁₆ (49)	14 ¹ / ₈ (359)	9 ¹ / ₄ (235)	7 ¹³ / ₁₆ (198)	10 ³ / ₄ (273)	10 ¹ / ₈ (257)	8 ⁵ / ₈ (219)	15 ¹ / ₈ (384)	11 ¹ / ₂ (292)	8 ⁵ / ₈ (219)
113	2 ¹¹ / ₁₆ (68)	17 ⁵ / ₈ (448)	11 ¹ / ₄ (298)	9 ⁷ / ₈ (251)	13 ⁵ / ₈ (346)	12 ³ / ₄ (324)	10 ⁷ / ₈ (276)	16 ⁵ / ₈ (422)	14 ⁵ / ₈ (371)	10 ⁵ / ₈ (270)
115	3 ¹ / ₈ (79)	19 ¹ / ₂ (495)	13 ¹ / ₁₆ (332)	11 (279)	15 ¹ / ₈ (384)	14 ¹ / ₈ (359)	12 ¹ / ₈ (308)	18 ¹ / ₂ (470)	16 ¹ / ₄ (413)	11 ⁵ / ₈ (295)
116	3 ¹ / ₂ (89)	21 ¹ / ₄ (540)	14 ⁹ / ₁₆ (364)	12 (305)	16 ⁹ / ₁₆ (406)	15 ¹ / ₂ (394)	13 ¹ / ₄ (337)	20 ⁵ / ₈ (518)	17 ¹ / ₄ (451)	12 ¹ / ₂ (318)
118	4 ¹ / ₁₆ (103)	23 ³ / ₈ (594)	15 ¹³ / ₁₆ (402)	13 ¹ / ₄ (337)	18 ⁵ / ₁₆ (465)	17 ¹ / ₈ (435)	14 ⁵ / ₈ (371)	22 ³ / ₈ (568)	19 ⁵ / ₈ (498)	13 ³ / ₄ (349)
120	4 ⁹ / ₁₆ (116)	25 ¹ / ₂ (648)	17 ¹ / ₄ (438)	14 ¹ / ₂ (368)	20 ¹ / ₁₆ (510)	18 ³ / ₄ (476)	16 ¹ / ₈ (410)	24 ¹ / ₂ (622)	21 ¹ / ₂ (546)	14 ⁷ / ₈ (378)
124	5 ¹³ / ₁₆ (402)	30 ¹⁵ / ₁₆ (786)	21 ¹ / ₁₆ (535)	17 ³ / ₄ (451)	24 ¹ / ₁₆ (621)	22 ⁷ / ₈ (581)	19 ⁹ / ₁₆ (497)	31 ¹ / ₂ (800)	26 ¹ / ₄ (667)	17 ³ / ₄ (451)
206	1 ¹⁵ / ₁₆ (49)	14 ¹ / ₈ (359)	9 ¹ / ₄ (235)	7 ¹³ / ₁₆ (198)	10 ³ / ₄ (273)	10 ¹ / ₈ (257)	8 ⁵ / ₈ (219)	15 ¹ / ₈ (384)	11 ¹ / ₂ (292)	8 ⁵ / ₈ (219)
207	1 ¹⁵ / ₁₆ (49)	14 ¹ / ₈ (359)	9 ¹ / ₄ (235)	7 ¹³ / ₁₆ (198)	10 ³ / ₄ (273)	10 ¹ / ₈ (257)	8 ⁵ / ₈ (219)	15 ¹ / ₈ (384)	11 ¹ / ₂ (292)	8 ⁵ / ₈ (219)
208	1 ¹⁵ / ₁₆ (49)	14 ¹ / ₈ (359)	9 ¹ / ₄ (235)	7 ¹³ / ₁₆ (198)	10 ³ / ₄ (273)	10 ¹ / ₈ (257)	8 ⁵ / ₈ (219)	15 ¹ / ₈ (384)	11 ¹ / ₂ (292)	8 ⁵ / ₈ (219)
210	1 ¹⁵ / ₁₆ (49)	14 ¹ / ₈ (359)	9 ¹ / ₄ (235)	7 ¹³ / ₁₆ (198)	10 ³ / ₄ (273)	10 ¹ / ₈ (257)	8 ⁵ / ₈ (219)	15 ¹ / ₈ (384)	11 ¹ / ₂ (292)	8 ⁵ / ₈ (219)
212	2 ⁵ / ₁₆ (59)	16 ¹ / ₈ (410)	10 ¹¹ / ₁₆ (271)	9 (229)	12 ³ / ₈ (314)	11 ⁵ / ₈ (295)	9 ¹⁵ / ₁₆ (252)	15 ¹ / ₈ (384)	13 ³ / ₄ (337)	9 ³ / ₄ (248)
213	2 ¹¹ / ₁₆ (68)	17 ⁵ / ₈ (448)	11 ¹ / ₄ (298)	9 ⁷ / ₈ (251)	13 ³ / ₈ (346)	12 ³ / ₄ (324)	10 ⁷ / ₈ (276)	16 ⁵ / ₈ (422)	14 ⁵ / ₈ (371)	10 ⁵ / ₈ (270)
215	3 ¹ / ₈ (79)	19 ¹ / ₂ (495)	13 ¹ / ₁₆ (332)	11 (279)	15 ¹ / ₈ (384)	14 ¹ / ₈ (359)	12 ¹ / ₈ (308)	18 ¹ / ₂ (470)	16 ¹ / ₄ (413)	11 ⁵ / ₈ (295)
216	3 ¹ / ₂ (89)	21 ¹ / ₄ (540)	14 ⁹ / ₁₆ (364)	12 (305)	16 ⁹ / ₁₆ (406)	15 ¹ / ₂ (394)	13 ¹ / ₄ (337)	20 ⁵ / ₈ (518)	17 ¹ / ₄ (451)	12 ¹ / ₂ (318)
218	4 ¹ / ₁₆ (103)	23 ³ / ₈ (594)	15 ¹³ / ₁₆ (402)	13 ¹ / ₄ (337)	18 ⁵ / ₁₆ (465)	17 ¹ / ₈ (435)	14 ⁵ / ₈ (371)	22 ³ / ₈ (568)	19 ⁵ / ₈ (498)	13 ³ / ₄ (349)
220	4 ⁹ / ₁₆ (116)	25 ¹ / ₂ (648)	17 ¹ / ₄ (438)	14 ¹ / ₂ (368)	20 ¹ / ₁₆ (510)	18 ³ / ₄ (476)	16 ¹ / ₈ (410)	24 ¹ / ₂ (622)	21 ¹ / ₂ (546)	14 ⁷ / ₈ (378)
222	5 ³ / ₁₆ (132)	28 ¹ / ₁₆ (713)	19 ¹ / ₁₆ (484)	16 (406)	22 ¹ / ₈ (562)	20 ⁵ / ₈ (524)	17 ¹¹ / ₁₆ (449)	28 ³ / ₄ (730)	23 ³ / ₄ (603)	16 ¹ / ₄ (413)
224	5 ¹³ / ₁₆ (402)	30 ¹⁵ / ₁₆ (786)	21 ¹ / ₁₆ (535)	17 ³ / ₄ (451)	24 ¹ / ₁₆ (621)	22 ⁷ / ₈ (581)	19 ⁹ / ₁₆ (497)	31 ¹ / ₂ (800)	26 ¹ / ₄ (667)	17 ³ / ₄ (451)
327	5 ¹ / ₈ (130)	35 (889)	23 ¹ / ₄ (591)	19 ⁵ / ₈ (498)	26 ¹ / ₈ (683)	25 (635)	21 ¹ / ₂ (546)	33 (838)	28 ³ / ₄ (730)	21 ¹ / ₄ (540)
330	5 ³ / ₄ (146)	38 ³ / ₈ (975)	25 ⁵ / ₈ (651)	21 ⁵ / ₈ (549)	29 ¹ / ₄ (756)	27 ⁵ / ₈ (702)	23 ³ / ₄ (603)	36 ⁵ / ₈ (930)	31 ⁵ / ₈ (803)	23 ¹ / ₈ (587)
333	6 ³ / ₄ (171)	42 ¹ / ₈ (1070)	28 ³ / ₈ (721)	23 ¹³ / ₁₆ (605)	32 ¹³ / ₁₆ (833)	30 ⁹ / ₁₆ (776)	26 ¹ / ₁₆ (662)	40 (1016)	34 ⁹ / ₁₆ (878)	25 (635)
336	7 ¹³ / ₁₆ (198)	46 ⁹ / ₁₆ (1176)	31 ¹ / ₁₆ (795)	26 ⁹ / ₁₆ (668)	36 ³ / ₁₆ (919)	33 ³ / ₄ (857)	28 ¹³ / ₁₆ (732)	44 ¹ / ₂ (1130)	38 ¹ / ₄ (972)	27 ¹ / ₄ (692)
340	8 ¹ / ₈ (225)	50 ¹ / ₄ (1289)	34 ¹ / ₁₆ (875)	28 ¹⁵ / ₁₆ (735)	39 ¹⁵ / ₁₆ (1014)	37 ⁵ / ₈ (953)	31 ¹¹ / ₁₆ (805)	47 (1194)	42 ¹ / ₁₆ (1072)	29 ⁵ / ₈ (752)
344	10 ¹ / ₈ (257)	55 ¹³ / ₁₆ (1418)	38 (965)	31 ¹³ / ₁₆ (811)	44 ¹ / ₁₆ (1119)	41 ¹ / ₁₆ (1043)	35 (889)	52 (1321)	46 ⁵ / ₈ (1184)	32 ⁵ / ₁₆ (821)
349	11 ³ / ₈ (289)	61 ¹³ / ₁₆ (1554)	41 ¹³ / ₁₆ (1062)	35 ⁵ / ₈ (892)	48 ⁷ / ₁₆ (1230)	45 ⁵ / ₈ (1146)	38 ⁷ / ₁₆ (976)	57 (1448)	51 ¹ / ₁₆ (1303)	35 ³ / ₁₆ (894)

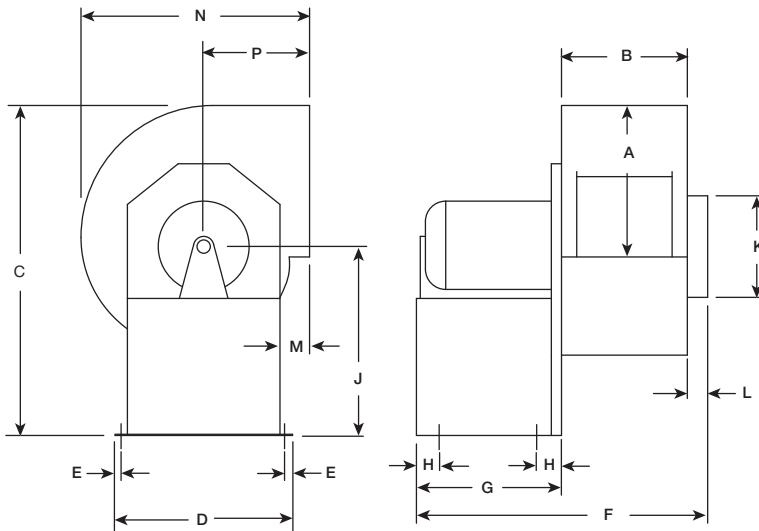
Images are viewed from the drive side of fan.

All dimensions in inches (millimeters).

Model Number Code

The model number code is designed to completely identify the fan. The correct code letters must be specified to designate the correct construction. The remainder of the model number is determined by the size and performance.





Motor RPM (Direct Drive only)	
A = 1725	D = 1550
B = 1140	E = 1050
C = 860	G = 1300
International (See CAPS for performance)	
K = 950 RPM	J = 1475 RPM

DIMENSIONAL DATA

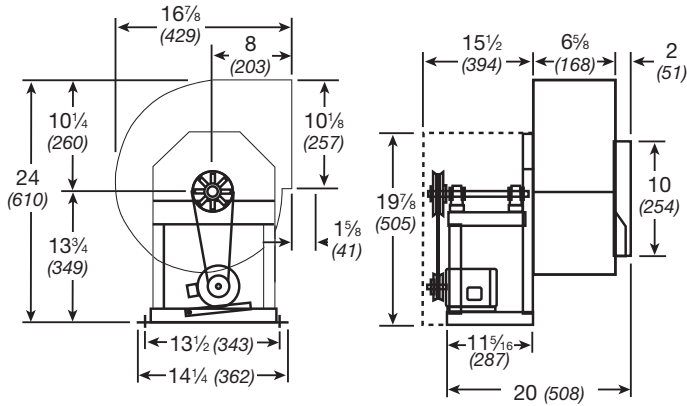
Model SFD	A	B	C	D	E	F	G	H	J	K	L	M	N	P	Max. Motor Frame Size	*Unit Weight
6	7 ³ / ₈ (187)	5 ¹ / ₄ (133)	16 (406)	11 (279)	5/8 (16)	14 ¹ / ₁₆ (373)	8 ³ / ₁₆ (208)	1 ¹ / ₁₆ (27)	9 ¹ / ₁₆ (230)	6 (152)	1 ¹ / ₄ (32)	7/8 (22)	11 ¹ / ₄ (286)	5 ³ / ₁₆ (132)	56	30 (14)
7.5	9 (229)	5 ¹ / ₄ (133)	18 ¹ / ₁₆ (459)	12 ¹ / ₄ (311)	5/8 (16)	14 ⁵ / ₁₆ (364)	8 ¹ / ₈ (206)	1 ¹ / ₁₆ (27)	9 ⁵ / ₈ (244)	8 (203)	1 ¹ / ₄ (32)	1 ¹ / ₈ (29)	13 ¹¹ / ₁₆ (348)	6 ³ / ₈ (162)	56	40 (18)
9	10 ¹ / ₈ (257)	6 ¹ / ₄ (159)	20 ⁵ / ₁₆ (516)	13 ³ / ₄ (349)	5/8 (16)	17 ⁷ / ₈ (454)	10 ³ / ₈ (264)	1 ¹ / ₁₆ (27)	10 ³ / ₄ (273)	10 (254)	1 ¹ / ₄ (32)	1 ³ / ₈ (35)	15 ¹⁵ / ₁₆ (402)	7 ⁷ / ₁₆ (189)	145T	75 (34)
10	12 ¹ / ₈ (308)	6 ³ / ₄ (171)	24 ⁵ / ₁₆ (618)	16 ¹ / ₄ (413)	9/16 (14)	19 ³ / ₈ (492)	11 ³ / ₈ (289)	1 ¹ / ₁₆ (27)	12 ³ / ₄ (324)	12 (305)	1 ¹ / ₄ (32)	1 ³ / ₈ (35)	18 ⁵ / ₈ (473)	8 ¹ / ₂ (216)	184T	113 (51)

All dimensions in inches (millimeters) and weight in pounds (kilograms). *Approximate unit weight with largest frame size motor (60 Hz).

Model Number	Motor HP	Fan RPM		Static Pressure in Inches wg												
				0.125	0.25	0.375	0.5	0.75	1	1.25	1.5	2	2.5			
SFD-6-6B	1/6	1140	CFM	407	338	232										
			BHP	0.06	0.05	0.03										
			Sones	6.7	6.0	4.7										
SFD-6-4A	1/4	1725	CFM	667	628	585	541	424								
			BHP	0.24	0.22	0.20	0.17	0.13								
			Sones	13.6	12.8	12.3	11.7	10.5								
SFD-7.5-6B	1/6	1140	CFM	672	612	549	467									
			BHP	0.16	0.14	0.13	0.10									
			Sones	10.6	9.8	9.4	8.6									
SFD-7.5-5A	1/2	1725	CFM	1062	1028	988	949	869	775	636						
			BHP	0.59	0.56	0.53	0.50	0.46	0.38	0.30						
			Sones	20	18.6	16.8	15.8	14.1	12.7	11.3						
SFD-9-4C	1/4	860	CFM	839	748	645	487									
			BHP	0.18	0.15	0.12	0.09									
			Sones	9.2	7.8	7.0	6.6									
SFD-9-5B	1/2	1140	CFM	1159	1097	1028	957	782								
			BHP	0.46	0.42	0.38	0.34	0.26								
			Sones	16.1	14.9	14.3	13.6	12.3								
SFD-9-15A	1 ¹ / ₂	1725	CFM	1806	1765	1725	1683	1595	1502	1407	1298	989				
			BHP	1.64	1.59	1.54	1.48	1.36	1.24	1.13	1.01	0.70				
			Sones	31	29	28	27	25	22	21	21	19.3				
SFD-10-3C	1/3	860	CFM	1259	1176	1085	965									
			BHP	0.36	0.32	0.29	0.25									
			Sones	12.3	11.3	10.0	9.2									
SFD-10-7B	3/4	1140	CFM	1713	1653	1592	1528	1378	1163							
			BHP	0.86	0.82	0.77	0.72	0.64	0.52							
			Sones	19.4	18.5	17.6	17.0	15.7	13.9							
SFD-10-30A	3	1725	CFM	2641	2603	2564	2525	2444	2362	2275	2179	1942	1621			
			BHP	3.03	2.98	2.93	2.87	2.73	2.60	2.44	2.32	2.01	1.62			
			Sones	39	37	36	35	33	31	30	29	27	25			

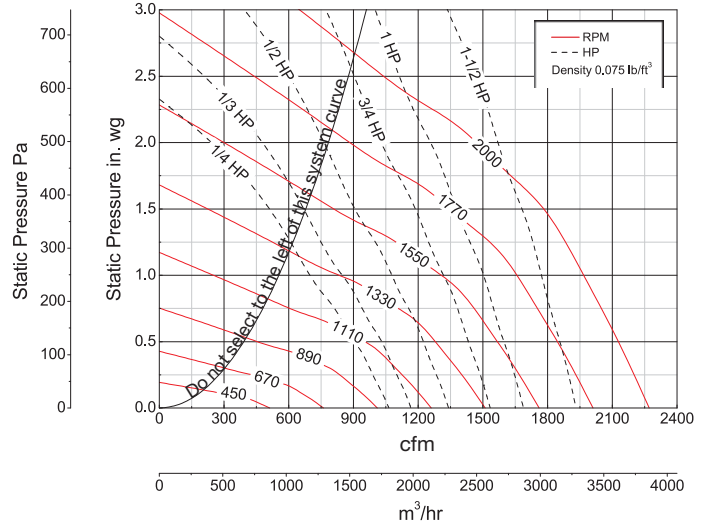
Performance certified is for installation Type B - Free inlet, Ducted outlet. Performance ratings do not include the effects of appurtenances (accessories). The AMCA Certified Ratings Seal applies to air performance only.

SFB-9 - Belt Drive



Wheel Diameter = 9 1/2 (241)
 Shaft Diameter = 3/4 (19)
 Outlet Area = 0.454 ft² (0.042 m²)
 ^Approximate Unit Weight = 120 lb. (54 kg)

All dimensions in inches (millimeters)
 For additional discharge positions see page 12
 ^Weight shown is largest cataloged Open Drip Proof motor



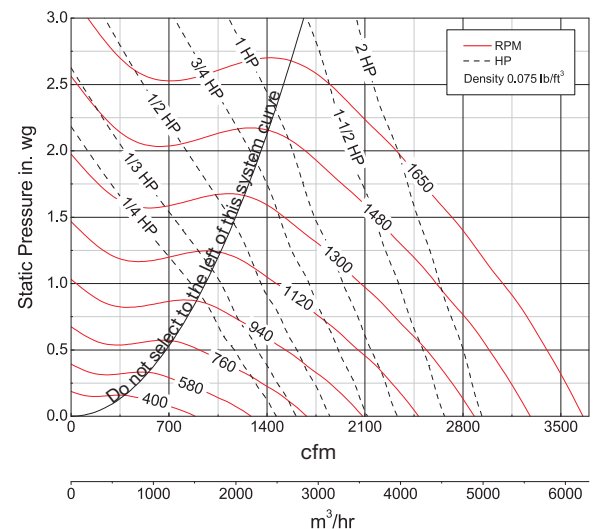
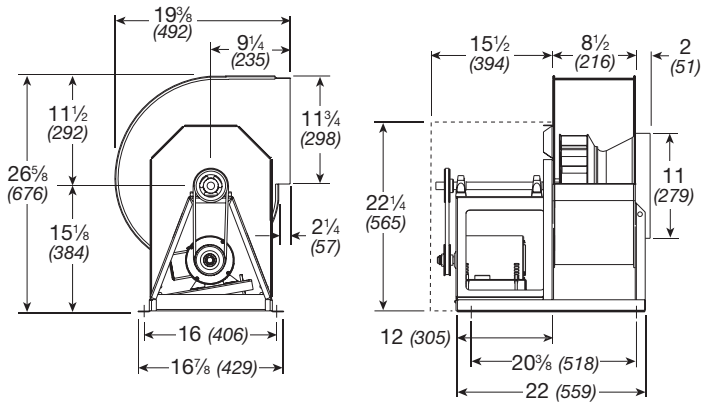
Maximum BHP at given RPM = $(RPM/1747)^3$
 (Maximum KW at a given RPM = $(RPM/1926)^3$)
 Maximum RPM = 2000 and Minimum RPM = 450
 Tip Speed (ft/min.) = RPM x 2.49
 (Tip Speed (m/s) = RPM x 0.0126)
 Maximum Motor Frame Size = 145T

SFB-9

CFM	OV		Static Pressure in Inches wg										
			0.25	0.5	0.75	1	1.25	1.5	1.75	2	2.25	2.5	
360	792	RPM	644										
		BHP	0.03										
		Sones	6.3										
460	1013	RPM	681	891									
		BHP	0.05	0.08									
		Sones	6.8	11.0									
560	1233	RPM	728	930	1090	1225							
		BHP	0.07	0.11	0.15	0.19							
		Sones	7.5	10.8	10.1	10.3							
660	1453	RPM	780	966	1129	1264	1382						
		BHP	0.09	0.14	0.18	0.23	0.28						
		Sones	8.5	10.7	10.3	10.6	11.0						
760	1674	RPM	838	1013	1166	1303	1422	1528	1628				
		BHP	0.13	0.18	0.23	0.28	0.34	0.39	0.44				
		Sones	9.8	10.6	10.7	11.0	11.8	13.2	14.5				
860	1894	RPM	909	1064	1207	1340	1461	1568	1667	1758	1845		
		BHP	0.17	0.23	0.28	0.34	0.40	0.46	0.52	0.58	0.64		
		Sones	11.1	10.9	11.1	11.4	12.6	14.0	15.4	17.0	18.6		
960	2114	RPM	983	1118	1256	1378	1498	1608	1706	1798	1883	1965	
		BHP	0.23	0.28	0.34	0.40	0.47	0.54	0.61	0.68	0.75	0.82	
		Sones	11.1	11.5	11.8	12.1	13.4	14.9	16.4	18.0	19.7	21	
1060	2334	RPM	1059	1174	1306	1426	1534	1644	1745	1837	1923		
		BHP	0.30	0.35	0.42	0.49	0.55	0.63	0.71	0.78	0.86		
		Sones	12.0	12.2	12.6	13.2	14.3	15.8	17.5	19.1	21		
1260	2775	RPM	1216	1318	1417	1528	1631	1728	1818	1911	1999		
		BHP	0.48	0.54	0.61	0.69	0.77	0.84	0.92	1.01	1.10		
		Sones	14.2	14.3	14.6	15.7	16.8	18.1	19.5	21	23		
1360	2995	RPM	1297	1392	1482	1583	1682	1777	1866	1949			
		BHP	0.59	0.66	0.72	0.81	0.89	0.98	1.06	1.14			
		Sones	15.7	15.7	16.1	17.0	18.1	19.5	21	22			
1460	3215	RPM	1378	1468	1554	1639	1736	1827	1915	1998			
		BHP	0.71	0.79	0.86	0.94	1.03	1.13	1.22	1.31			
		Sones	17.3	17.2	17.6	18.3	19.6	21	22	24			

Performance certified is for installation Type B - Free inlet, Ducted outlet. Power rating (Bhp) does not include transmission losses. Performance ratings do not include the effects of appurtenances (accessories). The AMCA Certified Ratings Seal applies to air performance only.

SFB-10 - Belt Drive



Wheel Diameter = $10\frac{5}{8}$ (270)
 Shaft Diameter = $3/4$ (19)
 Outlet Area = 0.705 ft^2 (0.065 m^2)
 ^Approximate Unit Weight = 130 lb. (59 kg)

All dimensions in inches (millimeters)
 For additional discharge positions see page 12
 ^Weight shown is largest cataloged Open Drip Proof motor

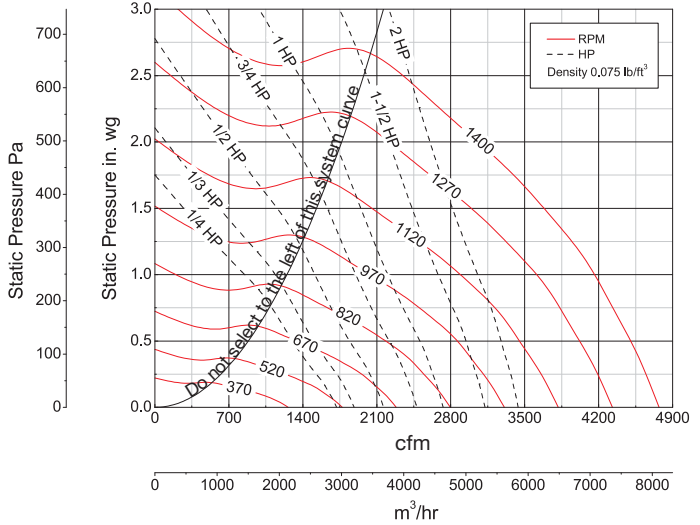
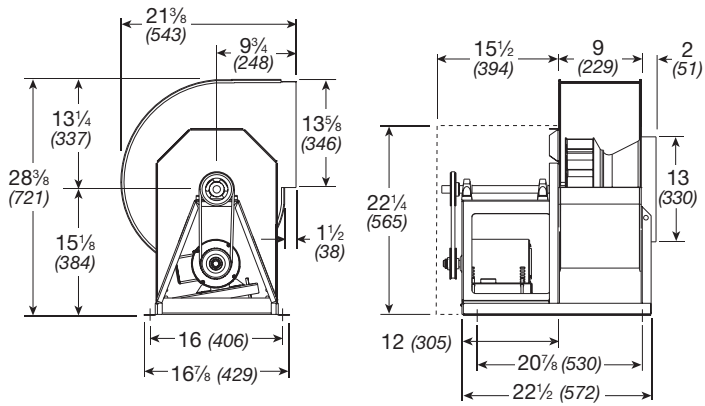
Maximum BHP at given RPM = $(\text{RPM}/1310)^3$
 (Maximum KW at a given RPM = $(\text{RPM}/1444)^3$)
 Maximum RPM = 1650 and Minimum RPM = 400
 Tip Speed (ft/min.) = RPM x 2.78
 (Tip Speed (m/s) = RPM x 0.0141)
 Maximum Motor Frame Size = 145T

SFB-10

CFM	OV		Static Pressure in Inches wg												
			0.25	0.5	0.75	1	1.25	1.5	1.75	2	2.25	2.5			
600	851	RPM	526												
		BHP	0.05												
		Sones	5.6												
790	1121	RPM	575	730											
		BHP	0.08	0.12											
		Sones	6.2	9.1											
980	1390	RPM	633	777	897	1013									
		BHP	0.13	0.18	0.23	0.30									
		Sones	7.1	10.3	10.3	10.2									
1170	1660	RPM	693	828	944	1045	1144								
		BHP	0.19	0.25	0.32	0.38	0.45								
		Sones	8.3	10.7	10.3	10.6	10.9								
1360	1930	RPM	760	887	994	1092	1181	1263	1349	1430					
		BHP	0.27	0.35	0.42	0.50	0.57	0.64	0.73	0.81					
		Sones	9.9	10.7	10.7	11.0	11.3	12.0	13.3	14.7					
1550	2199	RPM	828	946	1049	1142	1229	1309	1383	1456	1531	1603			
		BHP	0.37	0.46	0.54	0.63	0.73	0.81	0.89	0.97	1.02	1.17			
		Sones	11.1	11.0	11.3	11.6	12.0	13.0	14.2	15.5	17.0	18.7			
1740	2469	RPM	898	1009	1109	1196	1279	1357	1430	1499	1564	1629			
		BHP	0.50	0.60	0.70	0.79	0.89	1.00	1.09	1.18	1.27	1.37			
		Sones	11.4	11.7	12.1	12.4	13.1	14.2	15.5	16.8	18.1	19.9			
1930	2739	RPM	973	1077	1169	1256	1332	1407	1479	1546	1611				
		BHP	0.66	0.77	0.87	0.99	1.08	1.20	1.32	1.43	1.53				
		Sones	12.4	12.7	13.0	13.6	14.5	15.6	16.8	18.1	19.8				
2120	3008	RPM	1050	1145	1232	1316	1393	1461	1529	1596					
		BHP	0.85	0.97	1.09	1.21	1.33	1.43	1.56	1.69					
		Sones	13.8	13.9	14.1	15.0	16.0	17.1	18.3	19.8					
2310	3278	RPM	1128	1214	1299	1376	1452	1522	1585	1647					
		BHP	1.08	1.21	1.34	1.46	1.59	1.72	1.84	1.97					
		Sones	15.3	15.2	15.6	16.5	17.6	18.8	20	22					
2500	3548	RPM	1207	1285	1368	1441	1512	1581	1645						
		BHP	1.36	1.48	1.63	1.76	1.90	2.04	2.18						
		Sones	17.1	16.9	17.4	18.3	19.4	21	22						

Performance certified is for installation Type B - Free inlet, Ducted outlet. Power rating (Bhp) does not include transmission losses. Performance ratings do not include the effects of appurtenances (accessories). The AMCA Certified Ratings Seal applies to air performance only.

SFB-12 - Belt Drive



Wheel Diameter = 12⁵/₈ (321)
 Shaft Diameter = 3/4 (19)
 Outlet Area = 0.856 ft² (0.08 m²)
 ^Approximate Unit Weight = 147 lb. (67 kg)

All dimensions in inches (millimeters)
 For additional discharge positions see page 12
 ^Weight shown is largest cataloged Open Drip Proof motor

Maximum BHP at given RPM = (RPM/1111)³
 (Maximum KW at a given RPM = (RPM/1225)³)
 Maximum RPM = 1400 and Minimum RPM = 370
 Tip Speed (ft/min.) = RPM x 3.30
 (Tip Speed (m/s) = RPM x 0.0168)
 Maximum Motor Frame Size = 145T

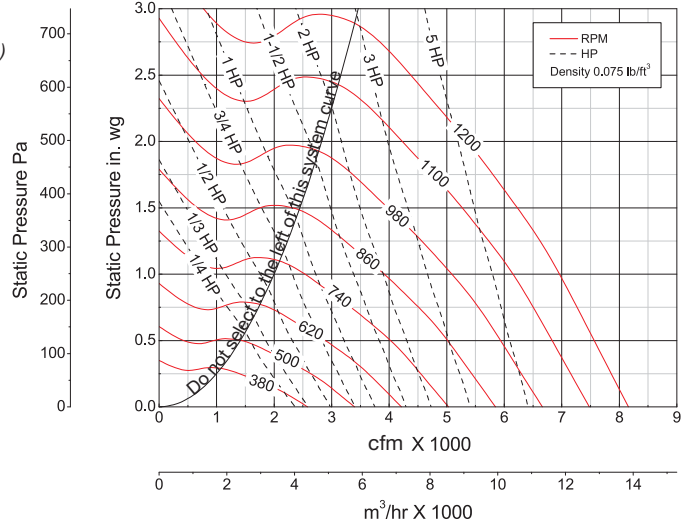
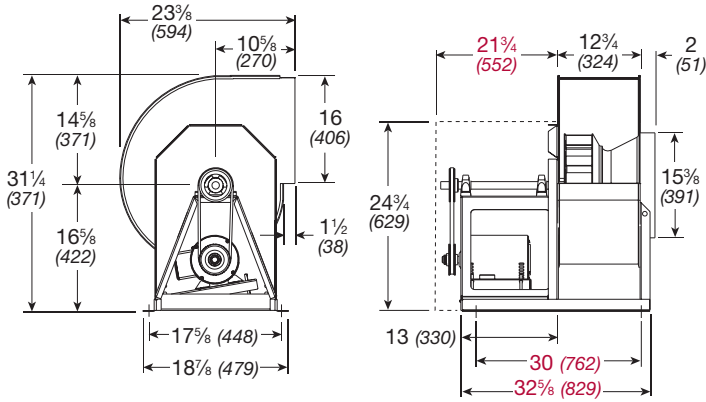
SFB-12

CFM	OV		Static Pressure in Inches wg												
			0.25	0.5	0.75	1	1.25	1.5	1.75	2	2.25	2.5			
825	964	RPM	455												
		BHP	0.07												
		Sones	5.7												
1065	1244	RPM	493	631											
		BHP	0.12	0.18											
		Sones	6.3	9.3											
1305	1525	RPM	533	665	773	871									
		BHP	0.18	0.25	0.33	0.40									
		Sones	7.1	10.2	10.3	10.5									
1545	1805	RPM	580	703	806	897	983	1061							
		BHP	0.26	0.35	0.43	0.52	0.62	0.71							
		Sones	8.2	10.5	10.6	11.0	11.3	12.0							
1785	2086	RPM	632	743	844	931	1010	1087	1158	1225					
		BHP	0.36	0.47	0.57	0.67	0.77	0.88	0.99	1.09					
		Sones	9.6	10.7	11.1	11.5	11.8	13.0	14.4	16.0					
2025	2367	RPM	686	789	883	969	1045	1116	1185	1251	1313	1373			
		BHP	0.49	0.61	0.74	0.85	0.96	1.07	1.19	1.32	1.44	1.56			
		Sones	11.0	11.4	11.8	12.2	12.7	14.0	15.5	17.0	18.6	20			
2265	2647	RPM	747	837	925	1008	1083	1152	1217	1278	1340	1399			
		BHP	0.67	0.79	0.93	1.06	1.19	1.31	1.44	1.56	1.70	1.84			
		Sones	11.8	12.2	12.6	12.9	13.9	15.2	16.6	18.1	19.8	22			
2505	2928	RPM	809	889	971	1048	1122	1190	1254	1314	1370				
		BHP	0.88	1.00	1.15	1.30	1.45	1.59	1.73	1.87	2.00				
		Sones	13.0	13.2	13.5	14.1	15.3	16.6	17.9	19.5	21				
2745	3208	RPM	873	943	1019	1093	1162	1230	1292						
		BHP	1.13	1.26	1.41	1.58	1.75	1.91	2.06						
		Sones	14.5	14.4	14.6	15.6	16.7	18.0	19.5						
2985	3489	RPM	937	1001	1071	1140	1205								
		BHP	1.43	1.56	1.72	1.90	2.08								
		Sones	16.1	15.8	16.2	17.1	18.2								
3225	3769	RPM	1002	1062	1124										
		BHP	1.77	1.92	2.08										
		Sones	17.8	17.4	17.8										

Performance certified is for installation Type B - Free inlet, Ducted outlet. Power rating (Bhp) does not include transmission losses. Performance ratings do not include the effects of appurtenances (accessories). The AMCA Certified Ratings Seal applies to air performance only.

SFB-15 - Belt Drive

Note: New dimensions on this model



Wheel Diameter = 15 (381)
 Shaft Diameter = 1 (25)
 Outlet Area = 1.39 ft² (0.129 m²)
 Mounting Hole Size = 1/2 (13)
 ^Approximate Unit Weight = 214 lb. (97 kg)

All dimensions in inches (millimeters)
 For additional discharge positions see page 12
 ^Weight shown is largest cataloged Open Drip Proof motor

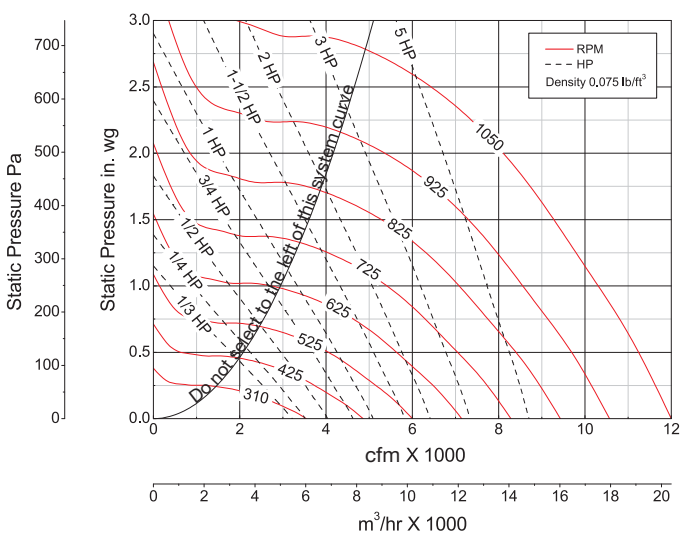
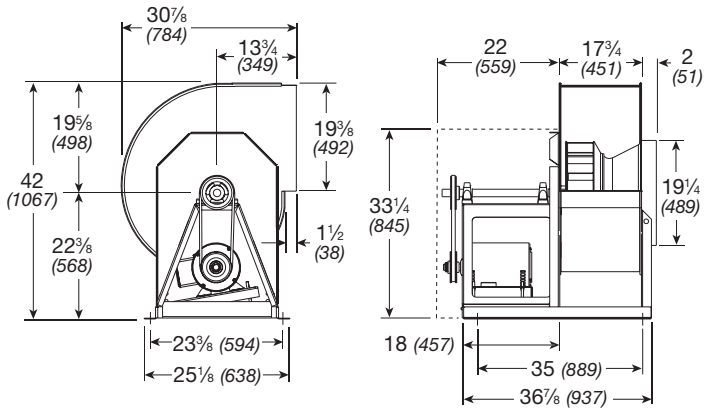
Maximum BHP at given RPM = (RPM/720)³
 (Maximum KW at a given RPM = (RPM/794)³)
 Maximum RPM = 1200 and Minimum RPM = 380
 Tip Speed (ft/min.) = RPM x 3.93
 (Tip Speed (m/s) = RPM x 0.0200)
 Maximum Motor Frame Size = 184T

SFB-15

CFM	OV		Static Pressure in Inches wg											
			0.25	0.5	0.75	1	1.25	1.5	1.75	2	2.5	2.75		
1560	1125	RPM	395	508										
		BHP	0.16	0.25										
		Sones	6.0	8.1										
1860	1342	RPM	421	529	619									
		BHP	0.23	0.33	0.43									
		Sones	7.5	8.8	9.4									
2160	1558	RPM	450	554	638	716								
		BHP	0.32	0.44	0.55	0.67								
		Sones	9.9	9.6	10.3	11.2								
2460	1775	RPM	481	580	663	734	803	865						
		BHP	0.42	0.56	0.70	0.83	0.97	1.09						
		Sones	10.9	10.6	11.4	12.0	13.4	15.2						
2760	1991	RPM	514	608	688	759	822	884	941					
		BHP	0.56	0.71	0.87	1.03	1.17	1.32	1.47					
		Sones	11.5	11.9	12.3	12.8	14.0	15.6	17.2					
3060	2208	RPM	549	637	715	784	846	903	959	1013				
		BHP	0.72	0.89	1.07	1.24	1.41	1.57	1.74	1.90				
		Sones	12.7	13.5	13.2	13.5	14.6	16.0	17.5	19.0				
3360	2424	RPM	585	668	742	810	871	928	980	1031	1128	1174		
		BHP	0.91	1.11	1.29	1.49	1.68	1.87	2.04	2.22	2.58	2.75		
		Sones	14.1	14.9	14.0	14.1	15.0	16.5	17.9	19.4	22	24		
3660	2641	RPM	623	701	772	837	897	953	1005	1053	1147	1192		
		BHP	1.14	1.35	1.56	1.76	1.98	2.18	2.39	2.58	2.98	3.17		
		Sones	15.9	16.0	14.7	14.7	15.4	17.0	18.6	20	23	24		
3960	2857	RPM	662	734	802	865	924	979	1030	1078	1166			
		BHP	1.41	1.63	1.86	2.07	2.31	2.54	2.76	2.98	3.40			
		Sones	17.8	17.3	15.9	15.4	16.3	17.7	19.3	21	23			
4260	3074	RPM	701	768	834	895	951	1005	1056	1103	1191			
		BHP	1.71	1.95	2.20	2.44	2.67	2.93	3.17	3.41	3.88			
		Sones	18.9	18.6	17.2	16.6	17.6	18.9	20	22	24			
4560	3290	RPM	742	804	867	925	980	1032	1082	1129				
		BHP	2.06	2.32	2.59	2.85	3.09	3.35	3.63	3.89				
		Sones	20	19.8	18.8	18.4	19.2	20	22	23				

Performance certified is for installation Type B - Free inlet, Ducted outlet. Power rating (Bhp) does not include transmission losses. Performance ratings do not include the effects of appurtenances (accessories). The AMCA Certified Ratings Seal applies to air performance only.

SFB-18 - Belt Drive



Wheel Diameter = 18 1/8 (460)
 Shaft Diameter = 1 (25)
 Outlet Area = 2.29 ft² (0.213 m²)
 Mounting Hole Size = 1/2 (13)
 ^Approximate Unit Weight = 265 lb. (120 kg)
 All dimensions in inches (millimeters)
 For additional discharge positions see page 12
 ^Weight shown is largest cataloged Open Drip Proof motor

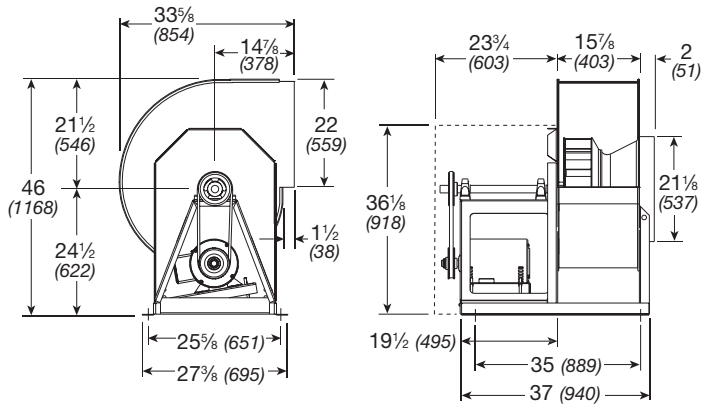
Maximum BHP at given RPM = $(RPM/614)^3$
 (Maximum KW at a given RPM = $(RPM/677)^3$)
 Maximum RPM = 1050 and Minimum RPM = 310
 Tip Speed (ft/min.) = RPM x 4.75
 (Tip Speed (m/s) = RPM x 0.0241)
 Maximum Motor Frame Size = 184T

SFB-18

CFM	OV		Static Pressure in Inches wg										
			0.25	0.5	0.75	1	1.25	1.5	1.75	2	2.25	2.5	
2725	1188	RPM	364	464	550								
		BHP	0.29	0.44	0.60								
		Sones	8.4	9.2	10.2								
3150	1374	RPM	388	481	563	635							
		BHP	0.39	0.56	0.74	0.93							
		Sones	10.3	10.1	11.2	12.6							
3575	1559	RPM	415	500	578	648	712						
		BHP	0.52	0.70	0.90	1.11	1.33						
		Sones	11.1	11.3	12.2	13.4	15.5						
4000	1744	RPM	444	524	596	662	725	782	836				
		BHP	0.68	0.89	1.10	1.32	1.56	1.80	2.03				
		Sones	12.0	13.1	13.1	14.0	15.8	17.7	19.5				
4425	1930	RPM	473	548	615	680	738	795	848	898	943		
		BHP	0.87	1.09	1.32	1.57	1.81	2.08	2.34	2.60	2.86		
		Sones	13.6	14.7	14.0	14.4	15.9	17.8	19.7	21	23		
4850	2115	RPM	503	573	638	698	756	809	861	910	957	1001	
		BHP	1.09	1.34	1.59	1.85	2.12	2.38	2.68	2.97	3.26	3.54	
		Sones	15.5	15.8	14.8	14.8	16.2	18.1	20	22	24	25	
5275	2300	RPM	534	601	662	719	774	826	875	923	970	1013	
		BHP	1.36	1.63	1.90	2.17	2.46	2.75	3.04	3.35	3.67	3.99	
		Sones	17.7	17.1	15.6	15.6	16.7	18.7	20	22	24	26	
5700	2486	RPM	566	630	687	743	793	844	893	938	982	1026	
		BHP	1.67	1.96	2.24	2.55	2.83	3.15	3.47	3.78	4.11	4.46	
		Sones	19.2	18.6	16.9	16.6	17.9	19.5	21	23	25	26	
6125	2671	RPM	599	660	714	767	817	863	911	956	998	1039	
		BHP	2.03	2.34	2.64	2.96	3.28	3.58	3.94	4.28	4.61	4.95	
		Sones	20	20	18.5	18.0	19.4	21	22	24	26	27	
6550	2857	RPM	631	689	743	791	840	886	929	974	1016		
		BHP	2.43	2.76	3.09	3.41	3.77	4.10	4.43	4.81	5.18		
		Sones	22	21	20	20	21	22	24	26	27		
6975	3042	RPM	664	720	771	818	865	909	951	992	1034		
		BHP	2.88	3.23	3.60	3.93	4.30	4.67	5.02	5.38	5.78		
		Sones	24	23	23	22	23	24	26	27	29		

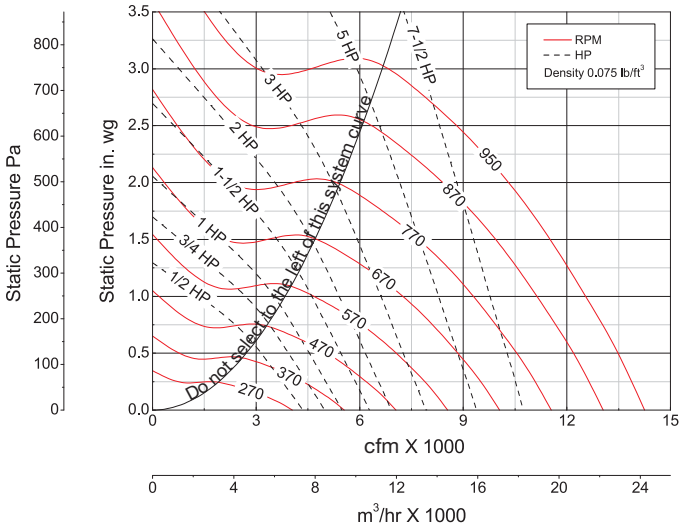
Performance certified is for installation Type B - Free inlet, Ducted outlet. Power rating (Bhp) does not include transmission losses. Performance ratings do not include the effects of appurtenances (accessories). The AMCA Certified Ratings Seal applies to air performance only.

SFB-20 - Belt Drive



Wheel Diameter = 20 (508)
 Shaft Diameter = 1 1/4 (32)
 Outlet Area = 2.40 ft² (0.223 m²)
 Mounting Hole Size = 5/8 (16)
 ^Approximate Unit Weight = 405 lb (184 kg)

All dimensions in inches (millimeters)
 For additional discharge positions see page 12
 ^Weight shown is largest cataloged Open Drip Proof motor



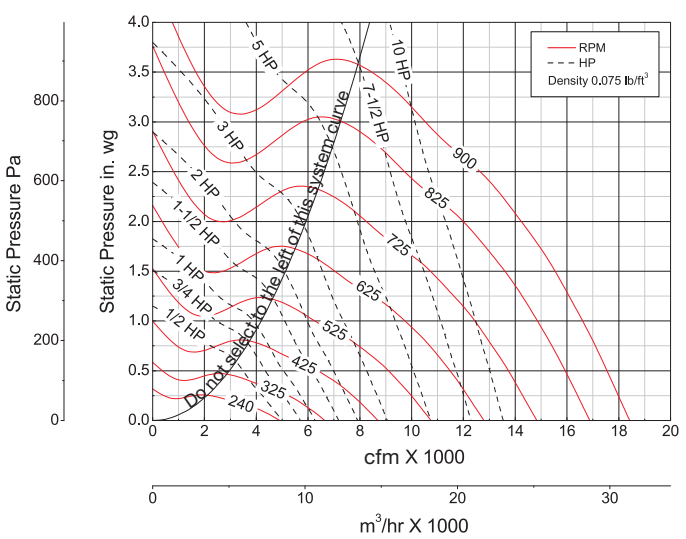
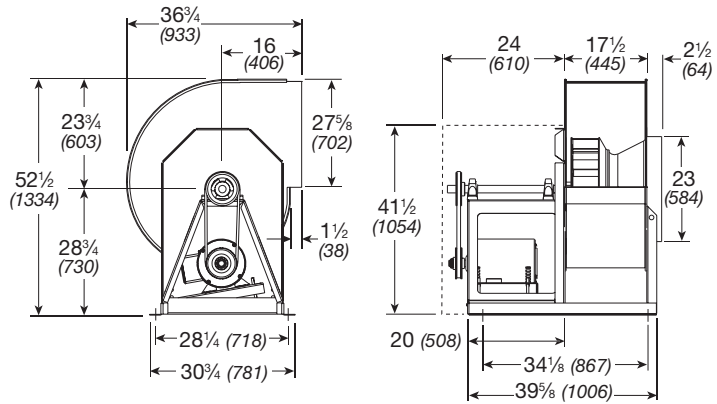
Maximum BHP at given RPM = (RPM/485)³
 (Maximum KW at a given RPM = (RPM/535)³)
 Maximum RPM = 950 and Minimum RPM = 270
 Tip Speed (ft/min.) = RPM x 5.24
 (Tip Speed (m/s) = RPM x 0.0266)
 Maximum Motor Frame Size = 215T

SFB-20

CFM	OV		Static Pressure in Inches wg												
			0.25	0.5	0.75	1	1.25	1.5	1.75	2	2.5	2.75			
3275	1362	RPM	320	402											
		BHP	0.37	0.53											
		Sones	8.1	9.1											
3800	1581	RPM	343	420	487										
		BHP	0.51	0.70	0.90										
		Sones	10.3	10.1	11.3										
4325	1799	RPM	369	440	503	561	613								
		BHP	0.70	0.90	1.13	1.36	1.61								
		Sones	11.3	11.5	12.6	13.1	14.6								
4850	2018	RPM	396	462	521	576	628	676							
		BHP	0.92	1.15	1.39	1.64	1.91	2.19							
		Sones	12.3	13.4	13.7	13.9	15.0	16.7							
5375	2236	RPM	424	485	542	594	642	689	733						
		BHP	1.19	1.45	1.71	1.99	2.26	2.56	2.87						
		Sones	14.0	15.4	14.7	14.5	15.3	16.9	18.6						
5900	2455	RPM	454	511	564	614	661	704	747	788					
		BHP	1.52	1.80	2.08	2.38	2.68	2.98	3.30	3.64					
		Sones	16.1	16.8	15.5	15.3	15.5	17.3	19.0	21					
6425	2673	RPM	484	537	587	634	679	722	762	801	877	911			
		BHP	1.90	2.22	2.52	2.83	3.15	3.49	3.81	4.15	4.89	5.26			
		Sones	18.6	18.4	16.8	16.1	16.5	18.0	19.8	21	24	26			
6950	2892	RPM	515	565	612	657	700	741	780	818	890	925			
		BHP	2.36	2.69	3.02	3.36	3.70	4.04	4.41	4.76	5.51	5.92			
		Sones	20	19.8	18.5	17.0	18.0	19.3	21	22	25	26			
7475	3110	RPM	546	593	638	681	722	761	799	836	904	938			
		BHP	2.88	3.24	3.59	3.95	4.30	4.68	5.05	5.44	6.20	6.61			
		Sones	22	21	20	19.2	19.5	21	22	24	27	28			
8000	3329	RPM	578	622	665	705	745	782	819	854	922				
		BHP	3.47	3.86	4.24	4.61	5.00	5.38	5.79	6.18	7.02				
		Sones	24	23	22	22	22	23	24	25	29				
8525	3547	RPM	610	652	692	731	769	805	840	875	940				
		BHP	4.14	4.55	4.96	5.37	5.77	6.18	6.59	7.02	7.89				
		Sones	26	24	24	24	24	25	26	28	31				

Performance certified is for installation Type B - Free inlet, Ducted outlet. Power rating (Bhp) does not include transmission losses. Performance ratings do not include the effects of appurtenances (accessories). The AMCA Certified Ratings Seal applies to air performance only.

SFB-22 - Belt Drive



Wheel Diameter = 22 1/8 (562)
 Shaft Diameter = 1 1/4 (32)
 Outlet Area = 3.23 ft² (0.300 m²)
 Mounting Hole Size = 5/8 (16)
 ^Approximate Unit Weight = 540 lb (245 kg)

All dimensions in inches (millimeters)
 For additional discharge positions see page 12
 ^Weight shown is largest cataloged Open Drip Proof motor

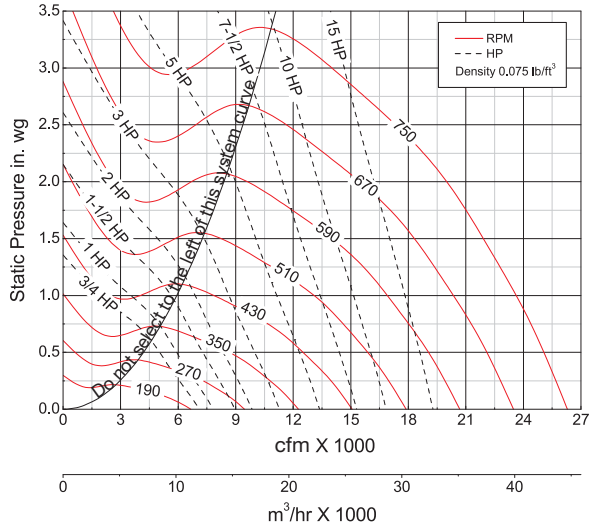
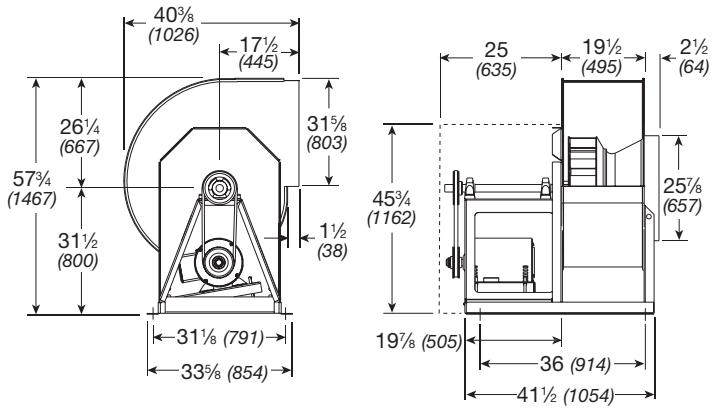
Maximum BHP at given RPM = (RPM/418)³
 (Maximum KW at a given RPM = (RPM/461)³)
 Maximum RPM = 900 and Minimum RPM = 240
 Tip Speed (ft/min.) = RPM x 5.79
 (Tip Speed (m/s) = RPM x 0.0294)
 Maximum Motor Frame Size = 215T

SFB-22

CFM	OV		Static Pressure in Inches wg												
			0.25	0.5	0.75	1	1.25	1.5	2	2.5	3	3.25			
4000	1240	RPM	285	359	419										
		BHP	0.44	0.64	0.83										
		Sones	8.6	10.5	12.8										
4950	1534	RPM	315	385	441	491	535								
		BHP	0.71	0.96	1.20	1.43	1.67								
		Sones	11.3	13	15.4	16.6	18								
5900	1829	RPM	350	410	467	514	557	598							
		BHP	1.09	1.37	1.68	1.96	2.23	2.52							
		Sones	14.1	15.9	17.9	19	20	22							
6850	2123	RPM	388	441	491	540	582	620	691	755					
		BHP	1.60	1.91	2.25	2.61	2.95	3.26	3.92	4.56					
		Sones	17.2	19.3	20	22	23	24	26	29					
7800	2418	RPM	428	475	520	564	608	646	713	776	834	861			
		BHP	2.25	2.61	2.98	3.37	3.79	4.17	4.88	5.64	6.38	6.75			
		Sones	21	22	23	25	26	28	29	31	34	36			
8750	2712	RPM	470	511	552	593	632	671	739	798	854	881			
		BHP	3.08	3.47	3.87	4.30	4.75	5.21	6.08	6.87	7.71	8.14			
		Sones	24	25	26	28	30	30	32	34	37	39			
9700	3007	RPM	512	550	587	624	660	695	764	824	877				
		BHP	4.09	4.53	4.97	5.43	5.90	6.39	7.41	8.35	9.24				
		Sones	27	28	30	31	32	34	36	39	41				
10650	3301	RPM	555	590	623	658	691	724	789	850					
		BHP	5.33	5.80	6.27	6.77	7.28	7.79	8.90	10					
		Sones	30	32	34	35	36	37	40	43					
11600	3596	RPM	599	631	662	693	724	755	813	874					
		BHP	6.79	7.30	7.83	8.34	8.88	9.44	10.54	11.82					
		Sones	34	37	38	38	39	41	44	47					
12550	3890	RPM	643	672	701	730	759	788	844	898					
		BHP	8.51	9.04	9.62	10.17	10.76	11.33	12.56	13.8					
		Sones	38	40	42	42	43	45	48	52					
13500	4185	RPM	688	714	742	768	794	822	875						
		BHP	10.5	11.1	11.7	12.3	12.9	13.5	14.8						
		Sones	42	44	46	47	48	49	53						

Performance certified is for installation Type B - Free inlet, Ducted outlet. Power rating (Bhp) does not include transmission losses. Performance ratings do not include the effects of appurtenances (accessories). The AMCA Certified Ratings Seal applies to air performance only.

SFB-25 - Belt Drive



Wheel Diameter = 25 (635)
 Shaft Diameter = 1½ (38)
 Outlet Area = 4.21 ft² (0.391 m²)
 Mounting Hole Size = 5/8 (16)
 ^Approximate Unit Weight = 700 lb. (318 kg)

All dimensions in inches (millimeters)
 For additional discharge positions see page 12
 ^Weight shown is largest cataloged Open Drip Proof motor

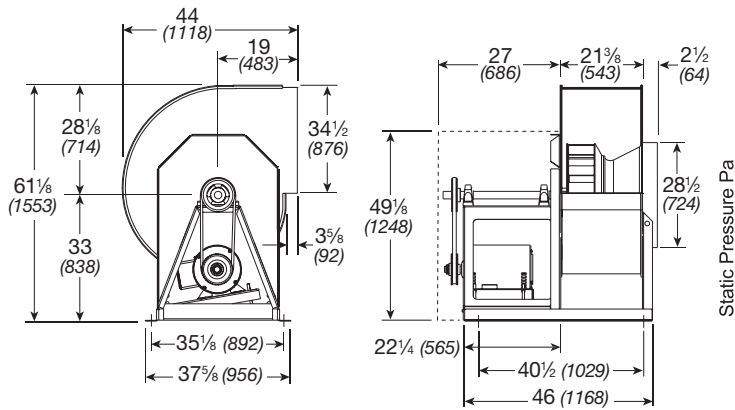
Maximum BHP at given RPM = (RPM/304)³
 (Maximum KW at a given RPM = (RPM/335)³)
 Maximum RPM = 750 and Minimum RPM = 190
 Tip Speed (ft/min.) = RPM x 6.54
 (Tip Speed (m/s) = RPM x 0.0332)
 Maximum Motor Frame Size = 284T

SFB-25

CFM	OV		Static Pressure in Inches wg											
			0.25	0.5	0.75	1	1.25	1.5	2	2.5	3	3.25		
6000	1425	RPM	246	310	363	412								
		BHP	0.74	1.03	1.32	1.65								
		Sones	8.4	10.4	12.5	14.5								
6950	1651	RPM	263	324	375	419	463							
		BHP	1.02	1.37	1.72	2.05	2.42							
		Sones	10.3	11.9	14.3	15.8	17.3							
7900	1877	RPM	283	338	387	431	470	508						
		BHP	1.39	1.78	2.17	2.57	2.95	3.34						
		Sones	12.1	13.7	16.2	17.3	18.6	20						
8850	2103	RPM	304	354	401	444	482	518	585					
		BHP	1.85	2.29	2.73	3.15	3.61	4.03	4.93					
		Sones	14.1	15.7	17.9	19.0	20	22	25					
9800	2329	RPM	326	372	416	457	495	530	593	654				
		BHP	2.40	2.87	3.36	3.86	4.32	4.83	5.76	6.81				
		Sones	16.1	18.0	19.6	21	22	23	26	29				
10750	2554	RPM	349	391	432	471	508	542	605	660	716	743		
		BHP	3.07	3.58	4.12	4.65	5.19	5.70	6.79	7.78	8.96	9.57		
		Sones	18.4	20	21	23	24	25	27	30	33	35		
11700	2780	RPM	373	412	450	487	522	556	617	672	722	748		
		BHP	3.86	4.42	4.99	5.57	6.16	6.73	7.89	9.05	10.11	10.74		
		Sones	21	22	23	25	26	28	29	32	35	36		
12650	3006	RPM	397	433	468	504	537	569	629	684	734			
		BHP	4.78	5.37	5.96	6.62	7.22	7.88	9.07	10.39	11.62			
		Sones	23	24	25	27	28	30	32	34	36			
13600	3232	RPM	421	455	488	521	553	584	643	696	746			
		BHP	5.84	6.46	7.13	7.79	8.48	9.13	10.51	11.82	13.21			
		Sones	25	26	27	29	31	32	34	36	39			
14550	3457	RPM	445	478	510	539	570	600	657	709				
		BHP	7.04	7.72	8.43	9.09	9.86	10.58	12.04	13.43				
		Sones	27	29	30	31	33	34	36	39				
15500	3683	RPM	471	501	531	559	588	617	671	723				
		BHP	8.43	9.15	9.88	10.62	11.37	12.18	13.68	15.26				
		Sones	29	31	33	34	35	36	39	42				

Performance certified is for installation Type B - Free inlet, Ducted outlet. Power rating (Bhp) does not include transmission losses. Performance ratings do not include the effects of appurtenances (accessories). The AMCA Certified Ratings Seal applies to air performance only.

SFB-27 - Belt Drive



Wheel Diameter = 27 1/2 (699)

Shaft Diameter = 1 1/2 (38)

Outlet Area = 4.97 ft² (0.462 m²)

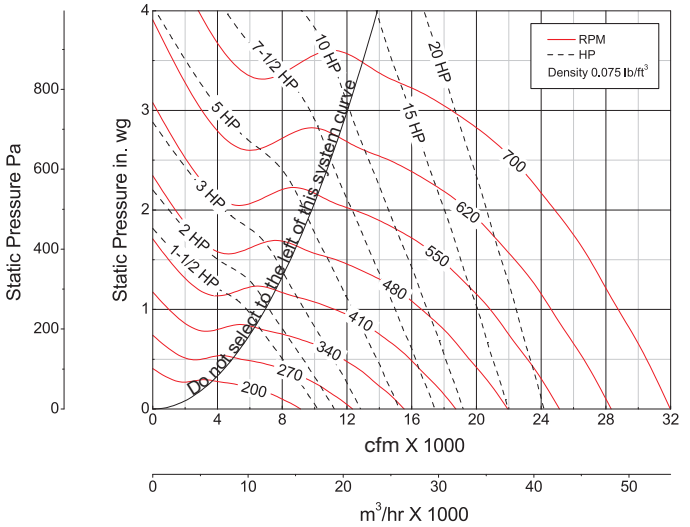
Mounting Hole Size = 5/8 (16)

^Approximate Unit Weight = 845 lb. (383 kg)

All dimensions in inches (millimeters)

For additional discharge positions see page 12

^Weight shown is largest cataloged Open Drip Proof motor



Maximum BHP at given RPM = $(RPM/285)^3$

(Maximum KW at a given RPM = $(RPM/314)^3$)

Maximum RPM = 700 and Minimum RPM = 200

Tip Speed (ft/min.) = RPM x 7.20

(Tip Speed (m/s) = RPM x 0.0366)

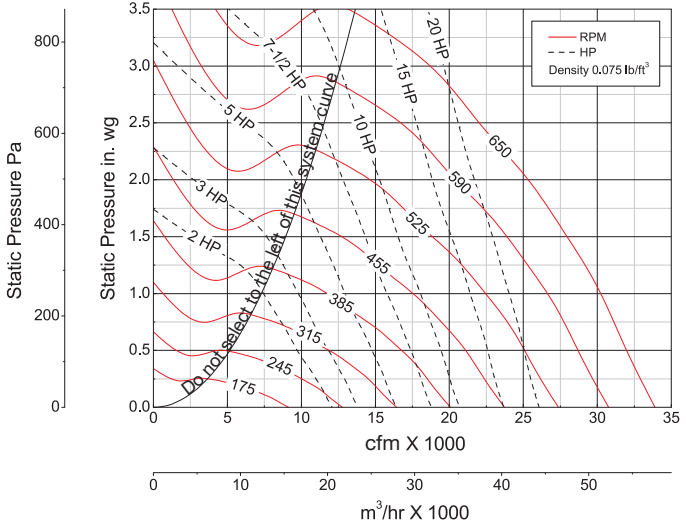
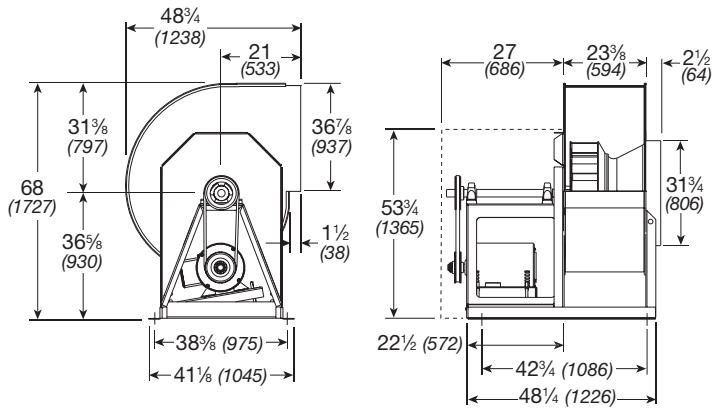
Maximum Motor Frame Size = 286T

SFB-27

CFM	OV		Static Pressure in Inches wg										
			0.25	0.5	0.75	1	1.25	1.5	2	2.5	3	3.25	
8600	1729	RPM	245	297	345	388	427	462					
		BHP	1.29	1.72	2.17	2.61	3.07	3.56					
		Sones	11.1	12.5	15.1	16.7	18.2	20					
9750	1961	RPM	264	310	355	397	434	470					
		BHP	1.75	2.21	2.71	3.23	3.73	4.26					
		Sones	13.1	14.6	17.0	18.4	19.7	21					
10900	2192	RPM	284	327	368	407	444	477	540				
		BHP	2.31	2.84	3.38	3.94	4.51	5.05	6.24				
		Sones	15.1	16.7	18.9	20	21	23	26				
12050	2423	RPM	305	344	381	419	454	487	547	603	652		
		BHP	3.02	3.58	4.14	4.78	5.39	6.03	7.28	8.58	9.95		
		Sones	17.3	19.2	21	22	23	25	27	30	34		
13200	2655	RPM	327	363	398	432	465	497	556	610	660	683	
		BHP	3.85	4.46	5.09	5.73	6.41	7.09	8.45	9.86	11.28	12.04	
		Sones	19.8	22	23	24	25	27	29	32	35	37	
14350	2886	RPM	349	382	415	447	478	508	566	618	668	691	
		BHP	4.83	5.47	6.16	6.83	7.57	8.30	9.80	11.22	12.80	13.58	
		Sones	22	24	25	26	28	29	31	33	37	39	
15500	3117	RPM	372	403	434	464	491	521	576	628	676	699	
		BHP	5.97	6.64	7.40	8.14	8.84	9.68	11.25	12.88	14.41	15.28	
		Sones	25	26	27	28	30	32	34	36	39	40	
16650	3349	RPM	395	424	453	481	508	535	588	638	685		
		BHP	7.27	8.02	8.80	9.60	10.38	11.17	12.90	14.64	16.36		
		Sones	27	28	29	31	33	34	36	39	41		
17800	3580	RPM	418	446	472	499	525	550	601	648	695		
		BHP	8.76	9.59	10.37	11.24	12.10	12.92	14.74	16.49	18.42		
		Sones	29	31	32	34	35	36	39	41	44		
18950	3811	RPM	441	468	492	518	543	567	614	661			
		BHP	10.40	11.30	12.10	13.10	14.00	14.90	16.70	18.70			
		Sones	32	34	35	37	38	39	41	44			
20100	4043	RPM	465	490	514	538	561	585	629	674			
		BHP	12.40	13.30	14.20	15.10	16.10	17.10	18.90	21.00			
		Sones	34	37	39	39	40	41	44	47			

Performance certified is for installation Type B - Free inlet, Ducted outlet. Power rating (Bhp) does not include transmission losses. Performance ratings do not include the effects of appurtenances (accessories). The AMCA Certified Ratings Seal applies to air performance only.

SFB-30 - Belt Drive



Wheel Diameter = 30 (762)
 Shaft Diameter = 1 1/2 (38)
 Outlet Area = 5.72 ft² (0.531 m²)
 Mounting Hole Size = 5/8 (16)
 ^Approximate Unit Weight = 940 lb. (426 kg)

All dimensions in inches (millimeters)
 For additional discharge positions see page 12
 ^Weight shown is largest cataloged Open Drip Proof motor

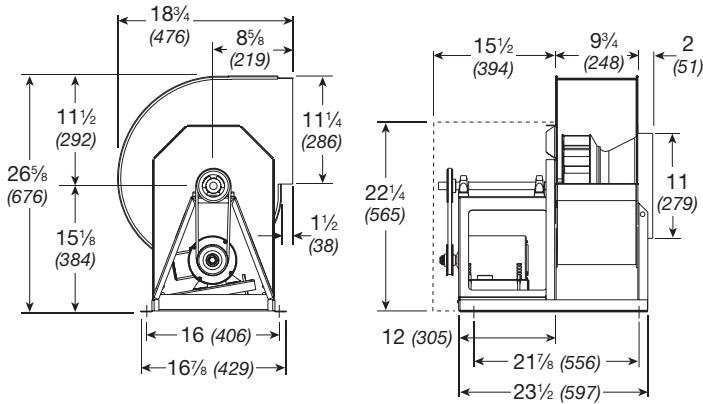
Maximum BHP at given RPM = $(RPM/239)^3$
 (Maximum KW at a given RPM = $(RPM/263)^3$)
 Maximum RPM = 650 and Minimum RPM = 175
 Tip Speed (ft/min.) = RPM x 7.86
 (Tip Speed (m/s) = RPM x 0.0399)
 Maximum Motor Frame Size = 286T

SFB-30

CFM	OV		Static Pressure in Inches wg									
			0.25	0.5	0.75	1	1.25	1.5	2	2.5	3	3.25
10000	1749	RPM	245	293	332	369	403	434				
		BHP	1.60	2.12	2.59	3.13	3.63	4.19				
		Sones	13.0	15.0	17.3	18.6	20	22				
11525	2015	RPM	267	311	350	383	416	446	501			
		BHP	2.25	2.85	3.44	3.98	4.60	5.19	6.43			
		Sones	15.7	17.9	19.7	21	22	24	27			
13050	2282	RPM	291	330	368	401	430	459	513	562	606	
		BHP	3.10	3.73	4.44	5.09	5.69	6.39	7.73	9.15	10.56	
		Sones	18.7	21	22	24	25	27	29	32	35	
14575	2549	RPM	316	352	387	419	448	474	526	573	617	638
		BHP	4.14	4.85	5.60	6.37	7.10	7.78	9.31	10.79	12.37	13.16
		Sones	22	23	25	27	28	30	31	34	38	40
16100	2816	RPM	342	375	406	437	466	492	539	586	629	649
		BHP	5.42	6.18	6.96	7.84	8.69	9.49	11.02	12.74	14.38	15.20
		Sones	25	26	28	30	32	33	35	37	40	42
17625	3082	RPM	369	399	428	456	484	510	557	600	642	
		BHP	6.98	7.78	8.64	9.51	10.49	11.40	13.12	14.86	16.73	
		Sones	28	29	31	33	35	36	38	41	44	
19150	3349	RPM	397	423	450	477	503	529	575	616		
		BHP	8.82	9.65	10.57	11.50	12.50	13.55	15.51	17.32		
		Sones	31	33	35	36	38	39	42	45		
20675	3616	RPM	424	448	474	499	523	547	593	634		
		BHP	11.00	11.80	12.80	13.80	14.80	15.90	18.10	20.20		
		Sones	35	37	39	40	41	43	46	49		
22200	3883	RPM	452	474	498	521	545	566	612			
		BHP	13.40	14.30	15.40	16.40	17.50	18.60	21.00			
		Sones	39	42	42	43	45	46	50			
23725	4149	RPM	480	501	523	545	567	588	630			
		BHP	16.20	17.20	18.30	19.40	20.60	21.70	24.20			
		Sones	43	45	46	47	49	51	55			
25250	4416	RPM	508	528	548	569	589	610	649			
		BHP	19.40	20.50	21.50	22.80	23.90	25.20	27.70			
		Sones	46	49	51	52	53	55	59			

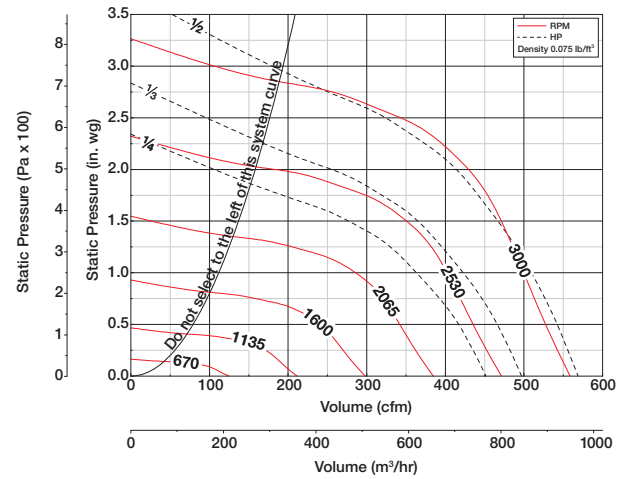
Performance certified is for installation Type B - Free inlet, Ducted outlet. Power rating (Bhp) does not include transmission losses. Performance ratings do not include the effects of appurtenances (accessories). The AMCA Certified Ratings Seal applies to air performance only.

SWB-106 - Belt Drive Series 100



Wheel Diameter = 11 1/8 (283)
 Shaft Diameter = 3/4 (19)
 Outlet Area = 0.76 ft² (0.07 m²)
 ^Approximate Unit Weight = 135 lb. (61 kg)

All dimensions in inches (millimeters)
 For additional discharge positions see page 13
 ^Weight shown is largest cataloged Open Drip Proof motor



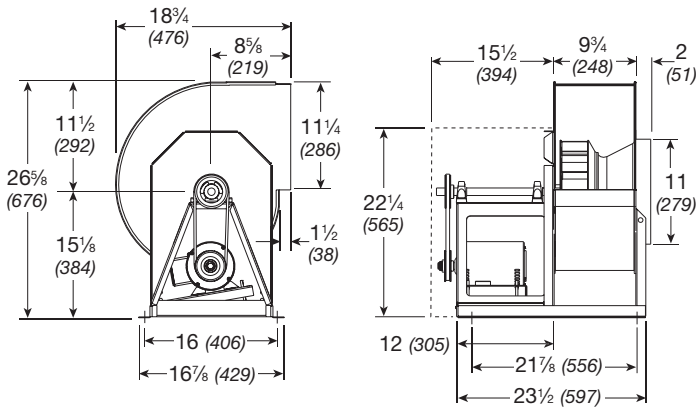
Maximum BHP at a given RPM = (RPM/3706)³
 (Maximum KW at a given RPM = (RPM/4086)³)
 Maximum RPM = 3000
 Tip Speed (ft/min.) = RPM x 2.91
 (Tip Speed (m/s) = RPM x 0.0148)
 Maximum Motor Frame Size = 145T

SWB-106

CFM	OV		Static Pressure in Inches wg										
			0.25	0.5	0.75	1	1.25	1.5	1.75	2	2.25	2.5	
100	132	RPM	936	1273	1542								
		BHP	0.02	0.04	0.06								
		Sones	5.4	6.8	8.0								
140	184	RPM	1023	1322	1574	1799	1999	2179					
		BHP	0.02	0.04	0.07	0.11	0.14	0.18					
		Sones	6.0	7.1	8.4	9.8	11.5	13.1					
180	237	RPM	1172	1398	1632	1843	2031	2210	2376	2531	2676	2813	
		BHP	0.03	0.05	0.08	0.12	0.16	0.20	0.24	0.29	0.34	0.39	
		Sones	6.6	7.5	8.9	10.2	11.9	13.4	14.8	16.3	17.9	19.4	
220	289	RPM	1356	1522	1712	1906	2088	2257	2413	2561	2706	2844	
		BHP	0.05	0.07	0.10	0.13	0.17	0.22	0.26	0.31	0.37	0.42	
		Sones	7.2	8.2	9.4	10.9	12.6	13.9	15.2	16.7	18.3	19.8	
260	342	RPM	1550	1681	1830	1993	2155	2318	2470	2614	2751	2880	
		BHP	0.07	0.09	0.12	0.15	0.19	0.24	0.29	0.34	0.39	0.45	
		Sones	8.0	9.0	10.2	11.8	13.2	14.5	15.9	17.4	18.8	20	
300	395	RPM	1749	1866	1976	2113	2253	2391	2537	2676	2808	2936	
		BHP	0.09	0.12	0.15	0.18	0.22	0.27	0.32	0.37	0.42	0.48	
		Sones	9.1	10.1	11.3	12.8	14.0	15.2	16.6	18.0	19.5	21	
340	447	RPM	1952	2056	2158	2258	2379	2500	2626	2745	2876	3000	
		BHP	0.13	0.15	0.19	0.22	0.26	0.31	0.35	0.41	0.46	0.52	
		Sones	10.5	11.5	12.5	13.7	14.9	16.2	17.5	18.7	20	22	
380	500	RPM	2156	2253	2344	2434	2524	2633	2736	2852	2963		
		BHP	0.17	0.20	0.23	0.27	0.31	0.35	0.40	0.45	0.51		
		Sones	12.2	12.8	13.7	14.7	16.2	17.4	18.6	19.9	21		
420	553	RPM	2361	2452	2535	2618	2699	2779	2879	2973			
		BHP	0.23	0.26	0.29	0.33	0.37	0.42	0.46	0.51			
		Sones	14.7	14.2	15.1	16.1	17.2	18.8	20	21			
460	605	RPM	2567	2654	2732	2806	2883	2956					
		BHP	0.29	0.32	0.36	0.40	0.44	0.49					
		Sones	17.9	16.2	16.9	17.8	18.9	19.8					
500	658	RPM	2775	2858	2931								
		BHP	0.37	0.40	0.44								
		Sones	22	22	18.9								

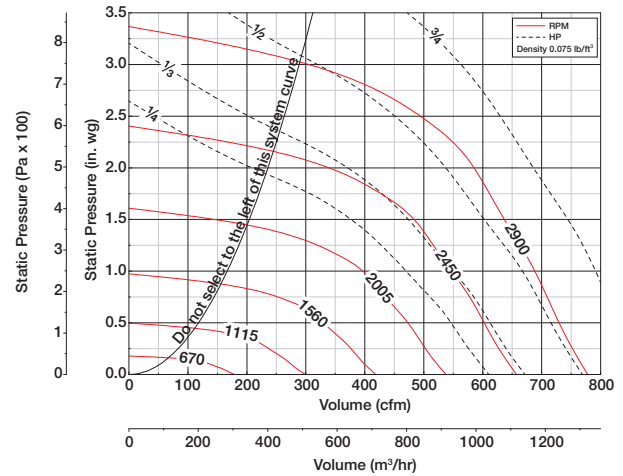
Performance certified is for installation Type B - free inlet, ducted outlet. Power rating (Bhp) does not include transmission losses. Performance ratings do not include the effects of appurtenances (accessories). The AMCA Certified Ratings Seal applies to air performance only.

SWB-107 - Belt Drive Series 100



Wheel Diameter = 11 1/8 (283)
 Shaft Diameter = 3/4 (19)
 Outlet Area = 0.76 ft² (0.07 m²)
 ^Approximate Unit Weight = 135 lb. (61 kg)

All dimensions in inches (millimeters)
 For additional discharge positions see page 13
 ^Weight shown is largest cataloged Open Drip Proof motor



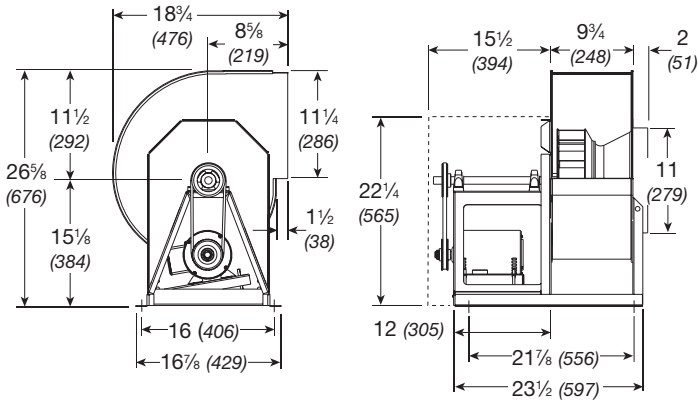
Maximum BHP at a given RPM = (RPM/3706)³
 (Maximum KW at a given RPM = (RPM/3851)³)
 Maximum RPM = 2900
 Tip Speed (ft./min.) = RPM x 2.91
 (Tip Speed (m/s) = RPM x 0.0148)
 Maximum Motor Frame Size = 145T

SWB-107

CFM	OV		Static Pressure in Inches wg										
			0.25	0.5	0.75	1	1.25	1.5	1.75	2	2.25	2.5	
140	184	RPM	891	1198									
		BHP	0.02	0.04									
		Sones	4.5	5.9									
200	263	RPM	1008	1264	1494	1695	1877						
		BHP	0.02	0.04	0.07	0.10	0.13						
		Sones	5.1	6.2	7.3	8.5	9.8						
260	342	RPM	1184	1374	1572	1759	1931	2088	2239	2380	2512		
		BHP	0.04	0.06	0.09	0.12	0.15	0.19	0.23	0.27	0.32		
		Sones	6.0	6.8	7.7	8.8	10.1	11.3	12.6	13.8	15.2		
320	421	RPM	1372	1531	1686	1848	2005	2156	2299	2432	2559	2684	
		BHP	0.06	0.08	0.11	0.14	0.18	0.22	0.26	0.30	0.35	0.40	
		Sones	7.3	7.7	8.4	9.5	10.6	11.8	13.0	14.2	15.6	17.0	
380	500	RPM	1573	1713	1840	1970	2105	2244	2375	2502	2627	2745	
		BHP	0.09	0.11	0.14	0.18	0.21	0.25	0.30	0.34	0.39	0.44	
		Sones	8.6	8.9	9.7	10.7	11.6	12.6	13.7	14.9	16.3	17.6	
440	579	RPM	1782	1900	2020	2129	2238	2358	2472	2593	2708	2817	
		BHP	0.12	0.15	0.19	0.22	0.26	0.30	0.34	0.39	0.44	0.49	
		Sones	10.1	10.6	11.3	12.0	12.7	13.7	14.7	15.9	17.2	18.5	
500	658	RPM	1994	2096	2205	2308	2404	2493	2601	2705	2805		
		BHP	0.17	0.20	0.24	0.28	0.32	0.36	0.41	0.45	0.50		
		Sones	11.8	12.3	12.9	13.5	14.2	14.9	16.1	17.2	18.3		
560	737	RPM	2208	2302	2394	2492	2583	2669	2751	2838			
		BHP	0.23	0.27	0.30	0.35	0.39	0.44	0.48	0.53			
		Sones	14.1	14.1	14.7	15.5	16.1	16.8	17.5	18.4			
620	816	RPM	2421	2512	2593	2680	2767	2850					
		BHP	0.30	0.34	0.38	0.43	0.48	0.53					
		Sones	16.6	17.0	16.7	17.6	18.5	19.1					
680	895	RPM	2636	2723	2799	2872							
		BHP	0.39	0.44	0.48	0.52							
		Sones	19.5	22	19.0	19.9							
740	974	RPM	2852										
		BHP	0.50										
		Sones	23										

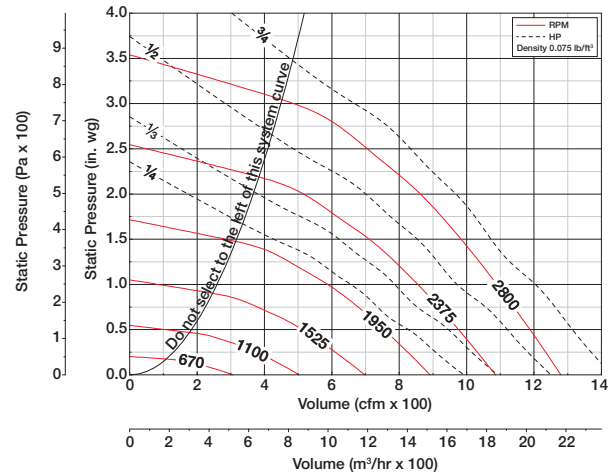
Performance certified is for installation Type B - free inlet, ducted outlet. Power rating (Bhp) does not include transmission losses. Performance ratings do not include the effects of appurtenances (accessories). The AMCA Certified Ratings Seal applies to air performance only.

SWB-108 - Belt Drive Series 100



Wheel Diameter = 11 1/8 (283)
 Shaft Diameter = 3/4 (19)
 Outlet Area = 0.76 ft² (0.07 m²)
 ^Approximate Unit Weight = 135 lb. (61 kg)

All dimensions in inches (millimeters)
 For additional discharge positions see page 13
 ^Weight shown is largest cataloged Open Drip Proof motor



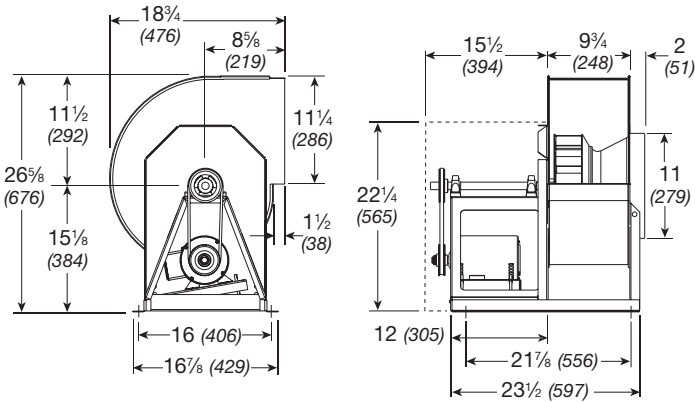
Maximum BHP at a given RPM = $(RPM/3233)^3$
 (Maximum KW at a given RPM = $(RPM/3564)^3$)
 Maximum RPM = 2800
 Tip Speed (ft/min.) = RPM x 2.91
 (Tip Speed (m/s) = RPM x 0.0148)
 Maximum Motor Frame Size = 145T

SWB-108

CFM	OV		Static Pressure in Inches wg												
			0.25	0.5	0.75	1	1.25	1.5	1.75	2	2.25	2.5			
200	263	RPM	860	1148											
		BHP	0.02	0.04											
		Sones	5.5	6.8											
300	395	RPM	982	1235	1443	1635	1805								
		BHP	0.03	0.05	0.09	0.12	0.16								
		Sones	6.6	7.0	7.7	8.7	9.6								
400	526	RPM	1141	1357	1551	1719	1872	2025	2165	2296	2419				
		BHP	0.04	0.07	0.11	0.15	0.19	0.24	0.29	0.34	0.40				
		Sones	7.2	7.7	8.2	9.0	9.8	10.7	11.5	12.4	13.5				
500	658	RPM	1317	1506	1675	1837	1983	2117	2241	2364	2487	2603			
		BHP	0.07	0.10	0.14	0.18	0.23	0.28	0.33	0.39	0.45	0.51			
		Sones	8.0	8.6	9.2	9.8	10.5	11.1	12.0	12.9	13.9	14.8			
600	789	RPM	1504	1673	1825	1965	2105	2234	2356	2471	2579	2681			
		BHP	0.09	0.14	0.18	0.22	0.27	0.32	0.38	0.44	0.50	0.57			
		Sones	9.1	9.8	10.5	11.2	11.8	12.3	13.0	13.7	14.6	15.5			
700	921	RPM	1699	1849	1989	2119	2242	2361	2478	2589	2695	2796			
		BHP	0.13	0.18	0.23	0.28	0.33	0.39	0.44	0.50	0.56	0.63			
		Sones	10.3	11.5	12.5	12.9	13.3	13.9	14.6	14.8	15.7	16.6			
800	1053	RPM	1899	2035	2162	2282	2396	2507	2610	2715					
		BHP	0.18	0.23	0.29	0.34	0.40	0.46	0.52	0.59					
		Sones	12.1	13.3	13.9	14.5	15.0	15.6	16.2	17.0					
900	1184	RPM	2102	2227	2344	2455	2561	2662	2763						
		BHP	0.24	0.30	0.37	0.43	0.49	0.54	0.61						
		Sones	13.9	14.7	15.5	16.2	16.8	17.4	18.1						
1000	1316	RPM	2308	2423	2531	2634	2733								
		BHP	0.32	0.38	0.45	0.53	0.59								
		Sones	15.6	16.6	17.4	18.2	18.9								
1100	1447	RPM	2517	2623	2723										
		BHP	0.41	0.48	0.55										
		Sones	18.7	18.7	19.7										
1200	1579	RPM	2728												
		BHP	0.52												
		Sones	23												

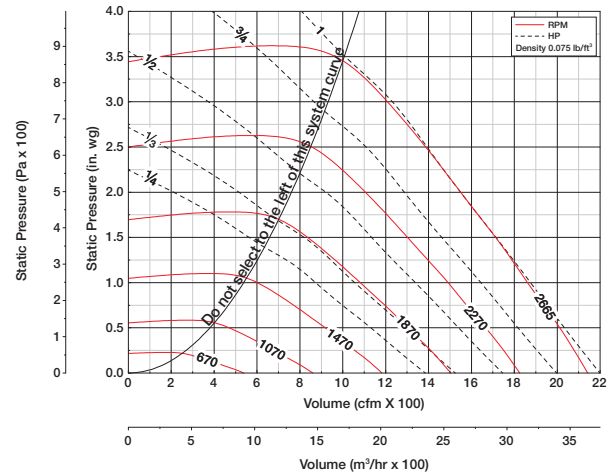
Performance certified is for installation Type B - free inlet, ducted outlet. Power rating (Bhp) does not include transmission losses. Performance ratings do not include the effects of appurtenances (accessories). The AMCA Certified Ratings Seal applies to air performance only.

SWB-110 - Belt Drive Series 100



Wheel Diameter = 11 1/8 (283)
 Shaft Diameter = 3/4 (19)
 Outlet Area = 0.76 ft² (0.07 m²)
 ^Approximate Unit Weight = 135 lb. (61 kg)

All dimensions in inches (millimeters)
 For additional discharge positions see page 13
 ^Weight shown is largest cataloged Open Drip Proof motor



Maximum BHP at a given RPM = (RPM/2665)³
 (Maximum KW at a given RPM = (RPM/2938)³)
 Maximum RPM = 2665
 Tip Speed (ft/min.) = RPM x 2.91
 (Tip Speed (m/s) = RPM x 0.0148)
 Maximum Motor Frame Size = 145T

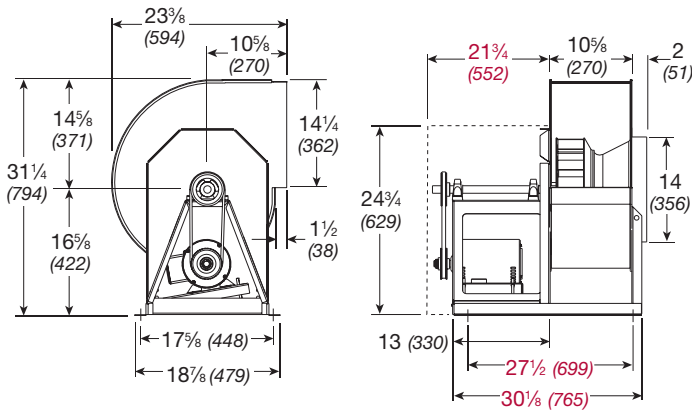
SWB-110

CFM	OV		Static Pressure in Inches wg										
			0.25	0.5	0.75	1	1.25	1.5	1.75	2	2.25	2.5	
500	658	RPM	898	1094	1264								
		BHP	0.04	0.07	0.10								
		Sones	8.5	8.8	9.0								
650	855	RPM	1040	1218	1368	1508	1635						
		BHP	0.06	0.10	0.13	0.18	0.23						
		Sones	9.0	9.2	9.4	9.9	10.5						
800	1053	RPM	1192	1356	1496	1621	1735	1849	1955	2054			
		BHP	0.09	0.13	0.18	0.22	0.27	0.33	0.39	0.45			
		Sones	9.7	9.9	10.1	10.9	11.5	11.4	12.1	13.3			
950	1250	RPM	1353	1501	1633	1750	1859	1961	2055	2153	2245	2332	
		BHP	0.13	0.18	0.23	0.28	0.34	0.39	0.45	0.52	0.59	0.66	
		Sones	10.6	10.9	11.6	12.1	12.1	12.6	13.1	14.0	15.3	16.7	
1100	1447	RPM	1519	1653	1776	1888	1991	2088	2179	2267	2349	2433	
		BHP	0.18	0.24	0.30	0.36	0.42	0.48	0.54	0.61	0.67	0.75	
		Sones	12.0	12.7	13.0	13.4	13.9	14.4	15.0	16.1	17.3	18.6	
1250	1645	RPM	1688	1813	1924	2031	2130	2222	2309	2394	2474	2551	
		BHP	0.25	0.31	0.37	0.44	0.51	0.58	0.65	0.72	0.79	0.87	
		Sones	14.2	14.3	14.8	15.5	16.2	17.0	18.2	19.3	21	21	
1400	1842	RPM	1859	1976	2080	2179	2274	2362	2446	2526	2603		
		BHP	0.33	0.40	0.47	0.54	0.62	0.70	0.77	0.85	0.93		
		Sones	16.0	16.3	17.0	17.8	18.9	20	22	23	22		
1550	2039	RPM	2033	2141	2241	2332	2421	2506	2588				
		BHP	0.43	0.51	0.59	0.67	0.75	0.83	0.91				
		Sones	18.3	18.8	19.6	21	22	23	23				
1700	2237	RPM	2211	2310	2404	2491	2573	2654					
		BHP	0.55	0.63	0.72	0.81	0.89	0.98					
		Sones	21	22	23	24	24	24					
1850	2434	RPM	2391	2480	2569	2652							
		BHP	0.69	0.78	0.88	0.97							
		Sones	24	25	25	26							
2000	2632	RPM	2571	2652									
		BHP	0.86	0.96									
		Sones	27	27									

Performance certified is for installation Type B - free inlet, ducted outlet. Power rating (Bhp) does not include transmission losses. Performance ratings do not include the effects of appurtenances (accessories). The AMCA Certified Ratings Seal applies to air performance only.

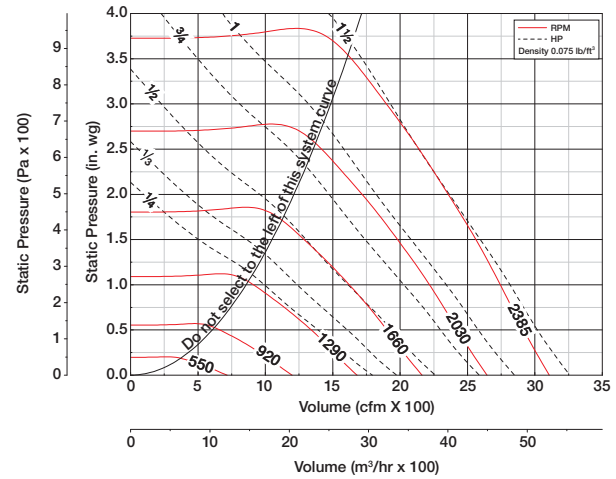
SWB-113 - Belt Drive Series 100

Note: New dimensions on this model



Wheel Diameter = 13 1/8 (333)
 Shaft Diameter = 3/4 (19)
 Outlet Area = 1.03 ft² (0.10 m²)
 ^Approximate Unit Weight = 175 lb. (79 kg)

All dimension in inches (millimeters)
 For additional discharge positions see page 13
 ^Weight shown is largest cataloged Open Drip Proof motor



Maximum BHP at a given RPM = (RPM/2084)³
 (Maximum KW at a given RPM = (RPM/2298)³)
 Maximum RPM = 2385
 Tip Speed (ft/min.) = RPM x 3.53
 (Tip Speed (m/s) = RPM x 0.0179)
 Maximum Motor Frame Size = 184T

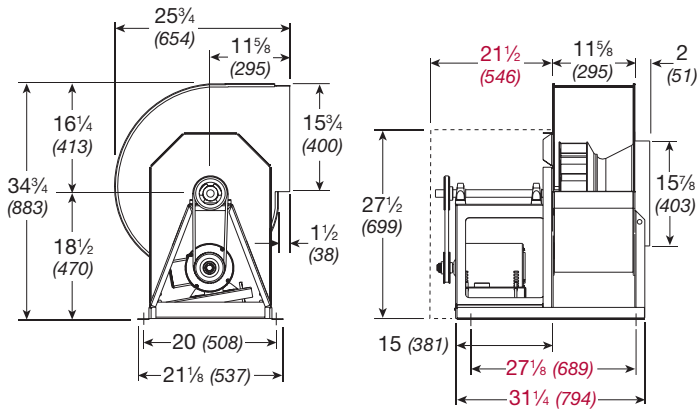
SWB-113

CFM	OV		Static Pressure in Inches wg												
			0.25	0.5	0.75	1	1.25	1.5	1.75	2	2.25	2.5			
700	680	RPM	767	939											
		BHP	0.05	0.09											
		Sones	5.4	5.7											
900	874	RPM	883	1037	1168	1291									
		BHP	0.08	0.12	0.17	0.23									
		Sones	6.2	6.9	8.3	9.0									
1100	1068	RPM	1009	1147	1269	1378	1482	1580							
		BHP	0.11	0.17	0.22	0.28	0.35	0.41							
		Sones	7.4	8.5	9.1	9.7	10.2	11.0							
1300	1262	RPM	1144	1266	1378	1480	1576	1665	1753	1837	1916				
		BHP	0.16	0.22	0.29	0.36	0.43	0.50	0.58	0.65	0.73				
		Sones	8.8	9.5	10.1	10.7	11.3	12.0	12.8	13.8	15.1				
1500	1456	RPM	1283	1391	1494	1591	1680	1766	1846	1922	1999		2073		
		BHP	0.22	0.29	0.37	0.44	0.52	0.60	0.68	0.77	0.85		0.94		
		Sones	10.0	10.8	11.5	12.2	12.9	13.6	14.3	15.2	15.8		16.4		
1700	1650	RPM	1424	1524	1617	1706	1792	1872	1948	2023	2093		2161		
		BHP	0.30	0.37	0.46	0.55	0.63	0.72	0.81	0.91	1.00		1.09		
		Sones	11.9	12.7	13.3	13.9	14.7	15.5	16.2	16.7	17.2		17.8		
1900	1845	RPM	1569	1659	1745	1828	1907	1984	2057	2126	2194		2261		
		BHP	0.39	0.48	0.57	0.66	0.76	0.86	0.96	1.06	1.16		1.27		
		Sones	13.8	14.6	15.3	16.1	16.9	17.4	17.9	18.4	18.9		19.6		
2100	2039	RPM	1714	1799	1878	1953	2029	2101	2170	2238	2302		2364		
		BHP	0.51	0.60	0.70	0.80	0.91	1.02	1.13	1.24	1.35		1.46		
		Sones	15.9	16.8	17.8	18.2	18.7	19.2	19.8	20	21		22		
2300	2233	RPM	1860	1940	2014	2085	2153	2222	2288	2352					
		BHP	0.64	0.75	0.85	0.96	1.08	1.19	1.31	1.43					
		Sones	18.1	19.0	19.7	20	21	21	22	23					
2500	2427	RPM	2007	2083	2153	2219	2284	2347							
		BHP	0.80	0.92	1.03	1.15	1.27	1.40							
		Sones	20	21	21	22	23	24							
2700	2621	RPM	2154	2228	2293	2356									
		BHP	0.99	1.12	1.24	1.36									
		Sones	22	23	24	24									

Performance certified is for installation Type B - Free inlet, Ducted outlet. Power rating (Bhp) does not include transmission losses. Performance ratings do not include the effects of appurtenances (accessories). The AMCA Certified Ratings Seal applies to air performance only.

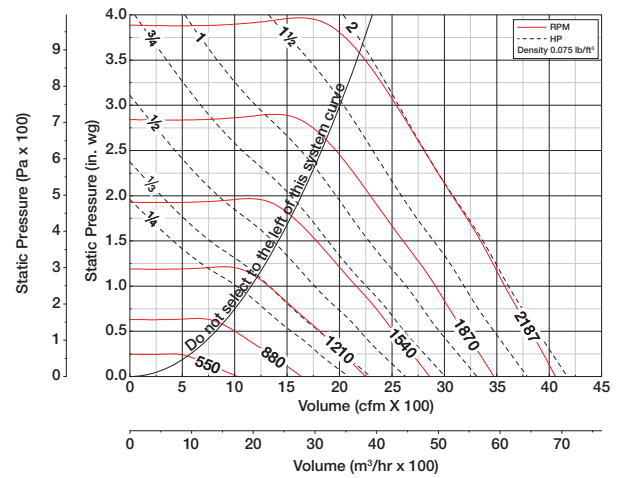
SWB-115 - Belt Drive Series 100

Note: New dimensions on this model



Wheel Diameter = 14 9/16 (370)
 Shaft Diameter = 3/4 (19)
 Outlet Area = 1.25 ft² (0.12 m²)
 ^Approximate Unit Weight = 225 lb. (102 kg)

All dimensions in inches (millimeters)
 For additional discharge positions see page 13
 ^Weight shown is largest cataloged Open Drip Proof motor



Maximum BHP at a given RPM = (RPM/1737)³
 (Maximum KW at a given RPM = (RPM/1915)³)
 Maximum RPM = 2187
 Tip Speed (ft/min.) = RPM x 3.93
 (Tip Speed (m/s) = RPM x 0.0200)
 Maximum Motor Frame Size = 184T

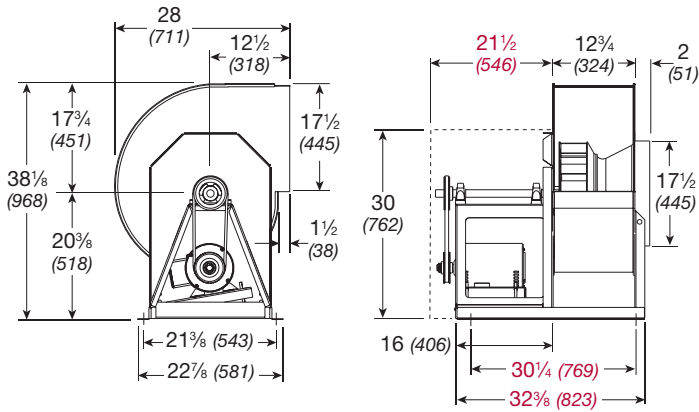
SWB-115

CFM	OV		Static Pressure in Inches wg										
			0.25	0.5	0.75	1	1.25	1.5	1.75	2	2.25	2.5	
1000	800	RPM	737	879									
		BHP	0.08	0.13									
		Sones	6.2	6.7									
1250	1000	RPM	843	976	1086	1186							
		BHP	0.11	0.18	0.24	0.31							
		Sones	6.9	7.8	8.4	8.9							
1500	1200	RPM	955	1078	1183	1276	1360	1445					
		BHP	0.16	0.24	0.32	0.39	0.47	0.56					
		Sones	8.2	9.1	9.6	10.1	10.6	11.3					
1750	1400	RPM	1075	1184	1284	1373	1455	1530	1600	1673	1746		
		BHP	0.23	0.31	0.40	0.49	0.58	0.67	0.77	0.87	0.97		
		Sones	9.6	10.3	10.9	11.4	12.0	12.5	13.1	14.1	15.1		
2000	1600	RPM	1196	1294	1389	1474	1552	1625	1695	1759	1821	1883	
		BHP	0.32	0.41	0.51	0.61	0.71	0.82	0.92	1.02	1.13	1.24	
		Sones	11.1	11.7	12.4	13.0	13.6	14.1	14.7	15.3	16.1	17.1	
2250	1800	RPM	1319	1412	1496	1578	1654	1724	1791	1854	1915	1972	
		BHP	0.42	0.53	0.63	0.75	0.86	0.98	1.09	1.21	1.32	1.44	
		Sones	12.8	13.4	14.0	14.7	15.4	16.0	16.6	17.3	18.0	18.8	
2500	2000	RPM	1444	1533	1609	1685	1758	1826	1891	1952	2010	2067	
		BHP	0.55	0.67	0.78	0.91	1.03	1.16	1.29	1.42	1.55	1.67	
		Sones	14.7	15.4	16.0	16.7	17.5	18.0	18.7	19.4	20	21	
2750	2200	RPM	1570	1654	1727	1794	1864	1931	1993	2053	2109	2164	
		BHP	0.71	0.84	0.97	1.09	1.23	1.37	1.51	1.65	1.79	1.93	
		Sones	16.7	17.6	18.3	18.8	19.4	20	21	22	22	23	
3000	2400	RPM	1698	1776	1847	1911	1973	2037	2098	2156			
		BHP	0.89	1.04	1.18	1.31	1.45	1.60	1.76	1.91			
		Sones	19.0	19.9	20	21	22	22	23	24			
3250	2600	RPM	1827	1899	1968	2030	2088	2146					
		BHP	1.11	1.26	1.42	1.57	1.71	1.87					
		Sones	21	22	23	23	24	24					
3500	2800	RPM	1956	2024	2090	2150							
		BHP	1.35	1.52	1.69	1.86							
		Sones	24	25	25	26							

Performance certified is for installation Type B - Free inlet, Ducted outlet. Power rating (Bhp) does not include transmission losses. Performance ratings do not include the effects of appurtenances (accessories). The AMCA Certified Ratings Seal applies to air performance only.

SWB-116 - Belt Drive Series 100

Note: New dimensions on this model



Wheel Diameter = 16 3/4 (425)

Shaft Diameter = 1 (25)

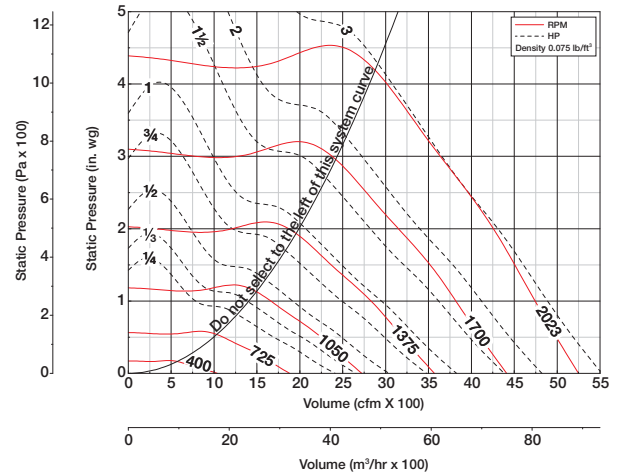
Outlet Area = 1.52 ft² (0.14 m²)

^Approximate Unit Weight = 241 lb. (109 kg)

All dimensions in inches (millimeters)

For additional discharge positions see page 13

^Weight shown is largest cataloged Open Drip Proof motor



Maximum BHP at a given RPM = (RPM/1403)³

(Maximum KW at a given RPM = (RPM/1547)³)

Maximum RPM = 2023

Tip Speed (ft/min.) = RPM x 4.32

(Tip Speed (m/s) = RPM x 0.0219)

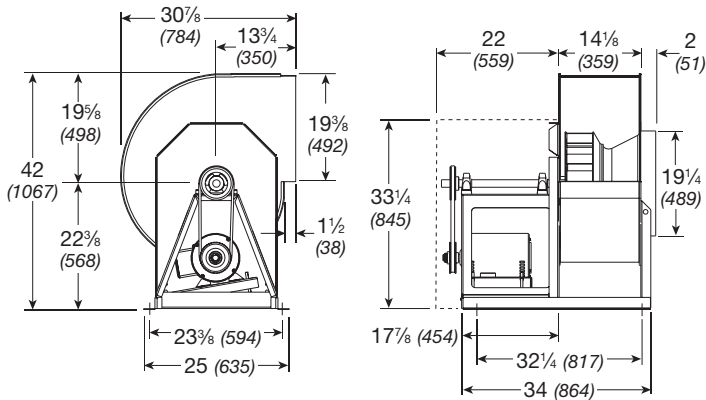
Maximum Motor Frame Size = 184T

SWB-116

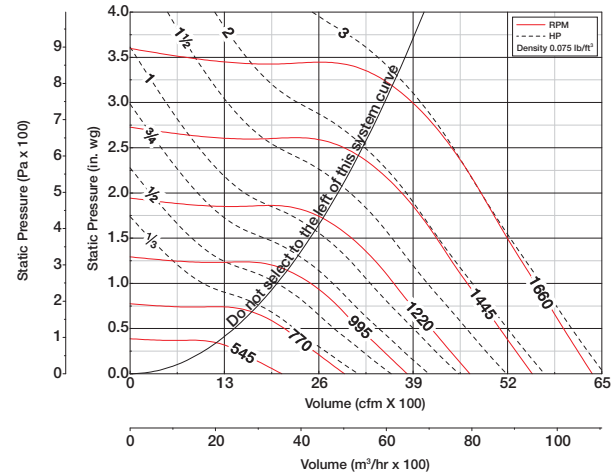
CFM	OV		Static Pressure in Inches wg										
			0.5	0.75	1	1.25	1.5	2	2.5	2.75	3	3.5	
1200	789	RPM	750										
		BHP	0.15										
		Sones	5.8										
1560	1026	RPM	846	943	1026								
		BHP	0.22	0.30	0.38								
		Sones	7.1	7.8	8.7								
1920	1263	RPM	949	1039	1120	1192	1259						
		BHP	0.31	0.40	0.50	0.60	0.71						
		Sones	8.8	9.6	10.7	11.5	12.0						
2280	1500	RPM	1061	1141	1216	1287	1352	1470	1576				
		BHP	0.42	0.53	0.65	0.76	0.88	1.12	1.38				
		Sones	10.9	11.8	12.5	12.9	13.3	14.4	16.4				
2640	1737	RPM	1182	1250	1320	1385	1448	1564	1666	1715	1762	1851	
		BHP	0.57	0.69	0.82	0.96	1.09	1.36	1.64	1.79	1.93	2.23	
		Sones	13.5	13.8	14.1	14.6	15.1	15.9	17.4	18.4	19.5	22	
3000	1974	RPM	1306	1369	1429	1490	1548	1659	1761	1808	1853	1940	
		BHP	0.76	0.89	1.03	1.18	1.34	1.64	1.95	2.11	2.26	2.59	
		Sones	15.4	15.8	16.1	16.6	17.1	18.6	19.9	21	21	22	
3360	2211	RPM	1432	1491	1545	1599	1654	1758	1857	1903	1948		
		BHP	0.99	1.14	1.29	1.45	1.62	1.96	2.30	2.47	2.64		
		Sones	17.6	18.0	18.4	18.9	19.6	21	23	23	23		
3720	2447	RPM	1560	1615	1667	1716	1764	1863	1955	2001			
		BHP	1.27	1.43	1.60	1.76	1.94	2.32	2.70	2.89			
		Sones	20	21	21	22	23	24	25	26			
4080	2684	RPM	1690	1742	1790	1837	1881	1971					
		BHP	1.60	1.78	1.96	2.14	2.32	2.72					
		Sones	23	24	25	25	26	27					
4440	2921	RPM	1821	1869	1916	1960	2002						
		BHP	1.99	2.18	2.38	2.58	2.77						
		Sones	27	28	28	29	30						
4800	3158	RPM	1953	1999									
		BHP	2.44	2.65									
		Sones	32	32									

Performance certified is for installation Type B - Free inlet, Ducted outlet. Power rating (Bhp) does not include transmission losses. Performance ratings do not include the effects of appurtenances (accessories). The AMCA Certified Ratings Seal applies to air performance only.

SWB-118 - Belt Drive Series 100



Wheel Diameter = 18 1/2 (470)
 Shaft Diameter = 1 (25)
 Outlet Area = 1.87 ft² (0.17 m²)
 ^Approximate Unit Weight = 312 lb. (142 kg)
 All dimensions in inches (millimeters)
 For additional discharge positions see page 13
 ^Weight shown is largest cataloged Open Drip Proof motor



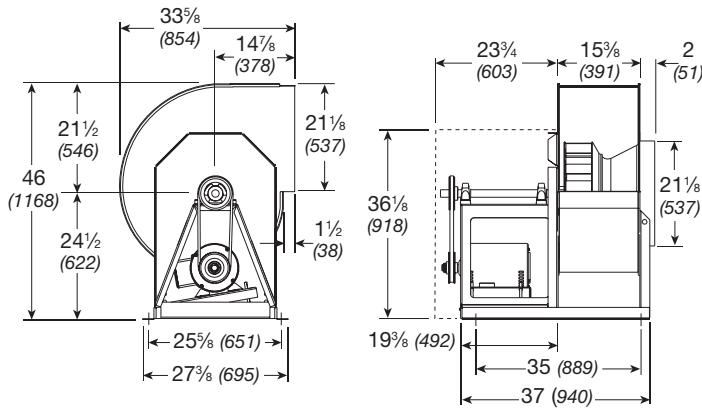
Maximum BHP at a given RPM = (RPM/1150)³
 (Maximum KW at a given RPM = (RPM/1268)³)
 Maximum RPM = 1660
 Tip Speed (ft/min.) = RPM x 4.78
 (Tip Speed (m/s) = RPM x 0.0243)
 Maximum Motor Frame Size = 213T

SWB-118

CFM	OV		Static Pressure in Inches wg												
			0.25	0.5	0.75	1	1.25	1.5	1.75	2	2.25	2.5			
1500	802	RPM	545	667											
		BHP	0.11	0.19											
		Sones	5.6	6.6											
1900	1016	RPM	628	728	826										
		BHP	0.16	0.25	0.36										
		Sones	6.5	7.2	7.8										
2300	1230	RPM	717	806	887	969	1044								
		BHP	0.24	0.34	0.45	0.58	0.71								
		Sones	7.7	8.2	8.9	9.9	11.2								
2700	1444	RPM	808	892	964	1032	1102	1170	1233						
		BHP	0.34	0.46	0.59	0.71	0.86	1.01	1.17						
		Sones	9.1	9.8	10.5	11.4	12.5	13.3	14.3						
3100	1658	RPM	902	980	1047	1109	1169	1229	1291	1349	1403				
		BHP	0.46	0.61	0.75	0.89	1.04	1.20	1.37	1.55	1.73				
		Sones	10.9	11.7	12.5	13.2	13.9	14.8	16.3	17.0	16.8				
3500	1872	RPM	997	1070	1135	1191	1247	1301	1352	1407	1461	1513			
		BHP	0.62	0.78	0.95	1.11	1.27	1.43	1.60	1.79	1.99	2.19			
		Sones	13.1	14.1	14.6	15.2	15.8	17.0	17.9	17.5	17.8	18.4			
3900	2086	RPM	1095	1162	1223	1279	1329	1379	1428	1475	1521	1572			
		BHP	0.82	1.00	1.18	1.36	1.54	1.72	1.90	2.08	2.27	2.49			
		Sones	15.5	16.3	16.9	17.6	18.7	18.4	18.5	18.8	19.2	19.7			
4300	2299	RPM	1193	1256	1314	1367	1417	1462	1506	1552	1596	1638			
		BHP	1.06	1.25	1.45	1.65	1.85	2.04	2.24	2.44	2.64	2.85			
		Sones	17.6	18.6	19.7	19.8	20	20	20	20	21	21			
4700	2513	RPM	1291	1351	1405	1457	1505	1550	1591	1631					
		BHP	1.34	1.55	1.77	1.98	2.20	2.42	2.63	2.85					
		Sones	20	21	21	21	22	22	23	23					
5100	2727	RPM	1391	1447	1499	1548	1594	1638							
		BHP	1.67	1.90	2.13	2.37	2.60	2.84							
		Sones	22	23	23	23	24	25							
5500	2941	RPM	1491	1544	1593	1640									
		BHP	2.05	2.31	2.55	2.80									
		Sones	24	25	25	25									

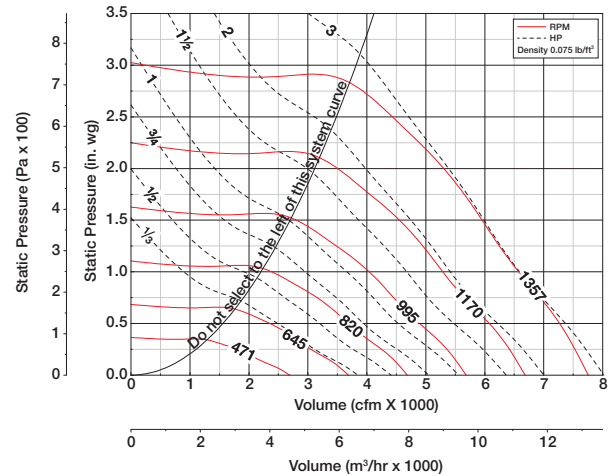
Performance certified is for installation Type B - Free inlet, Ducted outlet. Power rating (Bhp) does not include transmission losses. Performance ratings do not include the effects of appurtenances (accessories). The AMCA Certified Ratings Seal applies to air performance only.

SWB-120 - Belt Drive Series 100



Wheel Diameter = 21 1/8 (543)
 Shaft Diameter = 1 (25)
 Outlet Area = 2.23 ft² (0.21 m²)
 ^Approximate Unit Weight = 374 lb. (170 kg)

All dimensions in inches (millimeters)
 For additional discharge positions see page 13
 ^Weight shown is largest cataloged Open Drip Proof motor



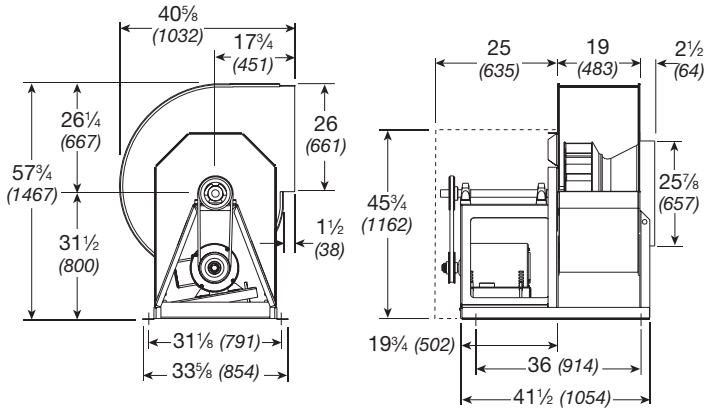
Maximum BHP at a given RPM = (RPM/943)³
 (Maximum KW at a given RPM = (RPM/1040)³)
 Maximum RPM = 1357
 Tip Speed (ft/min.) = RPM x 5.23
 (Tip Speed (m/s) = RPM x 0.0266)
 Maximum Motor Frame Size = 215T

SWB-120

CFM	OV		Static Pressure in Inches wg										
			0.25	0.5	0.75	1	1.25	1.5	1.75	2	2.25	2.5	
1800	807	RPM	471	591									
		BHP	0.12	0.22									
		Sones	6.5	6.5									
2250	1009	RPM	528	633	728	811							
		BHP	0.17	0.29	0.42	0.56							
		Sones	6.6	6.7	8.0	9.4							
2700	1211	RPM	593	686	770	850	923	989					
		BHP	0.25	0.38	0.52	0.68	0.84	1.01					
		Sones	7.1	7.3	8.1	9.5	11.2	12.3					
3150	1413	RPM	658	743	820	892	962	1028	1088	1145			
		BHP	0.34	0.49	0.64	0.81	0.99	1.18	1.37	1.57			
		Sones	7.9	8.3	9.1	10.2	11.2	12.4	13.5	14.6			
3600	1614	RPM	723	807	877	943	1006	1068	1128	1184	1237	1287	
		BHP	0.45	0.62	0.79	0.98	1.17	1.37	1.58	1.80	2.02	2.24	
		Sones	9.0	10.0	10.9	11.6	12.4	13.0	13.7	14.9	16.4	18.0	
4050	1816	RPM	791	873	937	999	1057	1113	1169	1223	1276	1326	
		BHP	0.59	0.79	0.97	1.17	1.38	1.59	1.82	2.05	2.29	2.53	
		Sones	10.7	12.3	13.0	13.4	14.3	15.0	15.1	15.5	16.6	18.2	
4500	2018	RPM	861	937	1001	1057	1113	1166	1217	1267	1316		
		BHP	0.75	0.98	1.19	1.40	1.62	1.85	2.09	2.33	2.58		
		Sones	13.1	14.4	15.1	15.3	16.2	16.5	16.4	16.7	17.8		
4950	2220	RPM	931	1002	1067	1121	1171	1222	1270	1316			
		BHP	0.94	1.20	1.45	1.67	1.90	2.15	2.40	2.65			
		Sones	15.9	15.9	16.8	17.4	17.2	17.0	17.2	18.1			
5400	2422	RPM	1003	1069	1132	1186	1234	1280	1327				
		BHP	1.16	1.45	1.73	1.98	2.23	2.48	2.75				
		Sones	17.6	17.8	18.5	18.5	18.1	18.0	18.7				
5850	2623	RPM	1076	1137	1196	1252	1298	1342					
		BHP	1.42	1.74	2.04	2.34	2.60	2.87					
		Sones	19.3	19.8	19.3	19.3	19.7	20					
6300	2825	RPM	1151	1207	1262	1316							
		BHP	1.73	2.06	2.40	2.71							
		Sones	21	21	20	21							

Performance certified is for installation Type B - Free inlet, Ducted outlet. Power rating (Bhp) does not include transmission losses. Performance ratings do not include the effects of appurtenances (accessories). The AMCA Certified Ratings Seal applies to air performance only.

SWB-124 - Belt Drive Series 100



Wheel Diameter = 24 1/2 (622)

Shaft Diameter = 1 (25)

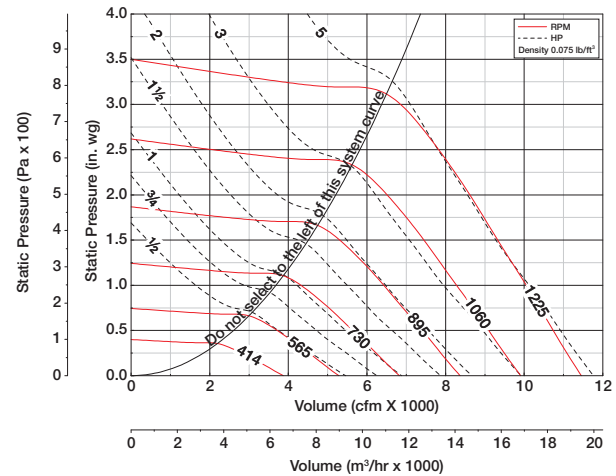
Outlet Area = 3.40 ft² (0.32 m²)

^Approximate Unit Weight = 546 lb. (248 kg)

All dimensions in inches (millimeters)

For additional discharge positions see page 13

^Weight shown is largest cataloged Open Drip Proof motor



Maximum BHP at a given RPM = (RPM/713)³

(Maximum KW at a given RPM = (RPM/786)³)

Maximum RPM = 1225

Tip Speed (ft/min.) = RPM x 6.41

(Tip Speed (m/s) = RPM x 0.0326)

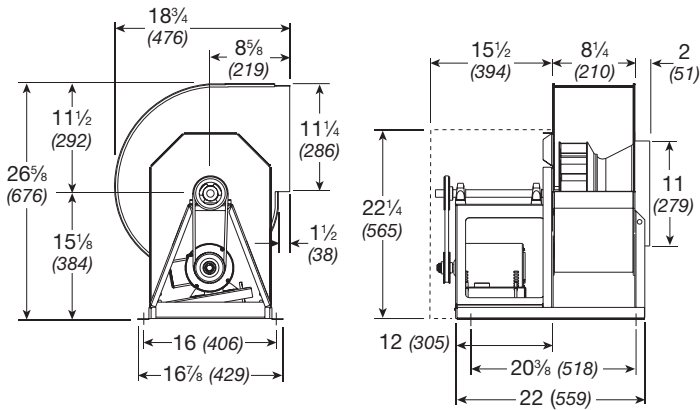
Maximum Motor Frame Size = 256T

SWB-124

CFM	OV		Static Pressure in Inches wg												
			0.25	0.5	0.75	1	1.25	1.5	1.75	2	2.25	2.5			
2800	824	RPM	413												
		BHP	0.19												
		Sones	4.9												
3400	1000	RPM	464	541											
		BHP	0.27	0.43											
		Sones	6.0	6.9											
4000	1176	RPM	517	588	651										
		BHP	0.38	0.56	0.74										
		Sones	7.5	8.3	9.2										
4600	1353	RPM	572	638	696	751									
		BHP	0.51	0.71	0.92	1.14									
		Sones	9.1	9.8	10.7	11.8									
5200	1529	RPM	629	691	744	795	843								
		BHP	0.66	0.91	1.13	1.37	1.62								
		Sones	11.0	11.6	12.7	14.0	14.4								
5800	1706	RPM	687	745	795	843	888	930							
		BHP	0.86	1.13	1.39	1.64	1.91	2.18							
		Sones	12.9	13.8	15.5	15.6	15.3	15.7							
6400	1882	RPM	746	800	849	893	935	976	1014	1055					
		BHP	1.09	1.38	1.68	1.96	2.24	2.54	2.83	3.15					
		Sones	14.7	16.4	16.8	17.2	17.3	17.6	18.0	18.5					
7000	2059	RPM	806	856	903	945	984	1024	1061	1097	1132	1170			
		BHP	1.37	1.68	2.01	2.32	2.63	2.94	3.26	3.59	3.92	4.26			
		Sones	16.5	17.6	18.2	19.2	19.8	19.9	20	20	21	21			
7600	2235	RPM	867	913	958	999	1037	1073	1109	1144	1177	1209			
		BHP	1.69	2.03	2.38	2.74	3.07	3.40	3.74	4.09	4.44	4.79			
		Sones	18.0	19.0	19.9	21	22	22	22	23	23	23			
8200	2412	RPM	927	971	1013	1053	1090	1125	1158	1192	1224				
		BHP	2.07	2.43	2.80	3.19	3.56	3.92	4.28	4.64	5.02				
		Sones	20	21	22	23	24	25	25	25	25				
8800	2588	RPM	989	1030	1070	1108	1144	1178	1210						
		BHP	2.50	2.88	3.27	3.69	4.11	4.49	4.87						
		Sones	23	23	24	24	25	26							

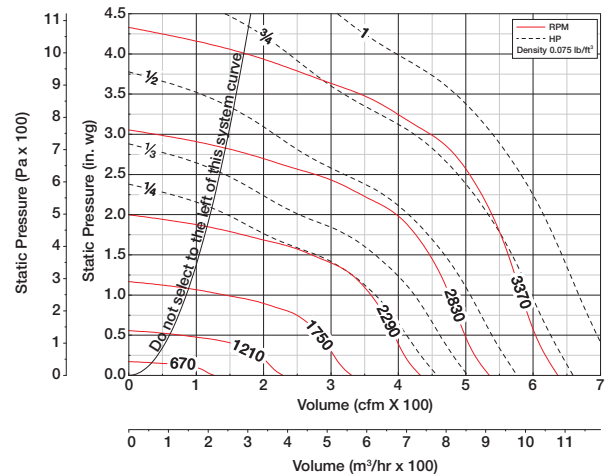
Performance certified is for installation Type B - Free inlet, Ducted outlet. Power rating (Bhp) does not include transmission losses. Performance ratings do not include the effects of appurtenances (accessories). The AMCA Certified Ratings Seal applies to air performance only.

SWB-206 - Belt Drive Series 200



Wheel Diameter = 11 5/8 (283)
 Shaft Diameter = 3/4 (19)
 Outlet Area = 0.63 ft² (0.06 m²)
 ^Approximate Unit Weight = 140 lb. (64 kg)

All dimensions in inches (millimeters)
 For additional discharge positions see page 13
 ^Weight shown is largest cataloged Open Drip Proof motor



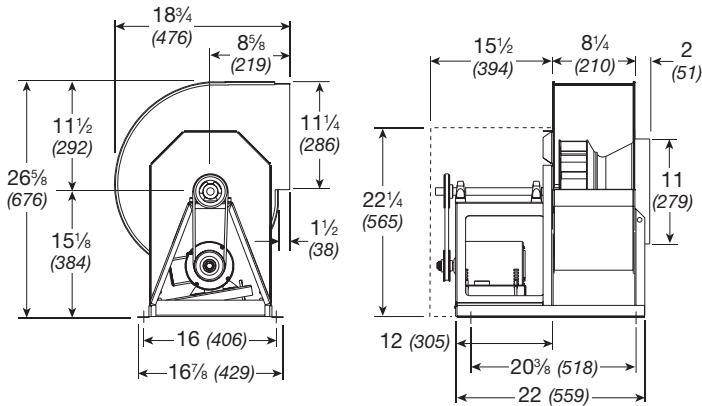
Maximum BHP at a given RPM = (RPM/3629)³
 (Maximum KW at a given RPM = (RPM/4001)³)
 Maximum RPM = 3370
 Tip Speed (ft/min.) = RPM x 2.91
 (Tip Speed (m/s) = RPM x 0.0148)
 Maximum Motor Frame Size = 145T

SWB-206

CFM	OV		Static Pressure in Inches wg										
			0.5	1	1.5	1.75	2	2.5	2.75	3	3.5	3.75	
70	111	RPM	1201										
		BHP	0.03										
		Sones	6.4										
120	190	RPM	1262	1722	2079	2238							
		BHP	0.04	0.09	0.16	0.20							
		Sones	6.8	9.2	11.9	13.2							
170	270	RPM	1350	1786	2137	2292	2435	2698	2822	2941	3165	3272	
		BHP	0.05	0.11	0.19	0.23	0.27	0.35	0.40	0.45	0.56	0.62	
		Sones	7.4	9.8	12.5	13.8	15.0	17.8	19.1	20	22	24	
220	349	RPM	1489	1868	2203	2355	2497	2760	2881	2997	3216	3319	
		BHP	0.07	0.13	0.22	0.26	0.31	0.40	0.45	0.51	0.61	0.67	
		Sones	8.0	10.7	13.3	14.5	15.8	18.6	19.7	21	23	24	
270	429	RPM	1693	1975	2289	2429	2566	2825	2945	3059	3277		
		BHP	0.10	0.16	0.25	0.29	0.35	0.45	0.51	0.57	0.68		
		Sones	9.0	11.8	14.2	15.3	16.7	19.4	20	22	24		
320	508	RPM	1921	2138	2395	2529	2659	2898	3014	3128	3343		
		BHP	0.14	0.20	0.28	0.33	0.39	0.50	0.56	0.62	0.75		
		Sones	10.5	12.9	15.2	16.5	17.8	20	21	22	25		
370	587	RPM	2169	2341	2540	2643	2767	2998	3108	3213			
		BHP	0.19	0.26	0.34	0.39	0.44	0.55	0.62	0.68			
		Sones	12.1	14.2	16.4	17.6	19.0	21	22	23			
420	667	RPM	2422	2567	2721	2817	2907	3108	3213	3313			
		BHP	0.26	0.33	0.41	0.46	0.51	0.62	0.68	0.74			
		Sones	13.7	15.8	18.1	19.2	20	22	23	24			
470	746	RPM	2678	2802	2943	3010	3087	3252	3330				
		BHP	0.35	0.42	0.51	0.55	0.60	0.71	0.77				
		Sones	15.8	17.7	19.7	21	22	24	24				
520	825	RPM	2936	3051	3170	3234	3296						
		BHP	0.45	0.53	0.62	0.67	0.72						
		Sones	18.5	19.3	21	22	23						
570	905	RPM	3196	3303									
		BHP	0.58	0.67									
		Sones	22	21									

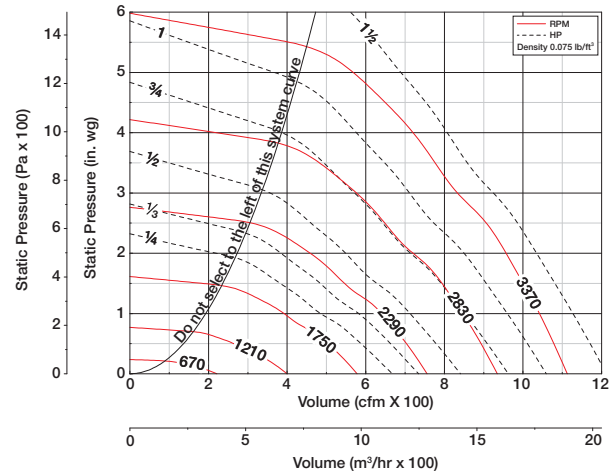
Performance certified is for installation Type B - Free inlet, Ducted outlet. Power rating (Bhp) does not include transmission losses. Performance ratings do not include the effects of appurtenances (accessories). The AMCA Certified Ratings Seal applies to air performance only.

SWB-207 - Belt Drive Series 200



Wheel Diameter = 11 1/8 (283)
 Shaft Diameter = 3/4 (19)
 Outlet Area = 0.63 ft² (0.06 m²)
 ^Approximate Unit Weight = 140 lb. (64 kg)

All dimensions in inches (millimeters)
 For additional discharge positions see page 13
 ^Weight shown is largest cataloged Open Drip Proof motor



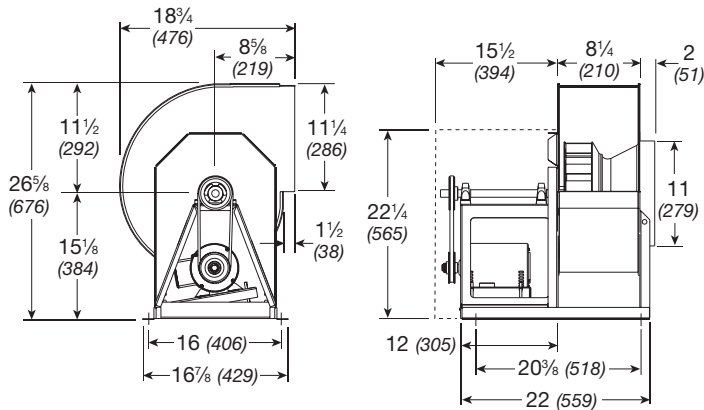
Maximum BHP at a given RPM = (RPM/3099)³
 (Maximum KW at a given RPM = (RPM/3417)³)
 Maximum RPM = 3370
 Tip Speed (ft./min.) = RPM x 2.91
 (Tip Speed (m/s) = RPM x 0.0148)
 Maximum Motor Frame Size = 145T

SWB-207

CFM	OV		Static Pressure in Inches wg										
			0.5	1	1.5	2	2.5	3	3.5	4	4.5	5	
200	317	RPM	1098	1458									
		BHP	0.04	0.10									
		Sones	6.2	9.1									
280	444	RPM	1244	1549	1808	2060							
		BHP	0.06	0.12	0.19	0.27							
		Sones	7.3	9.7	11.1	13.3							
360	571	RPM	1415	1687	1923	2139	2333	2534					
		BHP	0.09	0.16	0.23	0.32	0.40	0.51					
		Sones	8.5	10.7	12.1	14.1	15.7	17.7					
440	698	RPM	1591	1855	2064	2259	2446	2618	2777	2941	3103	3255	
		BHP	0.13	0.21	0.29	0.38	0.48	0.58	0.68	0.80	0.94	1.07	
		Sones	10.0	12.4	14.2	15.5	17.4	19.1	21	22	24	25	
520	825	RPM	1793	2023	2230	2406	2577	2735	2893	3040	3179	3311	
		BHP	0.19	0.28	0.37	0.47	0.57	0.68	0.79	0.91	1.03	1.16	
		Sones	12.6	15.0	16.5	17.9	19.5	21	23	24	25	26	
600	952	RPM	2007	2195	2404	2574	2725	2878	3021	3158	3295		
		BHP	0.26	0.35	0.47	0.57	0.68	0.80	0.92	1.04	1.17		
		Sones	16.0	17.1	18.9	21	22	24	25	26	27		
680	1079	RPM	2226	2395	2565	2751	2898	3034	3168	3300			
		BHP	0.36	0.45	0.57	0.70	0.81	0.93	1.06	1.20			
		Sones	18.4	19.5	21	23	25	25	26	28			
760	1206	RPM	2449	2600	2751	2911	3075	3208	3332				
		BHP	0.47	0.58	0.69	0.83	0.97	1.11	1.24				
		Sones	22	23	24	26	27	28	29				
840	1333	RPM	2678	2815	2951	3084	3235						
		BHP	0.61	0.73	0.85	0.98	1.13						
		Sones	25	27	27	28	29						
920	1460	RPM	2909	3034	3156	3282							
		BHP	0.78	0.90	1.03	1.17							
		Sones	28	29	30	31							
1000	1587	RPM	3142	3255									
		BHP	0.97	1.11									
		Sones	30	32									

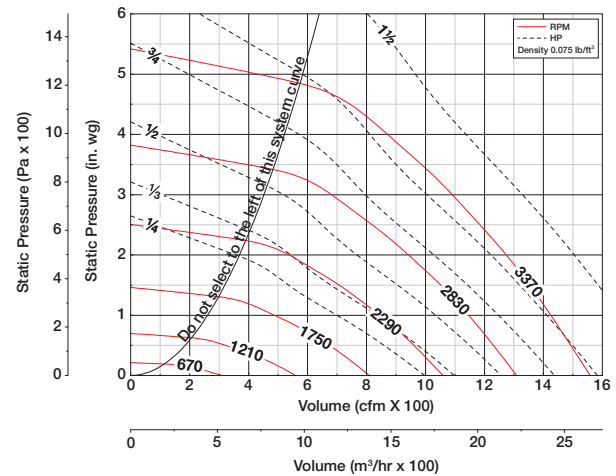
Performance certified is for installation Type B - Free inlet, Ducted outlet. Power rating (Bhp) does not include transmission losses. Performance ratings do not include the effects of appurtenances (accessories). The AMCA Certified Ratings Seal applies to air performance only.

SWB-208 - Belt Drive Series 200



Wheel Diameter = 11 1/8 (283)
 Shaft Diameter = 3/4 (19)
 Outlet Area = 0.63 ft² (0.06 m²)
 ^Approximate Unit Weight = 140 lb. (64 kg)

All dimensions in inches (millimeters)
 For additional discharge positions see page 13
 ^Weight shown is largest cataloged Open Drip Proof motor



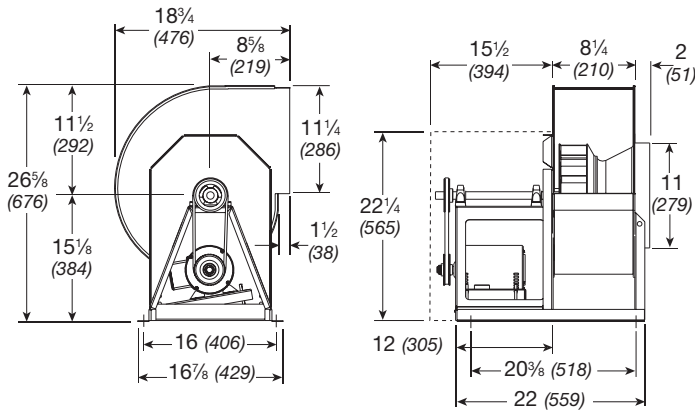
Maximum BHP at a given RPM = $(RPM/3242)^3$
 (Maximum KW at a given RPM = $(RPM/3574)^3$)
 Maximum RPM = 3370
 Tip Speed (ft/min.) = RPM x 2.91
 (Tip Speed (m/s) = RPM x 0.0148)
 Maximum Motor Frame Size = 145T

SWB-208

CFM	OV		Static Pressure in Inches wg										
			0.5	0.75	1	1.5	2	2.5	3	3.5	4	4.5	
250	397	RPM	1125	1343									
		BHP	0.04	0.06									
		Sones	7.0	8.0									
370	587	RPM	1270	1451	1610	1909	2172						
		BHP	0.06	0.09	0.11	0.18	0.26						
		Sones	7.7	8.3	8.8	10.9	13.2						
490	778	RPM	1445	1606	1753	2014	2240	2472	2681	2874			
		BHP	0.09	0.12	0.16	0.23	0.30	0.39	0.49	0.59			
		Sones	8.6	9.1	9.7	11.4	13.1	15.3	17.6	19.9			
610	968	RPM	1640	1785	1918	2160	2378	2575	2755	2941	3121	3289	
		BHP	0.12	0.16	0.21	0.29	0.38	0.47	0.56	0.67	0.79	0.91	
		Sones	9.2	10.5	11.3	12.5	14.4	16.2	18.1	21	22	23	
730	1159	RPM	1852	1980	2101	2323	2528	2715	2892	3056	3210	3357	
		BHP	0.18	0.22	0.27	0.37	0.47	0.57	0.68	0.79	0.90	1.01	
		Sones	11.2	12.4	12.9	13.8	14.8	17.8	19.9	22	22	23	
850	1349	RPM	2076	2189	2298	2505	2693	2871	3039	3196	3348		
		BHP	0.24	0.29	0.34	0.45	0.57	0.69	0.81	0.93	1.06		
		Sones	13.5	14.1	14.6	15.6	16.5	17.6	18.6	22	23		
970	1540	RPM	2310	2409	2507	2697	2874	3041	3198	3350			
		BHP	0.33	0.38	0.44	0.56	0.69	0.82	0.95	1.09			
		Sones	15.3	16.0	16.6	17.7	18.6	19.5	20	21			
1090	1730	RPM	2548	2637	2725	2896	3065	3222					
		BHP	0.44	0.50	0.56	0.69	0.82	0.97					
		Sones	17.5	18.1	18.8	20	21	21					
1210	1921	RPM	2790	2872	2951	3110	3263						
		BHP	0.57	0.63	0.70	0.84	0.98						
		Sones	19.9	21	21	22	23						
1330	2111	RPM	3035	3111	3184	3329							
		BHP	0.73	0.80	0.87	1.02							
		Sones	22	23	24	25							
1450	2302	RPM	3282	3352									
		BHP	0.91	0.99									
		Sones	26	25									

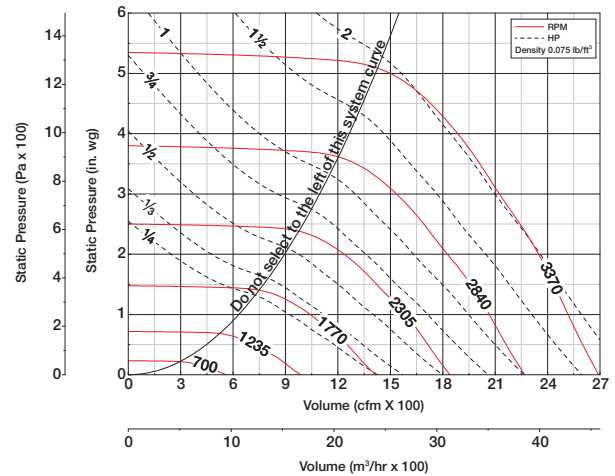
Performance certified is for installation Type B - Free inlet, Ducted outlet. Power rating (Bhp) does not include transmission losses. Performance ratings do not include the effects of appurtenances (accessories). The AMCA Certified Ratings Seal applies to air performance only.

SWB-210 - Belt Drive Series 200



Wheel Diameter = 11 1/8 (283)
 Shaft Diameter = 3/4 (19)
 Outlet Area = 0.63 ft² (0.06 m²)
 ^Approximate Unit Weight = 140 lb. (64 kg)

All dimensions in inches (millimeters)
 For additional discharge positions see page 13
 ^Weight shown is largest cataloged Open Drip Proof motor



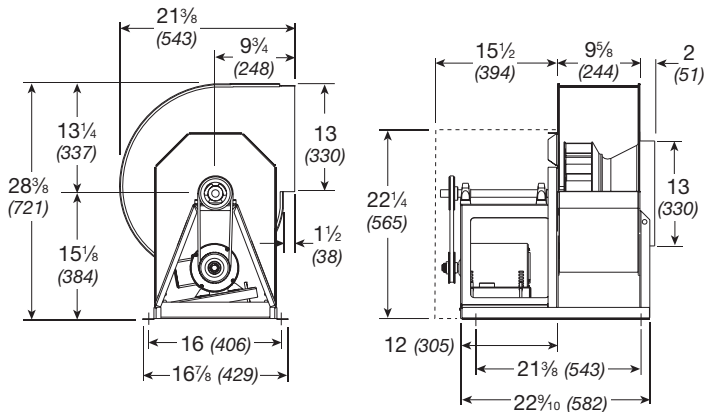
Maximum BHP at a given RPM = (RPM/2649)³
 (Maximum KW at a given RPM = (RPM/2921)³)
 Maximum RPM = 3370
 Tip Speed (ft/min.) = RPM x 2.91
 (Tip Speed (m/s) = RPM x 0.0148)
 Maximum Motor Frame Size = 145T

SWB-210

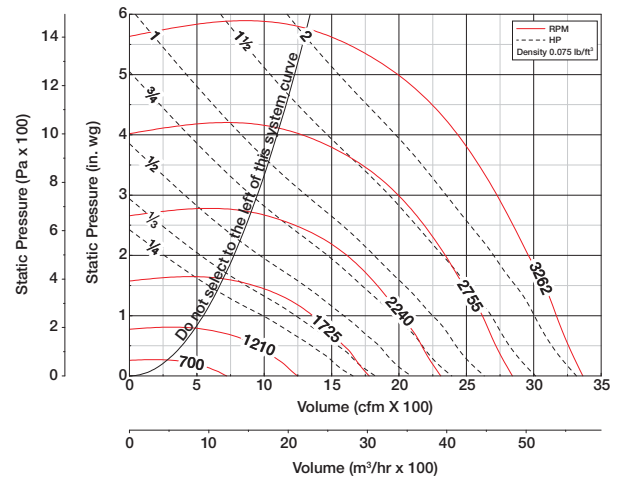
CFM	OV		Static Pressure in Inches wg										
			0.5	1	1.5	2	2.5	3	3.5	4	4.5	5	
625	992	RPM	1158	1501	1809								
		BHP	0.08	0.17	0.27								
		Sones	6.3	7.6	9.4								
800	1270	RPM	1311	1583	1846	2106	2334						
		BHP	0.12	0.21	0.31	0.44	0.58						
		Sones	7.4	8.2	9.8	11.9	13.9						
975	1548	RPM	1480	1714	1936	2143	2371	2578	2768				
		BHP	0.17	0.27	0.38	0.50	0.65	0.81	0.97				
		Sones	8.6	9.5	10.7	12.4	14.3	15.4	16.6				
1150	1825	RPM	1661	1872	2063	2250	2431	2615	2805	2982	3148	3305	
		BHP	0.24	0.35	0.47	0.60	0.74	0.90	1.07	1.26	1.45	1.65	
		Sones	10.0	11.0	12.3	13.9	14.8	15.8	17.1	18.3	19.5	21	
1325	2103	RPM	1853	2041	2214	2379	2541	2704	2854	3019	3185	3342	
		BHP	0.32	0.45	0.58	0.72	0.87	1.03	1.19	1.38	1.58	1.79	
		Sones	11.9	12.9	14.3	15.2	15.9	16.7	17.6	18.8	20	21	
1500	2381	RPM	2054	2214	2381	2528	2676	2815	2964	3103	3235		
		BHP	0.43	0.57	0.72	0.87	1.03	1.20	1.37	1.55	1.73		
		Sones	14.0	15.1	16.0	16.6	17.3	18.1	18.8	19.6	21		
1675	2659	RPM	2258	2402	2550	2694	2825	2958	3082	3214	3344		
		BHP	0.56	0.71	0.88	1.05	1.21	1.39	1.58	1.77	1.96		
		Sones	16.5	17.0	17.6	18.3	19.0	19.7	20	21	22		
1850	2937	RPM	2465	2594	2724	2863	2990	3108	3229	3345			
		BHP	0.72	0.89	1.06	1.25	1.43	1.61	1.81	2.01			
		Sones	18.3	18.7	19.3	20	21	21	22	23			
2025	3214	RPM	2674	2793	2913	3034	3159	3274					
		BHP	0.91	1.09	1.28	1.47	1.68	1.88					
		Sones	20	21	21	22	23	23					
2200	3492	RPM	2885	2996	3104	3214	3329						
		BHP	1.13	1.33	1.53	1.73	1.95						
		Sones	22	23	24	24	25						
2375	3770	RPM	3096	3201	3300								
		BHP	1.39	1.60	1.82								
		Sones	25	25	26								

Performance certified is for installation Type B - Free inlet, Ducted outlet. Power rating (Bhp) does not include transmission losses. Performance ratings do not include the effects of appurtenances (accessories). The AMCA Certified Ratings Seal applies to air performance only.

SWB-212 - Belt Drive Series 200



Wheel Diameter = 12 1/4 (311)
 Shaft Diameter = 1 (25)
 Outlet Area = 0.85 ft² (0.08 m²)
 ^Approximate Unit Weight = 170 lb. (77 kg)
 All dimensions in inches (millimeters)
 For additional discharge positions see page 13
 ^Weight shown is largest cataloged Open Drip Proof motor



Maximum BHP at a given RPM = (RPM/2372)³
 (Maximum KW at a given RPM = (RPM/2615)³)
 Maximum RPM = 3262
 Tip Speed (ft/min.) = RPM x 3.21
 (Tip Speed (m/s) = RPM x 0.0163)
 Maximum Motor Frame Size = 145T

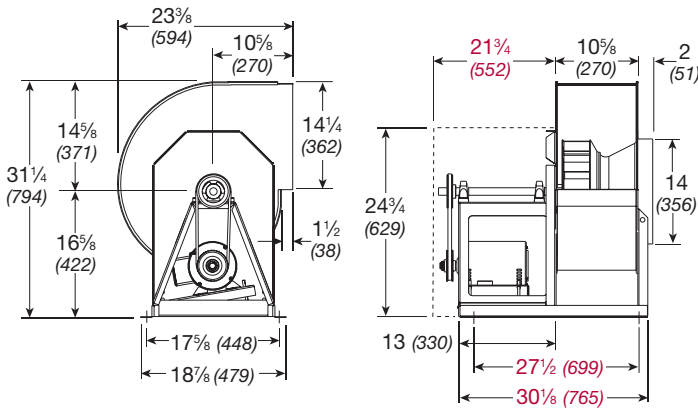
SWB-212

CFM	OV		Static Pressure in Inches wg												
			0.5	1	1.5	2	2.5	3	3.5	4	4.5	5			
600	706	RPM	1022	1372											
		BHP	0.08	0.16											
		Sones	6.0	7.9											
850	1000	RPM	1150	1447	1710	1941									
		BHP	0.11	0.21	0.33	0.45									
		Sones	7.2	8.5	10.4	12.7									
1100	1294	RPM	1325	1561	1799	2005	2208	2392	2562	2719					
		BHP	0.17	0.28	0.42	0.56	0.71	0.87	1.03	1.20					
		Sones	8.7	9.8	11.4	13.6	15.2	16.5	17.8	19.0					
1350	1588	RPM	1522	1728	1913	2113	2291	2457	2625	2783	2931	3071			
		BHP	0.25	0.38	0.52	0.68	0.85	1.03	1.21	1.40	1.59	1.79			
		Sones	10.5	11.7	13.2	14.9	16.0	17.2	18.5	19.8	21	23			
1600	1882	RPM	1732	1905	2080	2233	2404	2564	2712	2851	2995	3135			
		BHP	0.36	0.51	0.67	0.84	1.02	1.21	1.41	1.62	1.83	2.05			
		Sones	12.8	14.0	15.7	16.5	17.4	18.4	19.5	21	22	23			
1850	2176	RPM	1947	2104	2255	2403	2538	2679	2825	2962	3091				
		BHP	0.50	0.66	0.84	1.03	1.22	1.43	1.65	1.87	2.10				
		Sones	15.6	16.8	17.6	18.4	19.2	20	21	22	23				
2100	2471	RPM	2177	2312	2443	2578	2708	2830	2944	3076					
		BHP	0.69	0.86	1.05	1.26	1.47	1.69	1.91	2.16					
		Sones	18.4	19.0	19.7	21	21	22	23	24					
2350	2765	RPM	2409	2524	2646	2761	2883	3001	3112						
		BHP	0.92	1.10	1.31	1.53	1.76	2.00	2.24						
		Sones	21	21	22	23	24	25	26						
2600	3059	RPM	2641	2739	2855	2962	3065								
		BHP	1.20	1.39	1.62	1.85	2.10								
		Sones	23	24	25	26	27								
2850	3353	RPM	2874	2968	3067	3169									
		BHP	1.53	1.75	1.98	2.23									
		Sones	27	27	28	29									
3100	3647	RPM	3108	3199											
		BHP	1.91	2.17											
		Sones	30	31											

Performance certified is for installation Type B - Free inlet, Ducted outlet. Power rating (Bhp) does not include transmission losses. Performance ratings do not include the effects of appurtenances (accessories). The AMCA Certified Ratings Seal applies to air performance only.

SWB-213 - Belt Drive Series 200

Note: New dimensions on this model



Wheel Diameter = $13\frac{1}{2}$ (343)

Shaft Diameter = 1 (25)

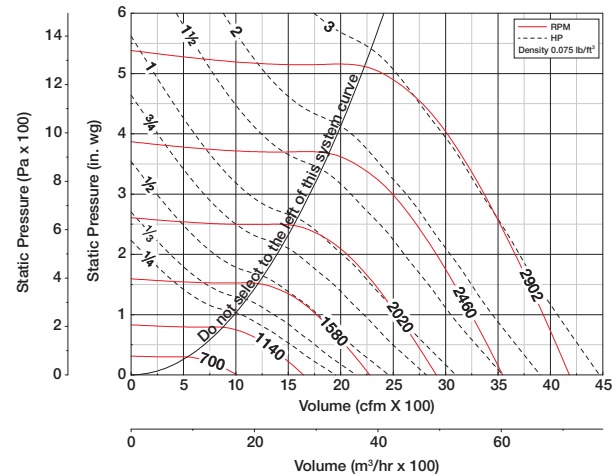
Outlet Area = 1.03 ft² (0.10 m²)

^Approximate Unit Weight = 183 lb. (83 kg)

All dimensions in inches (millimeters)

For additional discharge positions see page 13

^Weight shown is largest cataloged Open Drip Proof motor



Maximum BHP at a given RPM = $(RPM/2002)^3$

(Maximum KW at a given RPM = $(RPM/2207)^3$)

Maximum RPM = 2902

Tip Speed (ft/min.) = RPM x 3.53

(Tip Speed (m/s) = RPM x 0.0179)

Maximum Motor Frame Size = 184T

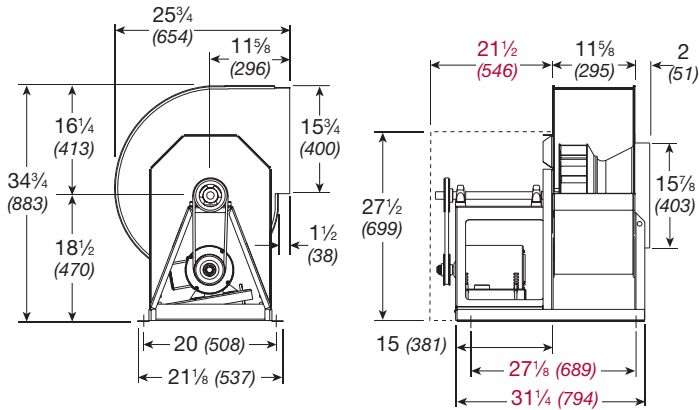
SWB-213

CFM	OV		Static Pressure in Inches wg										
			0.5	0.75	1	1.5	2	2.5	3	3.5	4	4.5	
1000	971	RPM	998	1144	1287								
		BHP	0.12	0.18	0.24								
		Sones	6.9	7.5	8.4								
1280	1243	RPM	1134	1248	1358	1585							
		BHP	0.18	0.24	0.31	0.46							
		Sones	8.2	8.7	9.2	11.0							
1560	1515	RPM	1290	1384	1478	1660	1850	2034					
		BHP	0.26	0.33	0.40	0.56	0.74	0.95					
		Sones	9.6	10.2	10.8	12.2	14.2	15.8					
1840	1786	RPM	1457	1540	1619	1778	1931	2093	2249				
		BHP	0.37	0.45	0.53	0.70	0.89	1.10	1.32				
		Sones	11.5	12.0	12.6	14.1	15.5	16.5	17.7				
2120	2058	RPM	1629	1703	1775	1913	2051	2181	2318	2462	2596	2730	
		BHP	0.51	0.59	0.69	0.87	1.08	1.29	1.52	1.77	2.03	2.31	
		Sones	13.7	14.2	15.0	16.3	17.1	17.9	18.8	19.8	21	23	
2400	2330	RPM	1807	1874	1938	2063	2184	2307	2423	2543	2665	2790	
		BHP	0.68	0.78	0.88	1.09	1.30	1.53	1.78	2.03	2.29	2.58	
		Sones	16.4	17.0	17.3	18.1	18.8	19.7	20	21	22	24	
2680	2602	RPM	1987	2048	2107	2222	2332	2440	2550	2656	2758	2869	
		BHP	0.89	1.01	1.12	1.34	1.58	1.81	2.07	2.34	2.62	2.90	
		Sones	18.8	19.0	19.3	20	21	22	22	23	24	25	
2960	2874	RPM	2170	2226	2280	2386	2489	2587	2685	2784	2884		
		BHP	1.14	1.27	1.40	1.64	1.89	2.16	2.42	2.69	2.99		
		Sones	21	21	21	22	23	24	25	26	27		
3240	3146	RPM	2355	2407	2457	2555	2650	2744	2832				
		BHP	1.44	1.58	1.72	1.99	2.26	2.54	2.83				
		Sones	23	23	24	25	25	26	27				
3520	3417	RPM	2541	2589	2636	2727	2816						
		BHP	1.79	1.94	2.10	2.40	2.68						
		Sones	26	26	27	27	28						
3800	3689	RPM	2729	2773	2817								
		BHP	2.19	2.36	2.53								
		Sones	29	30	30								

Performance certified is for installation Type B - Free inlet, Ducted outlet. Power rating (Bhp) does not include transmission losses. Performance ratings do not include the effects of appurtenances (accessories). The AMCA Certified Ratings Seal applies to air performance only.

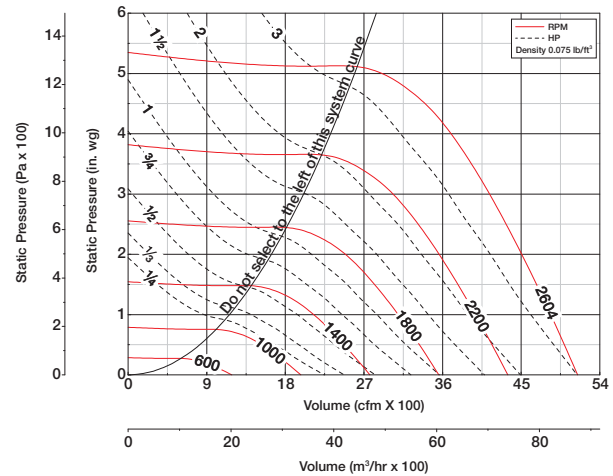
SWB-215 - Belt Drive Series 200

Note: New dimensions on this model



Wheel Diameter = 15 (381)
 Shaft Diameter = 1 (25)
 Outlet Area = 1.25 ft² (0.12 m²)
 ^Approximate Unit Weight = 231 lb. (105 kg)

All dimensions in inches (millimeters)
 For additional discharge positions see page 13
 ^Weight shown is largest cataloged Open Drip Proof motor



Maximum BHP at a given RPM = $(RPM/1679)^3$
 (Maximum KW at a given RPM = $(RPM/1851)^3$)
 Maximum RPM = 2604
 Tip Speed (ft/min.) = RPM x 3.93
 (Tip Speed (m/s) = RPM x 0.0200)
 Maximum Motor Frame Size = 184T

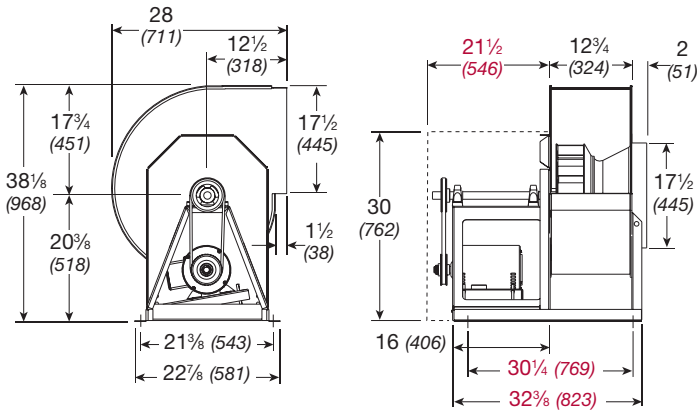
SWB-215

CFM	OV		Static Pressure in Inches wg										
			0.5	0.75	1	1.5	2	2.5	3	3.5	4	4.5	
1200	960	RPM	886	1024	1157								
		BHP	0.15	0.21	0.29								
		Sones	6.9	7.5	8.5								
1550	1240	RPM	1009	1112	1214	1421							
		BHP	0.22	0.29	0.37	0.56							
		Sones	8.2	8.7	9.3	11.2							
1900	1520	RPM	1150	1236	1322	1487	1661	1830					
		BHP	0.32	0.40	0.49	0.68	0.91	1.16					
		Sones	9.7	10.2	10.8	12.3	14.4	15.9					
2250	1800	RPM	1301	1377	1449	1593	1732	1879	2020	2165			
		BHP	0.45	0.54	0.64	0.85	1.09	1.34	1.61	1.92			
		Sones	11.5	12.1	12.7	14.2	15.6	16.6	17.9	19.3			
2600	2080	RPM	1458	1525	1591	1715	1840	1958	2083	2213	2333	2456	
		BHP	0.62	0.72	0.84	1.07	1.32	1.58	1.86	2.17	2.48	2.83	
		Sones	13.8	14.3	15.0	16.3	17.2	18.0	19.0	20	21	23	
2950	2360	RPM	1620	1680	1738	1852	1961	2072	2176	2285	2396		
		BHP	0.83	0.96	1.08	1.33	1.59	1.88	2.18	2.49	2.81		
		Sones	16.5	17.0	17.4	18.2	19.0	19.8	21	22	23		
3300	2640	RPM	1785	1839	1893	1996	2095	2193	2293	2388			
		BHP	1.09	1.23	1.37	1.65	1.94	2.23	2.54	2.88			
		Sones	19.0	19.2	19.4	20	21	22	23	24			
3650	2920	RPM	1951	2001	2050	2145	2238	2326	2416				
		BHP	1.41	1.56	1.72	2.02	2.33	2.66	2.98				
		Sones	21	21	22	22	23	24	25				
4000	3200	RPM	2120	2166	2211	2299	2385						
		BHP	1.78	1.95	2.13	2.46	2.79						
		Sones	24	24	24	25	26						
4350	3480	RPM	2290	2332	2374	2456							
		BHP	2.21	2.41	2.60	2.97							
		Sones	26	27	27	28							
4700	3760	RPM	2460	2500									
		BHP	2.72	2.93									
		Sones	30	30									

Performance certified is for installation Type B - Free inlet, Ducted outlet. Power rating (Bhp) does not include transmission losses. Performance ratings do not include the effects of appurtenances (accessories). The AMCA Certified Ratings Seal applies to air performance only.

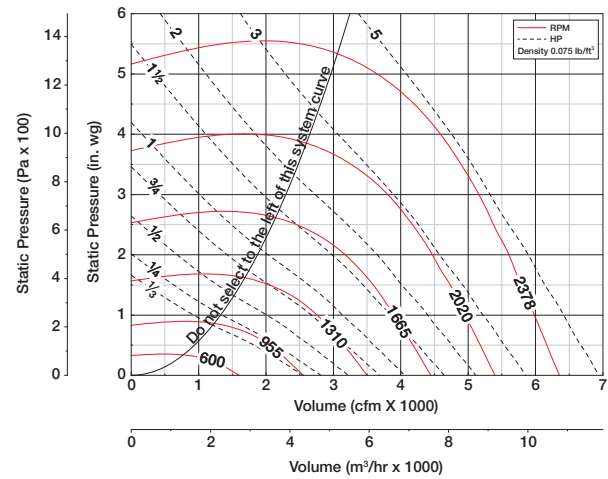
SWB-216 - Belt Drive Series 200

Note: New dimensions on this model



Wheel Diameter = 16 1/2 (419)
 Shaft Diameter = 1 1/4 (32)
 Outlet Area = 1.52 ft² (0.14 m²)
 ^Approximate Unit Weight = 251 lb. (114 kg)

All dimensions in inches (millimeters)
 For additional discharge positions see page 13
 ^Weight shown is largest cataloged Open Drip Proof motor



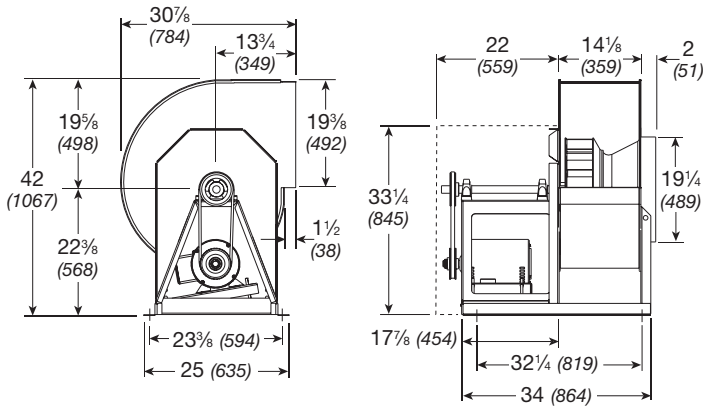
Maximum BHP at a given RPM = (RPM/1414)³
 (Maximum KW at a given RPM = (RPM/1559)³)
 Maximum RPM = 2378
 Tip Speed (ft/min.) = RPM x 4.32
 (Tip Speed (m/s) = RPM x 0.0219)
 Maximum Motor Frame Size = 184T

SWB-216

CFM	OV		Static Pressure in Inches wg										
			0.5	0.75	1	1.5	2	2.5	3	3.5	4	4.5	
1200	789	RPM	762	900									
		BHP	0.15	0.22									
		Sones	5.9	6.9									
1650	1086	RPM	848	959	1072	1267							
		BHP	0.22	0.31	0.40	0.61							
		Sones	7.1	7.6	8.4	10.4							
2100	1382	RPM	970	1059	1147	1322	1487	1632					
		BHP	0.32	0.42	0.53	0.77	1.03	1.30					
		Sones	8.5	9.0	9.6	11.1	13.3	14.8					
2550	1678	RPM	1109	1182	1255	1400	1543	1687	1818	1939			
		BHP	0.46	0.58	0.70	0.96	1.25	1.56	1.88	2.21			
		Sones	10.1	10.6	11.2	12.7	14.4	15.6	16.8	18.1			
3000	1974	RPM	1256	1320	1381	1505	1629	1749	1874	1994	2106	2211	
		BHP	0.65	0.79	0.92	1.20	1.52	1.85	2.20	2.57	2.94	3.33	
		Sones	12.2	12.7	13.3	14.7	15.7	16.6	17.6	18.9	20	21	
3450	2270	RPM	1410	1462	1520	1626	1734	1841	1949	2050	2162	2267	
		BHP	0.90	1.04	1.20	1.51	1.84	2.20	2.57	2.96	3.38	3.80	
		Sones	14.6	15.1	15.7	16.6	17.4	18.3	19.2	20	21	22	
3900	2566	RPM	1566	1616	1661	1758	1853	1950	2042	2141	2234	2324	
		BHP	1.21	1.37	1.53	1.89	2.24	2.61	3.01	3.43	3.86	4.30	
		Sones	17.5	17.6	17.9	18.5	19.3	20	21	22	23	24	
4350	2862	RPM	1724	1770	1813	1900	1985	2069	2156	2239	2326		
		BHP	1.59	1.78	1.95	2.34	2.73	3.11	3.53	3.97	4.43		
		Sones	19.7	19.9	20	21	21	22	23	24	25		
4800	3158	RPM	1884	1926	1967	2042	2124	2200	2277	2355			
		BHP	2.05	2.25	2.45	2.85	3.29	3.72	4.14	4.60			
		Sones	22	22	23	23	24	25	26	27			
5250	3454	RPM	2046	2084	2123	2194	2265	2338					
		BHP	2.60	2.81	3.04	3.46	3.92	4.41					
		Sones	25	25	25	26	27	28					
5700	3750	RPM	2208	2244	2279	2348							
		BHP	3.25	3.47	3.71	4.19							
		Sones	28	29	29	30							

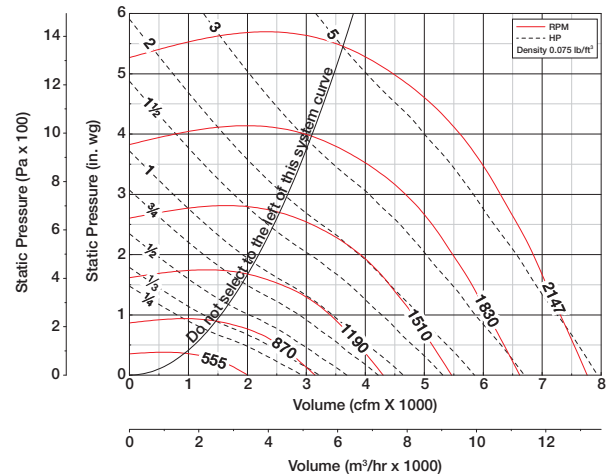
Performance certified is for installation Type B - Free inlet, Ducted outlet. Power rating (Bhp) does not include transmission losses. Performance ratings do not include the effects of appurtenances (accessories). The AMCA Certified Ratings Seal applies to air performance only.

SWB-218 - Belt Drive Series 200



Wheel Diameter = 18 1/4 (464)
 Shaft Diameter = 1 1/4 (32)
 Outlet Area = 1.87 ft² (0.17 m²)
 ^Approximate Unit Weight = 324 lb. (147 kg)

All dimensions in inches (millimeters)
 For additional discharge positions see page 13
 ^Weight shown is largest cataloged Open Drip Proof motor



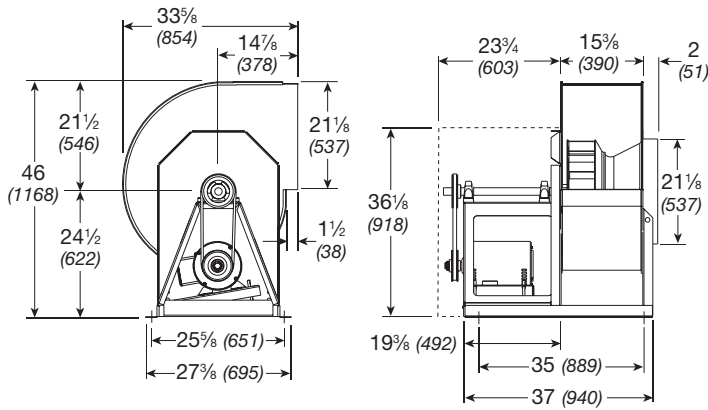
Maximum BHP at a given RPM = (RPM/1196)³
 (Maximum KW at a given RPM = (RPM/1319)³)
 Maximum RPM = 2147
 Tip Speed (ft/min.) = RPM x 4.78
 (Tip Speed (m/s) = RPM x 0.0243)
 Maximum Motor Frame Size = 213T

SWB-218

CFM	OV		Static Pressure in Inches wg										
			0.5	1	1.5	2	2.5	3	3.5	4	4.5	5	
2000	1070	RPM	762	963	1136								
		BHP	0.26	0.49	0.75								
		Sones	10.1	11.3	13.4								
2500	1337	RPM	862	1023	1185	1330	1459						
		BHP	0.37	0.62	0.92	1.24	1.58						
		Sones	10.1	11.6	13.0	15.2	17.9						
3000	1604	RPM	974	1110	1245	1380	1507	1623	1730				
		BHP	0.52	0.80	1.12	1.47	1.85	2.24	2.65				
		Sones	11.5	12.6	13.9	15.5	18.3	21	24				
3500	1872	RPM	1092	1211	1327	1443	1557	1672	1779	1878	1971	2060	
		BHP	0.72	1.03	1.36	1.74	2.15	2.58	3.02	3.48	3.95	4.43	
		Sones	13.6	14.2	15.2	16.8	19.1	22	25	27	29	31	
4000	2139	RPM	1218	1322	1423	1525	1626	1727	1828	1927	2020	2108	
		BHP	0.97	1.32	1.68	2.07	2.51	2.95	3.43	3.93	4.44	4.96	
		Sones	15.7	16.4	17.3	18.7	21	23	25	27	29	32	
4500	2406	RPM	1346	1438	1530	1619	1709	1800	1890	1979	2069		
		BHP	1.28	1.66	2.07	2.48	2.92	3.41	3.90	4.42	4.96		
		Sones	18.2	18.8	19.6	21	23	24	26	28	30		
5000	2764	RPM	1475	1557	1643	1723	1804	1885	1967	2048			
		BHP	1.66	2.08	2.52	2.97	3.43	3.91	4.45	5.00			
		Sones	21	21	22	24	25	26	28	29			
5500	2941	RPM	1605	1683	1758	1834	1907	1981	2055				
		BHP	2.10	2.58	3.04	3.54	4.03	4.54	5.07				
		Sones	24	24	25	26	27	28	30				
6000	3209	RPM	1737	1810	1877	1949	2017	2084					
		BHP	2.63	3.15	3.65	4.18	4.72	5.25					
		Sones	27	28	28	29	30	31					
6500	3476	RPM	1869	1938	2002	2065	2131						
		BHP	3.26	3.81	4.37	4.91	5.49						
		Sones	31	31	31	32	33						
7000	3743	RPM	2003	2067	2128								
		BHP	3.98	4.57	5.18								
		Sones	34	35	35								

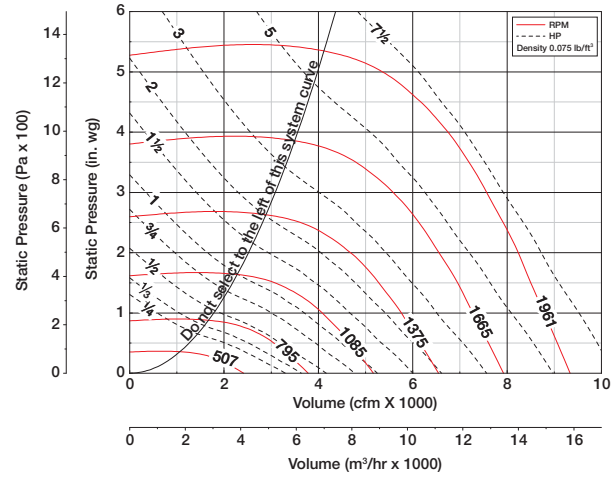
Performance certified is for installation Type B - Free inlet, Ducted outlet. Power rating (Bhp) does not include transmission losses. Performance ratings do not include the effects of appurtenances (accessories). The AMCA Certified Ratings Seal applies to air performance only.

SWB-220 - Belt Drive Series 200



Wheel Diameter = 20 (508)
 Shaft Diameter = 1 1/4 (32)
 Outlet Area = 2.23 ft² (0.21 m²)
 ^Approximate Unit Weight = 389 lb. (176 kg)

All dimensions in inches (millimeters)
 For additional discharge positions see page 13
 ^Weight shown is largest cataloged Open Drip Proof motor

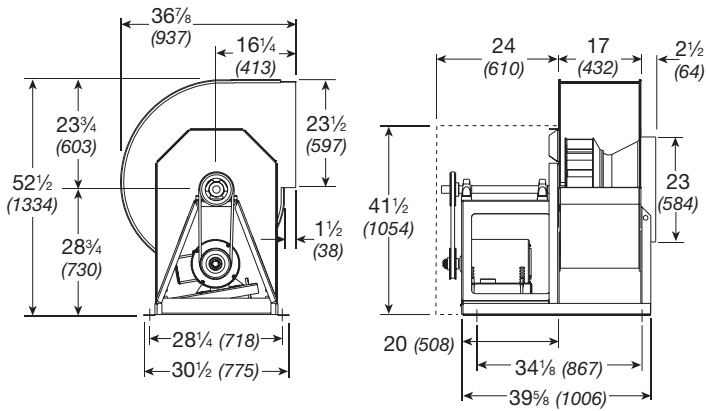


SWB-220

CFM	OV		Static Pressure in Inches wg										
			0.5	1	1.5	2	2.5	3	3.5	4	4.5	4.75	
2000	897	RPM	647	860									
		BHP	0.25	0.51									
		Sones	8.7	11.5									
2650	1188	RPM	731	897	1065	1206							
		BHP	0.36	0.65	1.00	1.39							
		Sones	9.2	11.2	13.4	15.9							
3300	1480	RPM	836	970	1104	1243	1367	1480					
		BHP	0.53	0.85	1.21	1.64	2.10	2.58					
		Sones	10.6	12.1	13.5	15.8	19.0	22					
3950	1771	RPM	951	1064	1177	1289	1405	1517	1621	1717	1807	1851	
		BHP	0.76	1.11	1.51	1.94	2.43	2.96	3.51	4.08	4.67	4.97	
		Sones	13.0	13.7	14.9	16.4	19.4	23	26	28	30	32	
4600	2063	RPM	1072	1171	1267	1364	1461	1556	1658	1754	1845	1888	
		BHP	1.06	1.46	1.88	2.35	2.85	3.38	3.98	4.60	5.23	5.55	
		Sones	15.2	15.8	16.8	18.4	21	23	26	28	31	32	
5250	2354	RPM	1198	1285	1370	1454	1539	1624	1708	1792	1882	1925	
		BHP	1.44	1.88	2.35	2.84	3.37	3.94	4.52	5.15	5.83	6.18	
		Sones	17.8	18.4	19.4	21	23	25	26	28	31	32	
5900	2646	RPM	1325	1401	1481	1555	1630	1706	1781	1857	1932		
		BHP	1.90	2.40	2.92	3.45	4.00	4.58	5.23	5.87	6.52		
		Sones	21	21	22	24	25	26	28	30	32		
6550	2937	RPM	1453	1525	1594	1664	1731	1799	1867	1935			
		BHP	2.47	3.04	3.59	4.18	4.76	5.37	6.01	6.70			
		Sones	24	25	25	26	27	29	30	32			
7200	3229	RPM	1583	1650	1711	1777	1840	1900					
		BHP	3.15	3.78	4.37	5.01	5.66	6.30					
		Sones	28	28	28	29	30	32					
7850	3520	RPM	1714	1776	1835	1892	1952						
		BHP	3.97	4.64	5.32	5.96	6.67						
		Sones	31	32	32	33	34						
8500	3812	RPM	1846	1904	1960								
		BHP	4.92	5.63	6.38								
		Sones	36	36	37								

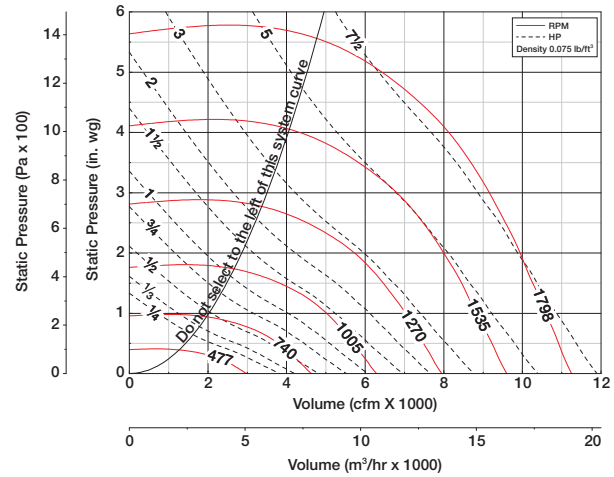
Performance certified is for installation Type B - Free inlet, Ducted outlet. Power rating (Bhp) does not include transmission losses. Performance ratings do not include the effects of appurtenances (accessories). The AMCA Certified Ratings Seal applies to air performance only.

SWB-222 - Belt Drive Series 200



Wheel Diameter = 22 1/4 (565)
 Shaft Diameter = 1 1/4 (32)
 Outlet Area = 2.74 ft² (0.25 m²)
 ^Approximate Unit Weight = 450 lb. (204 kg)

All dimensions in inches (millimeters)
 For additional discharge positions see page 13
 ^Weight shown is largest cataloged Open Drip Proof motor



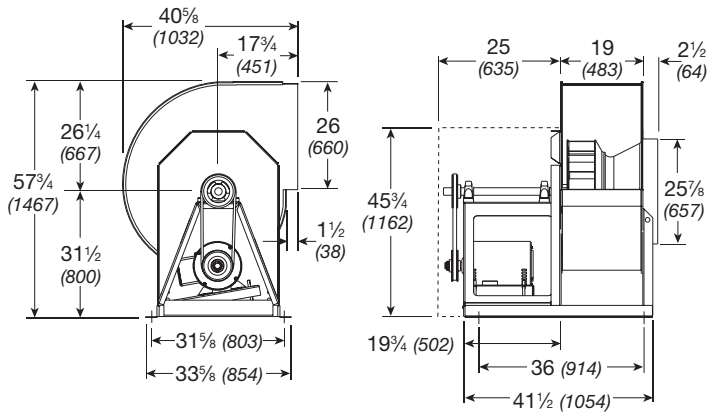
Maximum BHP at a given RPM = (RPM/897)³
 (Maximum KW at a given RPM = (RPM/989)³)
 Maximum RPM = 1798
 Tip Speed (ft./min.) = RPM x 5.82
 (Tip Speed (m/s) = RPM x 0.0296)
 Maximum Motor Frame Size = 215T

SWB-222

CFM	OV		Static Pressure in Inches wg										
			0.5	1	1.5	2	2.5	3	3.5	4	4.5	5	
2500	912	RPM	602	783	949								
		BHP	0.30	0.59	0.93								
		Sones	9.3	11.5	14.3								
3250	1186	RPM	677	831	971	1099	1226						
		BHP	0.43	0.77	1.15	1.56	2.01						
		Sones	9.7	11.5	13.8	16.6	20						
4000	1460	RPM	768	892	1019	1137	1241	1347	1452				
		BHP	0.61	0.99	1.43	1.88	2.36	2.88	3.42				
		Sones	11.2	12.6	14.3	16.8	20	24	27				
4750	1734	RPM	868	975	1080	1186	1289	1383	1470	1556	1648	1735	
		BHP	0.86	1.27	1.75	2.27	2.80	3.36	3.92	4.52	5.16	5.82	
		Sones	13.6	14.2	15.6	17.7	21	24	27	29	32	35	
5500	2007	RPM	976	1065	1158	1249	1339	1432	1518	1598	1674	1746	
		BHP	1.18	1.64	2.14	2.70	3.30	3.91	4.54	5.18	5.84	6.51	
		Sones	15.8	16.5	17.5	19.5	22	25	27	30	32	35	
6250	2281	RPM	1085	1164	1244	1326	1405	1487	1567	1647	1722	1793	
		BHP	1.60	2.09	2.64	3.22	3.85	4.53	5.22	5.92	6.63	7.36	
		Sones	18.4	19.0	20	22	24	26	28	30	33	35	
7000	2555	RPM	1197	1267	1339	1410	1484	1553	1628	1698	1771		
		BHP	2.10	2.66	3.23	3.85	4.52	5.20	5.95	6.73	7.50		
		Sones	21	22	23	25	26	27	29	31	34		
7750	2828	RPM	1310	1376	1439	1503	1568	1635	1698	1764			
		BHP	2.71	3.32	3.95	4.61	5.30	6.03	6.78	7.59			
		Sones	25	25	26	27	28	30	31	33			
8500	3102	RPM	1424	1485	1542	1601	1659	1719	1780				
		BHP	3.43	4.12	4.80	5.47	6.22	6.98	7.78				
		Sones	29	29	29	30	31	32	34				
9250	3376	RPM	1539	1596	1650	1703	1756						
		BHP	4.28	5.04	5.77	6.51	7.25						
		Sones	32	32	33	34	35						
10000	3650	RPM	1655	1708	1760								
		BHP	5.28	6.10	6.87								
		Sones	36	37	37								

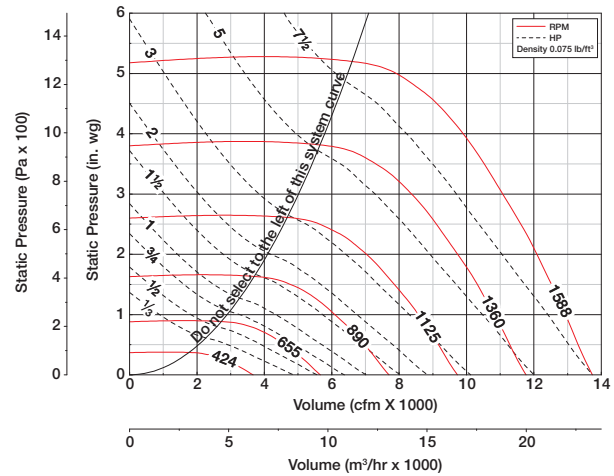
Performance certified is for installation Type B - Free inlet, Ducted outlet. Power rating (Bhp) does not include transmission losses. Performance ratings do not include the effects of appurtenances (accessories). The AMCA Certified Ratings Seal applies to air performance only.

SWB-224 - Belt Drive Series 200



Wheel Diameter = 24 1/2 (622)
 Shaft Diameter = 1 1/2 (38)
 Outlet Area = 3.40 ft² (0.32 m²)
 ^Approximate Unit Weight = 568 lb. (258 kg)

All dimensions in inches (millimeters)
 For additional discharge positions see page 13
 ^Weight shown is largest cataloged Open Drip Proof motor



Maximum BHP at a given RPM = (RPM/749)³
 (Maximum KW at a given RPM = (RPM/826)³)
 Maximum RPM = 1588
 Tip Speed (ft./min.) = RPM x 6.41
 (Tip Speed (m/s) = RPM x 0.0326)
 Maximum Motor Frame Size = 256T

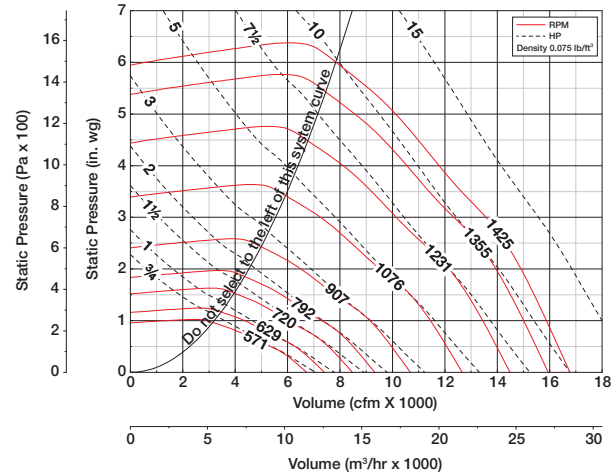
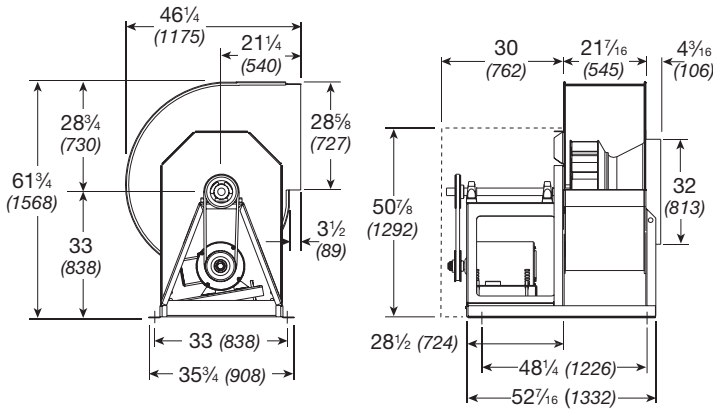
SWB-224

CFM	OV		Static Pressure in Inches wg										
			0.5	0.75	1	1.5	2	2.5	3	3.5	4	4.5	
3000	882	RPM	526	614	699								
		BHP	0.34	0.51	0.71								
		Sones	7.4	9.1	12.7								
3900	1147	RPM	594	659	726	861							
		BHP	0.50	0.68	0.89	1.37							
		Sones	8.5	9.4	10.4	14.5							
4800	1412	RPM	674	729	783	890	1001	1106					
		BHP	0.71	0.92	1.14	1.64	2.20	2.84					
		Sones	10.0	11.0	11.7	13.2	16.1	18.9					
5700	1676	RPM	760	809	856	945	1036	1126	1221	1309			
		BHP	1.00	1.24	1.49	2.01	2.60	3.22	3.95	4.72			
		Sones	12.4	13.0	13.5	14.7	16.5	19.1	22	25			
6600	1941	RPM	851	894	936	1015	1093	1171	1251	1329	1411	1487	
		BHP	1.36	1.64	1.92	2.49	3.11	3.77	4.49	5.24	6.10	6.98	
		Sones	14.5	15.2	15.8	17.0	18.2	20	23	25	27	29	
7500	2206	RPM	946	982	1020	1093	1162	1230	1300	1369	1438	1508	
		BHP	1.82	2.13	2.44	3.09	3.74	4.45	5.19	5.98	6.80	7.65	
		Sones	17.1	17.8	18.6	19.7	21	22	24	26	27	29	
8400	2471	RPM	1041	1076	1108	1175	1240	1301	1362	1423	1484		
		BHP	2.38	2.73	3.08	3.79	4.51	5.24	6.03	6.85	7.69		
		Sones	20	21	22	23	24	25	25	26	28		
9300	2735	RPM	1139	1170	1200	1261	1320	1378	1433	1489			
		BHP	3.07	3.44	3.83	4.60	5.39	6.20	7.01	7.87			
		Sones	24	25	25	27	27	27	28	28			
10200	3000	RPM	1239	1266	1294	1348	1404	1458	1510				
		BHP	3.89	4.29	4.71	5.55	6.41	7.28	8.16				
		Sones	28	29	29	30	30	30	31				
11100	3265	RPM	1339	1364	1390	1440	1490						
		BHP	4.85	5.28	5.73	6.65	7.57						
		Sones	31	32	32	32	33						
12000	3529	RPM	1440	1463	1486	1534							
		BHP	5.98	6.43	6.90	7.89							
		Sones	34	35	35	36							

Performance certified is for installation Type B - Free inlet, Ducted outlet. Power rating (Bhp) does not include transmission losses. Performance ratings do not include the effects of appurtenances (accessories). The AMCA Certified Ratings Seal applies to air performance only.

SWB-327 - Belt Drive

Series 300



Wheel Diameter = 27 (686)
 Shaft Diameter = 1 11/16 (43)
 Outlet Area = 4.19 ft² (0.389 m²)
 ^Approximate Unit Weight = 917 lb. (417 kg)

All dimensions in inches (millimeters)
 For additional discharge positions see page 13
 ^Weight shown includes largest cataloged Open Drip Proof motor and weatherhood

Maximum BHP at a given RPM = (RPM/629)³
 (Maximum KW at a given RPM = (RPM/693)³)
 Maximum RPM = 1425
 Tip Speed (ft/min.) = RPM x 7.07
 (Tip Speed (m/s) = RPM x 0.0359)
 Maximum Motor Frame Size = 256T

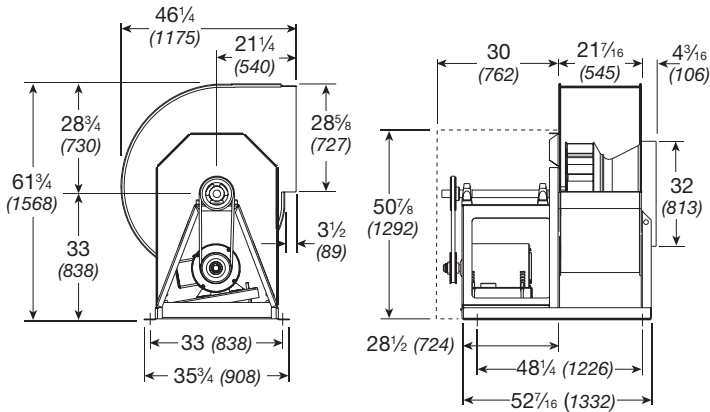
SWB-327

CFM	OV	Static Pressure in Inches wg											
		0.5	1	1.5	2	2.5	3	3.5	4	4.5	5		
5000	1193	RPM	551	663	756	841							
		BHP	0.66	1.10	1.57	2.08							
		Sones / LwiA	10.3 / 72	11.8 / 75	13.2 / 77	14.9 / 79							
5900	1408	RPM	604	712	800	878	953	1022					
		BHP	0.89	1.40	1.92	2.48	3.07	3.69					
		Sones / LwiA	11.5 / 74	12.9 / 76	14.1 / 78	15.6 / 79	17.6 / 81	19.6 / 83					
6800	1622	RPM	666	764	849	923	991	1058	1120	1179	1234		
		BHP	1.17	1.75	2.34	2.95	3.59	4.26	4.96	5.67	6.40		
		Sones / LwiA	12.9 / 76	14 / 77	15.2 / 79	16.6 / 80	18.2 / 82	19.9 / 83	22 / 85	24 / 86	26 / 88		
7700	1837	RPM	731	815	900	971	1037	1098	1157	1215	1270	1322	
		BHP	1.53	2.17	2.83	3.50	4.19	4.91	5.65	6.43	7.22	8.02	
		Sones / LwiA	14.5 / 78	15.2 / 79	16.6 / 80	18.1 / 81	19.4 / 83	21 / 84	22 / 85	24 / 86	26 / 88	28 / 89	
8600	2052	RPM	801	872	951	1022	1085	1145	1201	1253	1307	1358	
		BHP	1.97	2.65	3.40	4.14	4.88	5.66	6.45	7.26	8.11	8.97	
		Sones / LwiA	16.3 / 80	17 / 80	18.3 / 81	19.7 / 83	21 / 84	22 / 85	24 / 86	25 / 87	27 / 88	29 / 89	
9500	2267	RPM	871	934	1003	1074	1136	1194	1248	1299	1348	1395	
		BHP	2.51	3.23	4.03	4.86	5.67	6.50	7.35	8.21	9.10	10.0	
		Sones / LwiA	18.5 / 82	19.2 / 82	20 / 83	21 / 84	23 / 85	25 / 87	26 / 88	28 / 89	29 / 89	30 / 90	
10400	2482	RPM	942	997	1059	1125	1188	1244	1297	1347	1395		
		BHP	3.14	3.90	4.76	5.66	6.56	7.45	8.35	9.27	10.2		
		Sones / LwiA	21 / 84	22 / 84	22 / 85	24 / 86	26 / 87	27 / 88	29 / 89	31 / 90	32 / 91		
11300	2696	RPM	1014	1066	1121	1177	1239	1296	1348	1397			
		BHP	3.89	4.70	5.59	6.55	7.53	8.51	9.47	10.5			
		Sones / LwiA	24 / 86	24 / 86	25 / 87	27 / 88	28 / 89	31 / 90	32 / 91	33 / 91			
12200	2911	RPM	1086	1135	1184	1236	1291	1347	1400				
		BHP	4.74	5.62	6.54	7.55	8.60	9.66	10.7				
		Sones / LwiA	27 / 88	28 / 88	29 / 89	30 / 90	32 / 91	34 / 92	35 / 92				
13100	3126	RPM	1160	1205	1249	1298	1345	1399					
		BHP	5.72	6.67	7.62	8.68	9.78	10.9					
		Sones / LwiA	30 / 90	32 / 91	33 / 91	35 / 92	36 / 93	37 / 93					
14000	3341	RPM	1233	1276	1317	1361	1407						
		BHP	6.83	7.85	8.87	9.94	11.1						
		Sones / LwiA	35 / 92	37 / 93	38 / 94	39 / 94	40 / 94						

Performance certified is for installation type B: Free inlet, Ducted outlet. Power rating (Bhp) does not include transmission losses. Performance ratings do not include the effects of appurtenances (accessories). The sound power level ratings shown are in decibels, referred to 10-12 watts, calculated per AMCA Standard 301. Values shown are for inlet LwiA sound power levels and inlet hemispherical sone levels for installation type B: Free inlet, Ducted outlet, calculated per AMCA Standard 301. The AMCA Certified Ratings Seal applies to air performance only.

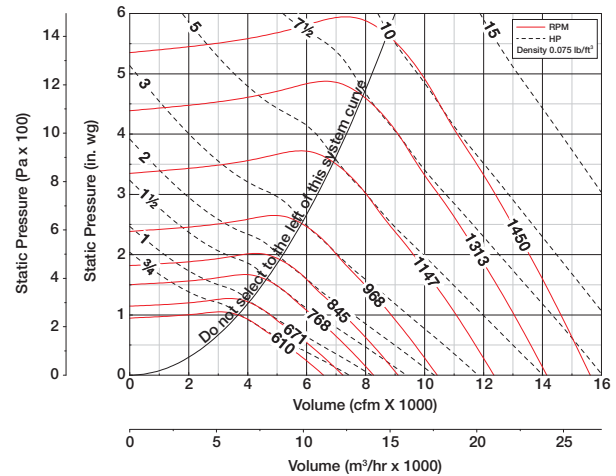
SWB-327-AF - Belt Drive

Series 300



Wheel Diameter = 27 (686)
 Shaft Diameter = $1\frac{11}{16}$ (43)
 Outlet Area = 4.19 ft² (0.389 m²)
 ^Approximate Unit Weight = 877 lb. (399 kg)

All dimensions in inches (millimeters)
 For additional discharge positions see page 13
 ^Weight shown includes largest cataloged Open Drip Proof motor and weatherhood



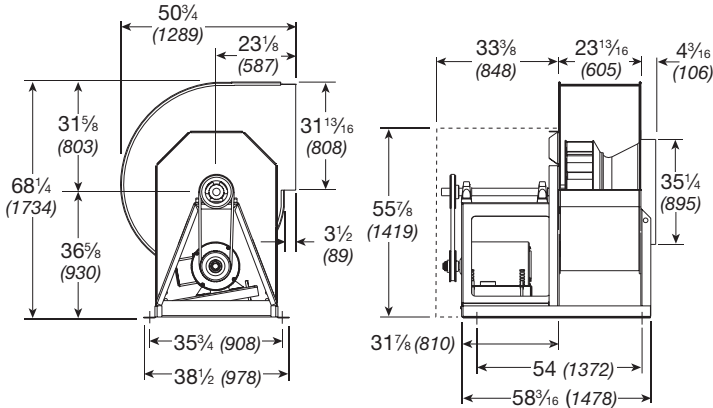
Maximum BHP at a given RPM = (RPM/671)³
 (Maximum KW at a given RPM = (RPM/740)³)
 Maximum RPM = 1450
 Tip Speed (ft/min.) = RPM x 7.07
 (Tip Speed (m/s) = RPM x 0.0359)
 Maximum Motor Frame Size = 256T

SWB-327-AF

CFM	OV		Static Pressure in Inches wg												
			0.5	1	1.5	2	2.5	3	3.5	4	4.5	5			
6000	1431	RPM	664	755	833	906	975								
		BHP	0.86	1.38	1.90	2.44	3.01								
		Sones / LwiA	10 / 72	11.3 / 74	12.6 / 75	14 / 77	15.6 / 79								
6700	1599	RPM	719	804	881	946	1013	1075							
		BHP	1.07	1.63	2.21	2.80	3.41	4.04							
		Sones / LwiA	11.1 / 74	12.4 / 75	13.8 / 77	15.3 / 79	16.6 / 80	17.4 / 81							
7400	1766	RPM	776	856	928	994	1052	1112	1169	1223					
		BHP	1.31	1.92	2.55	3.21	3.85	4.52	5.22	5.93					
		Sones / LwiA	12.6 / 76	13.7 / 77	15.3 / 79	16.8 / 80	17.4 / 81	18.2 / 82	19 / 82	19.9 / 83					
8100	1933	RPM	834	908	977	1041	1100	1152	1208	1260	1310				
		BHP	1.59	2.24	2.93	3.64	4.35	5.05	5.79	6.54	7.32				
		Sones / LwiA	14.2 / 77	15.4 / 79	16.8 / 80	17.7 / 81	18.4 / 82	19.1 / 82	19.8 / 83	21 / 84	22 / 85				
8800	2100	RPM	893	963	1028	1089	1147	1200	1247	1299	1348	1395			
		BHP	1.91	2.61	3.35	4.11	4.88	5.65	6.41	7.21	8.03	8.86			
		Sones / LwiA	16.1 / 79	17.3 / 81	18.1 / 82	18.7 / 82	19.4 / 83	20 / 83	21 / 84	22 / 85	22 / 85	23 / 86	23 / 86		
9500	2267	RPM	953	1019	1081	1139	1194	1247	1295	1340	1387	1433			
		BHP	2.28	3.03	3.82	4.62	5.45	6.29	7.12	7.94	8.79	9.66			
		Sones / LwiA	18.3 / 81	19.2 / 82	19.3 / 83	19.7 / 83	20 / 84	21 / 84	22 / 85	23 / 85	23 / 86	23 / 86	24 / 87		
10200	2434	RPM	1013	1075	1134	1190	1243	1294	1343	1388	1429				
		BHP	2.70	3.51	4.33	5.19	6.07	6.95	7.86	8.75	9.63				
		Sones / LwiA	21 / 83	20 / 83	21 / 84	21 / 84	21 / 84	22 / 85	23 / 86	24 / 86	25 / 87				
10900	2601	RPM	1074	1133	1189	1242	1293	1342	1390	1435					
		BHP	3.17	4.03	4.91	5.81	6.73	7.68	8.62	9.59					
		Sones / LwiA	22 / 84	22 / 84	22 / 85	22 / 85	23 / 85	23 / 86	24 / 86	25 / 87					
11600	2768	RPM	1136	1192	1245	1296	1345	1392	1438						
		BHP	3.70	4.61	5.54	6.49	7.46	8.46	9.46						
		Sones / LwiA	23 / 85	23 / 85	23 / 86	23 / 86	24 / 86	25 / 87	25 / 87						
12300	2935	RPM	1198	1251	1301	1351	1398	1443							
		BHP	4.30	5.26	6.24	7.23	8.25	9.29							
		Sones / LwiA	24 / 86	24 / 87	25 / 87	25 / 87	25 / 87	26 / 87							
13000	3102	RPM	1260	1311	1358	1406									
		BHP	4.96	5.96	7.00	8.04									
		Sones / LwiA	26 / 87	26 / 88	26 / 88	26 / 88									

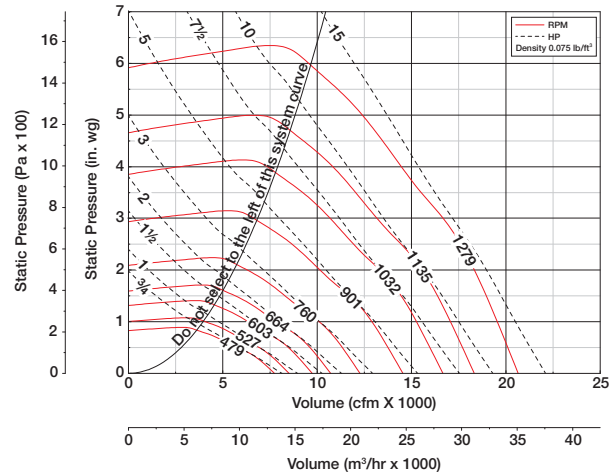
Performance certified is for installation type B: Free inlet, Ducted outlet. Power rating (Bhp) does not include transmission losses. Performance ratings do not include the effects of appurtenances (accessories). The sound power level ratings shown are in decibels, referred to 10-12 watts, calculated per AMCA Standard 301. Values shown are for inlet LwiA sound power levels and inlet hemispherical sone levels for installation type B: Free inlet, Ducted outlet, calculated per AMCA Standard 301. The AMCA Certified Ratings Seal applies to air performance and LwiA values only.

SWB-330 - Belt Drive Series 300



Wheel Diameter = 30 (762)
 Shaft Diameter = 1 15/16 (49)
 Outlet Area = 5.17 ft² (0.480 m²)
 ^Approximate Unit Weight = 1088 lb. (495 kg)

All dimensions in inches (millimeters)
 For additional discharge positions see page 13
 ^Weight shown includes largest cataloged Open Drip Proof motor and weatherhood



Maximum BHP at a given RPM = (RPM/527)³
 (Maximum KW at a given RPM = (RPM/581)³)
 Maximum RPM = 1279
 Tip Speed (ft/min.) = RPM x 7.85
 (Tip Speed (m/s) = RPM x 0.0399)
 Maximum Motor Frame Size = 256T

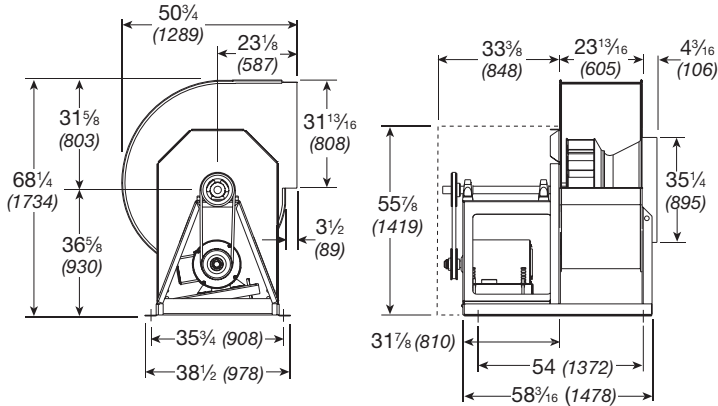
SWB-330

CFM	OV		Static Pressure in Inches wg												
			0.5	1	1.5	2	2.5	3	3.5	4	4.5	5			
7000	1353	RPM	531	630	709	782	849	911							
		BHP	1.02	1.62	2.25	2.93	3.65	4.39							
		Sones / LwiA	12.7 / 76	13.8 / 77	15.3 / 79	16.7 / 80	18.5 / 82	20 / 84							
8000	1547	RPM	580	671	748	816	879	940	997	1050					
		BHP	1.31	2.00	2.69	3.42	4.19	5.00	5.83	6.69					
		Sones / LwiA	13.9 / 77	15 / 79	16.3 / 80	17.6 / 81	19.1 / 82	21 / 84	23 / 86	25 / 87					
9000	1740	RPM	631	713	789	854	914	970	1026	1079	1128	1175			
		BHP	1.67	2.43	3.21	4.00	4.82	5.68	6.58	7.50	8.44	9.40			
		Sones / LwiA	15.1 / 79	16 / 80	17.5 / 81	18.7 / 82	19.9 / 83	21 / 84	23 / 86	25 / 87	27 / 88	29 / 90			
10000	1934	RPM	686	755	831	894	953	1007	1057	1109	1158	1204			
		BHP	2.12	2.93	3.80	4.66	5.54	6.46	7.39	8.38	9.39	10.4			
		Sones / LwiA	16.7 / 80	17.4 / 81	18.7 / 82	19.9 / 83	21 / 84	23 / 85	24 / 86	26 / 87	27 / 89	29 / 90			
11000	2127	RPM	742	804	872	936	993	1045	1095	1142	1188	1234			
		BHP	2.65	3.51	4.45	5.40	6.35	7.32	8.33	9.35	10.4	11.5			
		Sones / LwiA	18.4 / 82	19 / 82	19.9 / 83	21 / 84	23 / 85	24 / 86	25 / 87	27 / 88	28 / 89	30 / 90			
12000	2321	RPM	799	855	914	978	1034	1085	1134	1180	1224	1266			
		BHP	3.28	4.18	5.19	6.23	7.26	8.30	9.36	10.5	11.6	12.7			
		Sones / LwiA	20 / 83	21 / 84	21 / 84	23 / 85	24 / 86	26 / 87	27 / 88	29 / 89	30 / 90	32 / 91			
13000	2514	RPM	857	906	961	1019	1076	1127	1174	1219	1262				
		BHP	4.00	4.95	6.02	7.13	8.27	9.38	10.5	11.6	12.8				
		Sones / LwiA	22 / 85	23 / 85	24 / 86	25 / 86	26 / 88	28 / 88	29 / 89	31 / 90	33 / 91				
14000	2707	RPM	915	962	1011	1061	1117	1169	1215	1259					
		BHP	4.84	5.85	6.96	8.13	9.35	10.6	11.8	13.0					
		Sones / LwiA	25 / 86	25 / 87	26 / 87	27 / 88	28 / 89	30 / 90	32 / 91	34 / 92					
15000	2901	RPM	974	1018	1062	1109	1159	1210	1257						
		BHP	5.79	6.87	8.01	9.25	10.5	11.8	13.1						
		Sones / LwiA	27 / 88	28 / 88	28 / 89	30 / 89	31 / 90	33 / 91	35 / 92						
16000	3094	RPM	1033	1075	1114	1159	1202	1252							
		BHP	6.86	8.02	9.19	10.5	11.8	13.2							
		Sones / LwiA	30 / 90	31 / 90	32 / 91	33 / 91	34 / 92	36 / 93							
17000	3288	RPM	1093	1132	1170	1210	1252								
		BHP	8.07	9.31	10.5	11.9	13.3								
		Sones / LwiA	33 / 91	34 / 92	35 / 92	37 / 93	39 / 94								

Performance certified is for installation type B: Free inlet, Ducted outlet. Power rating (Bhp) does not include transmission losses. Performance ratings do not include the effects of appurtenances (accessories). The sound power level ratings shown are in decibels, referred to 10-12 watts, calculated per AMCA Standard 301. Values shown are for inlet LwiA sound power levels and inlet hemispherical sone levels for installation type B: Free inlet, Ducted outlet, calculated per AMCA Standard 301. The AMCA Certified Ratings Seal applies to air performance only.

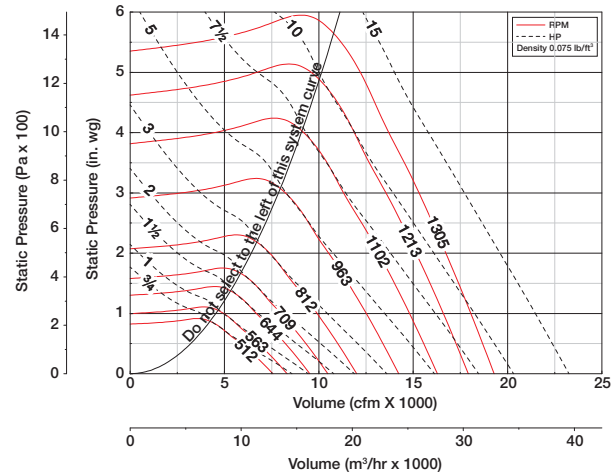
SWB-330-AF - Belt Drive

Series 300



Wheel Diameter = 30 (762)
 Shaft Diameter = 1⁵/₁₆ (49)
 Outlet Area = 5.17 ft² (0.480 m²)
 ^Approximate Unit Weight = 998 lb. (454 kg)

All dimensions in inches (millimeters)
 For additional discharge positions see page 13
 ^Weight shown includes largest cataloged Open Drip Proof motor and weatherhood



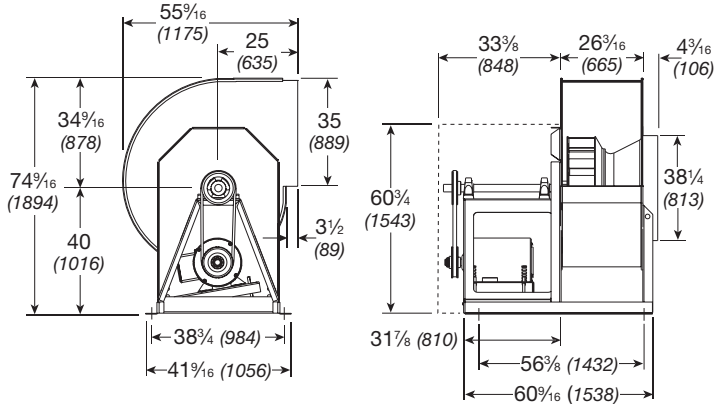
Maximum BHP at a given RPM = (RPM/563)³
 (Maximum KW at a given RPM = (RPM/621)³)
 Maximum RPM = 1305
 Tip Speed (ft/min.) = RPM x 7.85
 (Tip Speed (m/s) = RPM x 0.0399)
 Maximum Motor Frame Size = 256T

SWB-330-AF

CFM	OV		Static Pressure in Inches wg										
			0.5	1	1.5	2	2.5	3	3.5	4	4.5	5	
8000	1547	RPM	631	709	779	839	901	957					
		BHP	1.23	1.91	2.61	3.31	4.05	4.81					
		Sones / LwiA	11.7 / 75	12.9 / 76	14.2 / 77	15.5 / 79	16.9 / 80	18.4 / 82					
8800	1702	RPM	678	752	818	878	933	988	1039				
		BHP	1.49	2.22	2.98	3.76	4.53	5.34	6.18				
		Sones / LwiA	13 / 76	14 / 77	15.4 / 79	16.7 / 80	18 / 81	19.6 / 83	21 / 83				
9600	1856	RPM	726	795	858	918	970	1020	1071	1119			
		BHP	1.79	2.58	3.40	4.24	5.08	5.93	6.81	7.72			
		Sones / LwiA	14.1 / 78	15.3 / 79	16.6 / 80	18 / 81	19.5 / 83	21 / 84	21 / 84	22 / 85			
10400	2011	RPM	775	840	900	957	1010	1056	1103	1150	1195	1238	
		BHP	2.14	2.97	3.85	4.75	5.68	6.57	7.49	8.45	9.43	10.4	
		Sones / LwiA	15.6 / 79	16.8 / 80	18 / 81	19.5 / 83	21 / 84	21 / 84	22 / 85	23 / 85	24 / 86	25 / 87	
11200	2166	RPM	825	886	944	997	1049	1097	1139	1182	1227	1269	
		BHP	2.53	3.42	4.35	5.32	6.29	7.29	8.25	9.24	10.3	11.3	
		Sones / LwiA	17.3 / 81	18.5 / 82	19.6 / 83	21 / 84	22 / 85	22 / 85	23 / 86	24 / 86	25 / 87	25 / 87	
12000	2321	RPM	875	933	987	1039	1088	1136	1180	1219	1259	1301	
		BHP	2.97	3.92	4.91	5.92	6.96	8.01	9.08	10.1	11.2	12.3	
		Sones / LwiA	19.2 / 82	20 / 83	22 / 84	22 / 85	23 / 85	23 / 86	24 / 86	25 / 87	25 / 87	26 / 88	
12800	2475	RPM	925	980	1033	1082	1129	1175	1219	1260	1297		
		BHP	3.46	4.48	5.51	6.58	7.68	8.79	9.92	11.1	12.2		
		Sones / LwiA	21 / 84	23 / 85	23 / 86	23 / 86	24 / 86	24 / 86	25 / 87	26 / 87	27 / 88		
13600	2630	RPM	976	1028	1079	1126	1172	1215	1258	1299			
		BHP	4.02	5.09	6.18	7.31	8.46	9.64	10.8	12.0			
		Sones / LwiA	24 / 86	24 / 86	24 / 86	24 / 86	25 / 87	25 / 87	26 / 88	27 / 88			
14400	2785	RPM	1027	1077	1125	1171	1215	1257	1298				
		BHP	4.64	5.76	6.92	8.09	9.30	10.5	11.8				
		Sones / LwiA	26 / 87	26 / 87	26 / 87	26 / 87	26 / 87	27 / 88	27 / 88				
15200	2940	RPM	1079	1127	1172	1217	1259	1300					
		BHP	5.32	6.50	7.72	8.95	10.2	11.5					
		Sones / LwiA	27 / 88	27 / 88	27 / 88	27 / 88	27 / 88	28 / 89					
16000	3094	RPM	1131	1176	1220	1263	1303						
		BHP	6.07	7.31	8.59	9.87	11.2						
		Sones / LwiA	28 / 89	28 / 89	28 / 89	29 / 89	29 / 89						

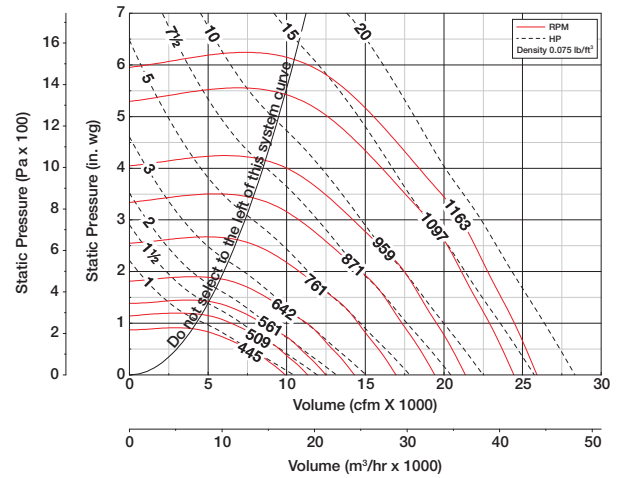
Performance certified is for installation type B: Free inlet, Ducted outlet. Power rating (Bhp) does not include transmission losses. Performance ratings do not include the effects of appurtenances (accessories). The sound power level ratings shown are in decibels, referred to 10-12 watts, calculated per AMCA Standard 301. Values shown are for inlet LwiA sound power levels and inlet hemispherical sone levels for installation type B: Free inlet, Ducted outlet, calculated per AMCA Standard 301. The AMCA Certified Ratings Seal applies to air performance and LwiA values only.

SWB-333 - Belt Drive Series 300



Wheel Diameter = 33 (838)
 Shaft Diameter = 1 15/16 (49)
 Outlet Area = 6.26 ft² (0.582 m²)
 ^Approximate Unit Weight = 1231 lb. (560 kg)

All dimensions in inches (millimeters)
 For additional discharge positions see page 13
 ^Weight shown includes largest cataloged Open Drip Proof motor and weatherhood



Maximum BHP at a given RPM = (RPM/445)³
 (Maximum KW at a given RPM = (RPM/491)³)
 Maximum RPM = 1163
 Tip Speed (ft/min.) = RPM x 8.64
 (Tip Speed (m/s) = RPM x 0.0439)
 Maximum Motor Frame Size = 256T

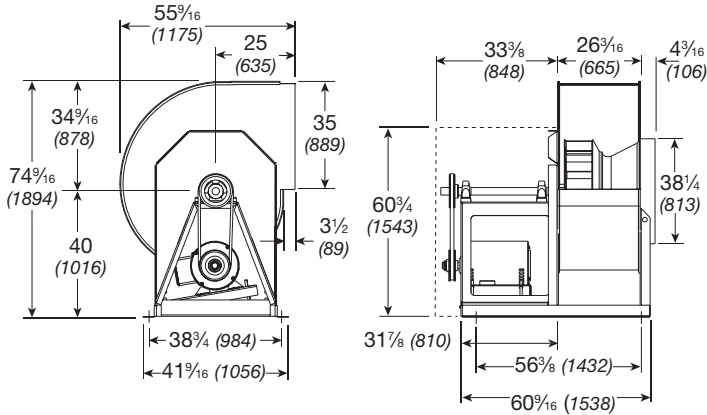
SWB-333

CFM	OV		Static Pressure in Inches wg										
			0.5	1	1.5	2	2.5	3	3.5	4	4.5	5	
7500	1198	RPM	440	535	615	686	756	821					
		BHP	0.96	1.61	2.31	3.09	3.94	4.86					
		Sones / LwiA	10 / 71	11.3 / 74	13 / 76	14.9 / 78	17.8 / 81	21 / 83					
9000	1437	RPM	489	576	650	717	779	836	895	951	1004		
		BHP	1.32	2.09	2.87	3.71	4.62	5.57	6.60	7.68	8.80		
		Sones	11.7 / 74	13.1 / 76	14.7 / 78	16.1 / 79	17.6 / 81	19.7 / 83	23 / 85	26 / 87	31 / 89		
10500	1677	RPM	547	619	690	753	811	867	919	968	1018	1068	
		BHP	1.81	2.68	3.57	4.49	5.43	6.47	7.55	8.65	9.83	11.1	
		Sones / LwiA	14.1 / 77	15.3 / 78	16.8 / 80	18 / 81	19.2 / 82	21 / 83	22 / 85	25 / 86	28 / 88	31 / 90	
12000	1916	RPM	606	666	733	794	849	901	950	999	1044	1088	
		BHP	2.42	3.36	4.41	5.41	6.46	7.53	8.66	9.86	11.1	12.3	
		Sones	16.8 / 80	17.8 / 81	19 / 82	20 / 83	21 / 84	23 / 85	24 / 86	26 / 87	27 / 88	29 / 89	
13500	2156	RPM	666	721	778	836	890	940	987	1031	1075	1118	
		BHP	3.17	4.21	5.34	6.50	7.64	8.81	10.0	11.2	12.5	13.9	
		Sones / LwiA	19.8 / 83	20 / 83	21 / 84	23 / 85	24 / 86	25 / 87	27 / 87	28 / 88	29 / 89	30 / 90	
15000	2396	RPM	727	779	826	880	932	980	1026	1070	1111	1150	
		BHP	4.08	5.23	6.40	7.72	9.00	10.3	11.6	12.9	14.2	15.6	
		Sones / LwiA	23 / 85	23 / 85	24 / 86	25 / 87	27 / 88	28 / 88	30 / 89	31 / 90	32 / 90	33 / 91	
16500	2635	RPM	789	838	882	927	976	1023	1067	1109	1150		
		BHP	5.16	6.44	7.70	9.05	10.5	11.9	13.3	14.7	16.1		
		Sones / LwiA	26 / 87	26 / 87	27 / 88	29 / 89	30 / 89	31 / 90	32 / 91	33 / 91	35 / 92		
18000	2875	RPM	852	898	940	978	1023	1067	1110	1151			
		BHP	6.44	7.83	9.21	10.6	12.1	13.7	15.3	16.8			
		Sones / LwiA	29 / 89	30 / 90	31 / 90	32 / 91	34 / 91	35 / 92	36 / 92	37 / 93			
19500	3115	RPM	916	958	998	1035	1070	1114	1154				
		BHP	7.94	9.42	10.9	12.4	14.0	15.7	17.4				
		Sones / LwiA	33 / 91	34 / 92	36 / 92	36 / 93	37 / 93	38 / 93	39 / 94				
21000	3354	RPM	981	1019	1058	1093	1127	1161					
		BHP	9.67	11.3	12.9	14.5	16.1	17.8					
		Sones / LwiA	38 / 93	39 / 94	39 / 94	40 / 94	41 / 95	42 / 95					
22500	3594	RPM	1046	1081	1117	1152							
		BHP	11.6	13.3	15.1	16.8							
		Sones / LwiA	42 / 95	43 / 95	43 / 96	45 / 96							

Performance certified is for installation type B: Free inlet, Ducted outlet. Power rating (Bhp) does not include transmission losses. Performance ratings do not include the effects of appurtenances (accessories). The sound power level ratings shown are in decibels, referred to 10-12 watts, calculated per AMCA Standard 301. Values shown are for inlet LwiA sound power levels and inlet hemispherical sone levels for installation type B: Free inlet, Ducted outlet, calculated per AMCA Standard 301. The AMCA Certified Ratings Seal applies to air performance only.

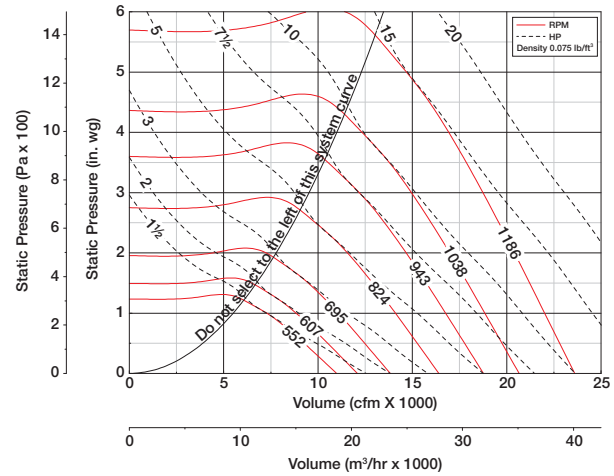
SWB-333-AF - Belt Drive

Series 300



Wheel Diameter = 33 (838)
 Shaft Diameter = 1 15/16 (49)
 Outlet Area = 6.26 ft² (0.582 m²)
 ^Approximate Unit Weight = 1166 lb. (530 kg)

All dimensions in inches (millimeters)
 For additional discharge positions see page 13
 ^Weight shown includes largest cataloged Open Drip Proof motor and weatherhood



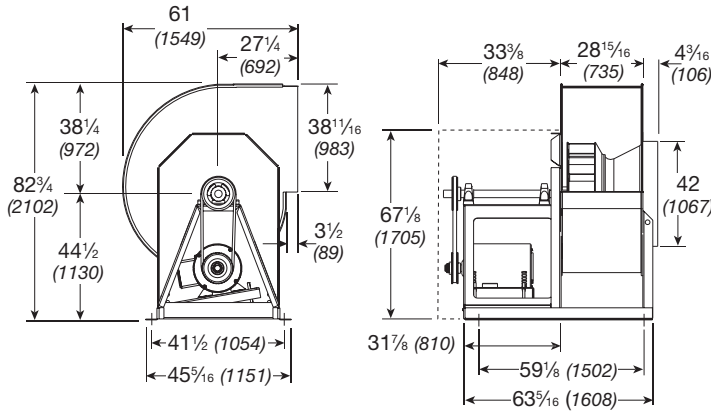
Maximum BHP at a given RPM = $(RPM/482)^3$
 (Maximum KW at a given RPM = $(RPM/531)^3$)
 Maximum RPM = 1186
 Tip Speed (ft/min.) = RPM x 8.64
 (Tip Speed (m/s) = RPM x 0.0439)
 Maximum Motor Frame Size = 256T

SWB-333-AF

CFM	OV	Static Pressure in Inches wg											
		0.5	1	1.5	2	2.5	3	3.5	4	4.5	5		
9000	1437	RPM	541	613	679	742	801						
		BHP	1.25	2.01	2.79	3.61	4.42						
		Sones / LwiA	12.3 / 75	14.1 / 77	16.3 / 79	19.4 / 81	21 / 82						
10000	1597	RPM	584	652	714	772	828	881					
		BHP	1.52	2.36	3.21	4.09	5.01	5.91					
		Sones / LwiA	14.3 / 77	16.1 / 79	17.7 / 80	20 / 82	24 / 83	25 / 85					
11000	1757	RPM	628	692	751	805	858	909	956	1003			
		BHP	1.84	2.75	3.67	4.62	5.61	6.62	7.63	8.55			
		Sones / LwiA	16.5 / 79	17.8 / 81	19.2 / 82	21 / 83	25 / 84	31 / 86	31 / 87	31 / 89			
12000	1916	RPM	674	734	789	841	890	938	985	1029	1072		
		BHP	2.21	3.20	4.19	5.21	6.25	7.33	8.44	9.58	10.6		
		Sones / LwiA	18.9 / 82	19.4 / 82	21 / 83	22 / 84	25 / 85	31 / 87	39 / 89	38 / 90	36 / 90		
13000	2076	RPM	719	776	829	878	925	969	1015	1058	1099	1139	
		BHP	2.65	3.69	4.77	5.86	6.96	8.10	9.27	10.5	11.7	12.8	
		Sones / LwiA	21 / 83	21 / 83	22 / 84	24 / 85	26 / 87	31 / 88	37 / 89	43 / 91	43 / 91	42 / 92	
14000	2236	RPM	766	820	870	916	962	1005	1046	1088	1128	1167	
		BHP	3.14	4.23	5.41	6.56	7.74	8.94	10.2	11.4	12.7	14.0	
		Sones / LwiA	22 / 84	23 / 85	24 / 86	26 / 87	28 / 88	31 / 89	35 / 90	41 / 91	46 / 92	50 / 93	
15000	2396	RPM	812	864	911	957	999	1041	1081	1119	1158		
		BHP	3.70	4.84	6.09	7.33	8.59	9.85	11.1	12.5	13.8		
		Sones / LwiA	24 / 86	25 / 86	26 / 87	27 / 88	30 / 89	32 / 90	34 / 91	39 / 92	44 / 93		
16000	2555	RPM	859	909	954	997	1039	1078	1117	1154			
		BHP	4.33	5.52	6.83	8.17	9.49	10.8	12.2	13.6			
		Sones / LwiA	26 / 87	27 / 88	28 / 88	29 / 89	31 / 90	33 / 91	36 / 91	39 / 92			
17000	2715	RPM	907	954	998	1039	1079	1117	1154				
		BHP	5.03	6.28	7.65	9.08	10.5	11.9	13.3				
		Sones / LwiA	28 / 88	29 / 89	30 / 90	31 / 90	33 / 91	35 / 91	37 / 92				
18000	2875	RPM	954	1000	1042	1082	1120	1157					
		BHP	5.82	7.13	8.54	10.0	11.6	13.0					
		Sones / LwiA	30 / 90	31 / 90	32 / 91	33 / 91	34 / 92	36 / 92					
19000	3035	RPM	1002	1046	1086	1125	1161						
		BHP	6.67	8.07	9.51	11.1	12.7						
		Sones / LwiA	32 / 91	33 / 91	34 / 92	36 / 92	37 / 93						

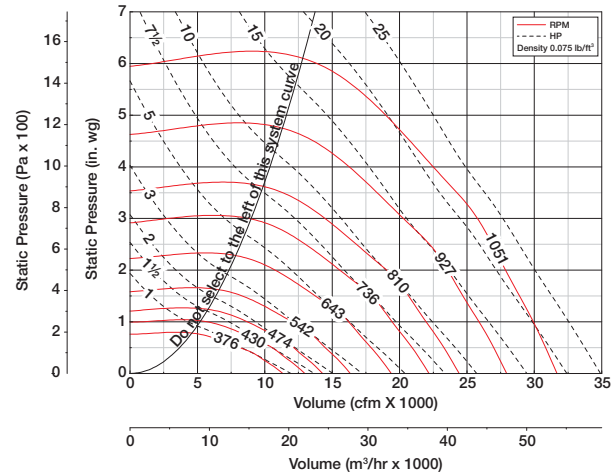
Performance certified is for installation type B: Free inlet, Ducted outlet. Power rating (Bhp) does not include transmission losses. Performance ratings do not include the effects of appurtenances (accessories). The sound power level ratings shown are in decibels, referred to 10-12 watts, calculated per AMCA Standard 301. Values shown are for inlet LwiA sound power levels and inlet hemispherical sone levels for installation type B: Free inlet, Ducted outlet, calculated per AMCA Standard 301. The AMCA Certified Ratings Seal applies to air performance and LwiA values only.

SWB-336 - Belt Drive Series 300



Wheel Diameter = 36 1/2 (927)
 Shaft Diameter = 2 1/16 (56)
 Outlet Area = 7.66 ft² (0.712 m²)
 ^Approximate Unit Weight = 1530 lb. (695 kg)

All dimensions in inches (millimeters)
 For additional discharge positions see page 13
 ^Weight shown includes largest cataloged Open Drip Proof motor and weatherhood



Maximum BHP at a given RPM = (RPM/376)³
 (Maximum KW at a given RPM = (RPM/415)³)
 Maximum RPM = 1051
 Tip Speed (ft/min.) = RPM x 9.56
 (Tip Speed (m/s) = RPM x 0.0486)
 Maximum Motor Frame Size = 286T

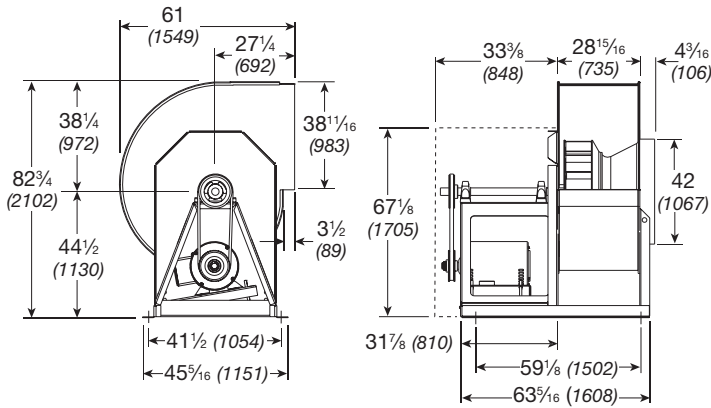
SWB-336

CFM	OV	Static Pressure in Inches wg											
		0.5	1	1.5	2	2.5	3	3.5	4	4.5	5		
7500	979	RPM	362	454	532	606							
		BHP	0.86	1.54	2.33	3.24							
		Sones / LwiA	10.7 / 71	10.8 / 73	12.9 / 76	16.1 / 79							
9500	1240	RPM	405	490	561	625	685	745					
		BHP	1.25	2.06	2.94	3.90	4.95	6.09					
		Sones / LwiA	11.9 / 73	12.6 / 75	14.1 / 77	15.9 / 79	18.7 / 82	22 / 84					
11500	1501	RPM	456	531	597	656	712	764	813	863	911		
		BHP	1.77	2.74	3.73	4.76	5.91	7.09	8.34	9.70	11.1		
		Sones / LwiA	13.7 / 76	14.6 / 78	16.1 / 79	17.8 / 81	19.3 / 82	21 / 83	23 / 85	26 / 87	30 / 89		
13500	1762	RPM	513	575	638	694	745	794	841	885	926	970	
		BHP	2.46	3.56	4.72	5.87	7.07	8.35	9.70	11.1	12.5	14.1	
		Sones / LwiA	16.2 / 79	17.1 / 80	18.7 / 81	20 / 83	21 / 84	22 / 85	24 / 86	25 / 87	28 / 88	31 / 90	
15500	2023	RPM	572	623	680	734	784	830	873	915	957	996	
		BHP	3.35	4.54	5.89	7.20	8.52	9.88	11.3	12.8	14.3	15.9	
		Sones / LwiA	19.1 / 82	19.9 / 82	21 / 84	22 / 85	24 / 85	25 / 86	26 / 87	27 / 88	29 / 89	31 / 90	
17500	2284	RPM	631	680	727	777	825	869	911	951	988	1026	
		BHP	4.45	5.80	7.21	8.75	10.2	11.7	13.2	14.8	16.4	18.0	
		Sones / LwiA	22 / 85	23 / 85	24 / 86	25 / 86	27 / 87	28 / 88	29 / 89	31 / 90	32 / 90	33 / 91	
19500	2545	RPM	692	738	778	823	867	910	951	989	1026		
		BHP	5.79	7.30	8.80	10.4	12.2	13.8	15.4	17.1	18.8		
		Sones / LwiA	26 / 87	27 / 87	27 / 88	28 / 88	30 / 89	31 / 90	33 / 91	34 / 91	35 / 92		
21500	2806	RPM	754	796	835	870	913	953	992	1030			
		BHP	7.41	9.07	10.7	12.4	14.3	16.2	18.0	19.8			
		Sones / LwiA	29 / 89	30 / 90	31 / 90	32 / 90	33 / 91	35 / 92	37 / 92	38 / 93			
23500	3067	RPM	817	855	892	926	959	999	1035				
		BHP	9.33	11.1	13.0	14.8	16.6	18.7	20.8				
		Sones / LwiA	33 / 91	34 / 92	35 / 92	37 / 92	38 / 93	40 / 94	41 / 94				
25500	3328	RPM	881	916	951	983	1014	1045					
		BHP	11.6	13.5	15.5	17.4	19.4	21.5					
		Sones / LwiA	38 / 93	39 / 94	40 / 94	42 / 95	43 / 95	44 / 95					
27500	3590	RPM	944	976	1010	1041							
		BHP	14.2	16.3	18.4	20.5							
		Sones / LwiA	43 / 96	45 / 96	46 / 96	47 / 96							

Performance certified is for installation type B: Free inlet, Ducted outlet. Power rating (Bhp) does not include transmission losses. Performance ratings do not include the effects of appurtenances (accessories). The sound power level ratings shown are in decibels, referred to 10-12 watts, calculated per AMCA Standard 301. Values shown are for inlet LwiA sound power levels and inlet hemispherical sone levels for installation type B: Free inlet, Ducted outlet, calculated per AMCA Standard 301. The AMCA Certified Ratings Seal applies to air performance only.

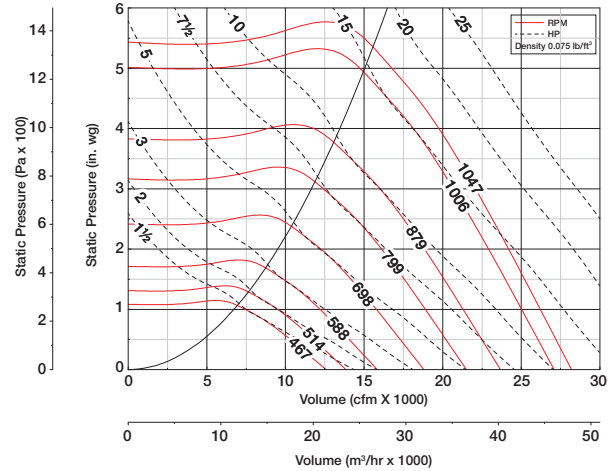
SWB-336-AF - Belt Drive

Series 300



Wheel Diameter = 36 1/2 (927)
 Shaft Diameter = 2 5/16 (56)
 Outlet Area = 7.66 ft² (0.712 m²)
 ^Approximate Unit Weight = 1445 lb. (657 kg)

All dimensions in inches (millimeters)
 For additional discharge positions see page 13
 ^Weight shown includes largest cataloged Open Drip Proof motor and weatherhood

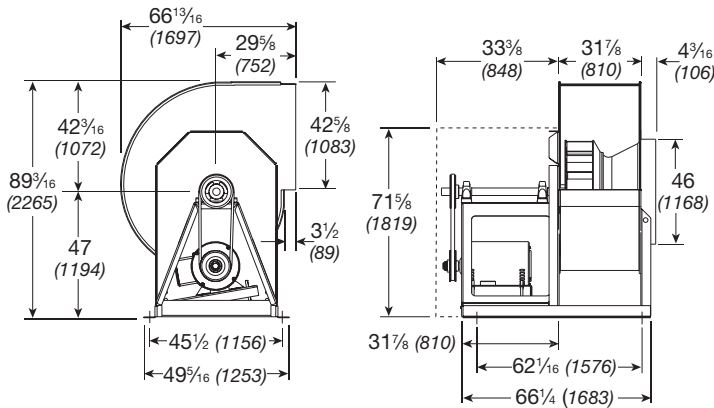


SWB-336-AF

CFM	OV	Static Pressure in Inches wg											
		0.5	1	1.5	2	2.5	3	3.5	4	4.5	5		
12000	1566	RPM	521	583	639	693	744	792					
		BHP	1.80	2.80	3.82	4.89	6.00	7.06					
		Sones / LwiA	14.6 / 78	16.1 / 79	18.2 / 81	21 / 82	24 / 84	26 / 85					
13000	1697	RPM	553	612	666	716	766	812	856				
		BHP	2.10	3.18	4.27	5.41	6.58	7.80	8.93				
		Sones / LwiA	16.2 / 79	17.7 / 81	19.9 / 82	22 / 83	25 / 85	28 / 86	30 / 87				
14000	1827	RPM	586	642	693	742	788	833	876	917			
		BHP	2.44	3.61	4.77	5.96	7.20	8.48	9.79	11.0			
		Sones / LwiA	18 / 81	19.6 / 82	21 / 83	23 / 84	26 / 85	30 / 87	34 / 88	34 / 89			
15000	1958	RPM	620	673	723	769	813	856	897	937	976		
		BHP	2.84	4.06	5.31	6.57	7.87	9.21	10.6	12.0	13.3		
		Sones / LwiA	20 / 83	22 / 84	22 / 84	24 / 85	26 / 86	31 / 88	37 / 89	40 / 90	40 / 91		
16000	2088	RPM	654	705	752	796	839	879	920	959	996	1032	
		BHP	3.28	4.56	5.89	7.23	8.59	9.99	11.4	12.9	14.4	15.8	
		Sones / LwiA	22 / 84	23 / 85	24 / 85	25 / 86	27 / 87	31 / 88	37 / 90	44 / 91	47 / 92	45 / 93	
17000	2219	RPM	688	737	782	825	866	905	942	981	1017		
		BHP	3.77	5.10	6.53	7.93	9.37	10.8	12.3	13.9	15.4		
		Sones / LwiA	24 / 85	24 / 86	25 / 86	27 / 87	29 / 88	31 / 89	36 / 90	43 / 92	50 / 93		
18000	2349	RPM	722	770	813	854	893	932	968	1003	1040		
		BHP	4.32	5.70	7.21	8.69	10.2	11.7	13.3	14.9	16.5		
		Sones / LwiA	25 / 86	26 / 87	27 / 87	28 / 88	30 / 89	32 / 90	37 / 91	42 / 92	48 / 93		
19000	2480	RPM	757	802	845	884	922	959	995	1029			
		BHP	4.92	6.35	7.92	9.50	11.1	12.7	14.3	16.0			
		Sones / LwiA	27 / 87	28 / 88	28 / 88	30 / 89	31 / 90	34 / 91	37 / 92	42 / 93			
20000	2610	RPM	792	836	876	915	952	986	1021				
		BHP	5.58	7.06	8.69	10.4	12.0	13.7	15.4				
		Sones / LwiA	28 / 88	29 / 89	30 / 89	31 / 90	33 / 91	35 / 92	38 / 92				
21000	2741	RPM	827	869	909	946	981	1016					
		BHP	6.31	7.85	9.53	11.3	13.0	14.8					
		Sones / LwiA	30 / 89	31 / 90	32 / 90	33 / 91	35 / 92	37 / 92					
22000	2872	RPM	862	903	941	977	1012	1045					
		BHP	7.10	8.71	10.4	12.3	14.1	15.9					
		Sones / LwiA	32 / 90	33 / 91	34 / 91	35 / 92	37 / 93	38 / 93					

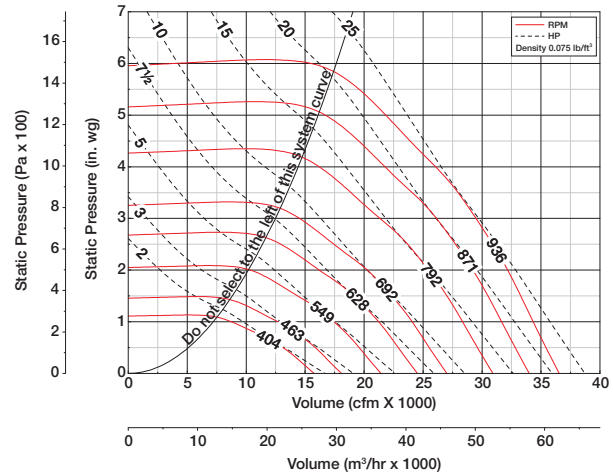
Performance certified is for installation type B: Free inlet, Ducted outlet. Power rating (Bhp) does not include transmission losses. Performance ratings do not include the effects of appurtenances (accessories). The sound power level ratings shown are in decibels, referred to 10-12 watts, calculated per AMCA Standard 301. Values shown are for inlet LwiA sound power levels and inlet hemispherical sone levels for installation type B: Free inlet, Ducted outlet, calculated per AMCA Standard 301. The AMCA Certified Ratings Seal applies to air performance and LwiA values only.

SWB-340 - Belt Drive Series 300



Wheel Diameter = 40 1/4 (1022)
 Shaft Diameter = 2 3/16 (56)
 Outlet Area = 9.31 ft² (0.865 m²)
 ^Approximate Unit Weight = 1709 lb. (777 kg)

All dimensions in inches (millimeters)
 For additional discharge positions see page 13
 ^Weight shown includes largest cataloged Open Drip Proof motor and weatherhood



Maximum BHP at a given RPM = (RPM/321)³
 (Maximum KW at a given RPM = (RPM/354)³)
 Maximum RPM = 936
 Tip Speed (ft/min.) = RPM x 10.54
 (Tip Speed (m/s) = RPM x 0.0535)
 Maximum Motor Frame Size = 286T

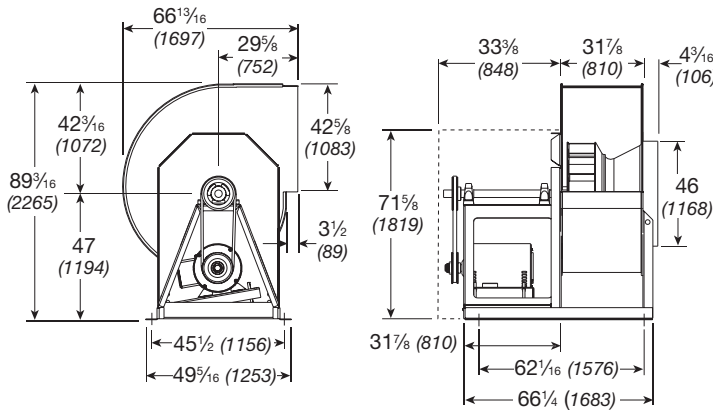
SWB-340

CFM	OV	Static Pressure in Inches wg											
		0.5	1	1.5	2	2.5	3	3.5	4	4.5	5		
12500	1342	RPM	391	460	521	575	625	671					
		BHP	1.80	2.85	3.92	5.06	6.29	7.56					
		Sones / LwiA	10.3 / 71	12.4 / 74	13.9 / 76	15.6 / 78	17.3 / 80	19.4 / 81					
14250	1530	RPM	428	488	547	599	646	691	733				
		BHP	2.32	3.51	4.70	5.93	7.22	8.61	10.0				
		Sones / LwiA	12.6 / 74	14.8 / 76	15.8 / 78	17.4 / 79	19 / 81	20 / 82	22 / 83				
16000	1718	RPM	466	521	575	625	670	712	754	793	829		
		BHP	2.95	4.25	5.60	6.95	8.34	9.76	11.3	12.9	14.5		
		Sones / LwiA	15.2 / 77	16.7 / 78	17.8 / 80	19.4 / 81	21 / 83	22 / 84	23 / 84	24 / 85	26 / 86		
17750	1906	RPM	506	555	603	652	697	738	776	813	850	885	
		BHP	3.72	5.12	6.63	8.10	9.60	11.1	12.7	14.4	16.1	17.9	
		Sones / LwiA	18.1 / 79	18.5 / 80	19.9 / 81	22 / 83	23 / 84	24 / 85	25 / 86	26 / 86	27 / 87	29 / 88	
19500	2094	RPM	547	592	636	680	724	764	802	837	871	905	
		BHP	4.63	6.14	7.75	9.40	11.0	12.7	14.4	16.1	17.8	19.7	
		Sones / LwiA	19.9 / 82	21 / 82	22 / 83	24 / 85	25 / 85	26 / 86	27 / 87	28 / 88	29 / 88	31 / 89	
21250	2282	RPM	589	629	670	710	751	791	828	863	896	928	
		BHP	5.70	7.31	9.02	10.8	12.6	14.4	16.2	18.0	19.9	21.8	
		Sones / LwiA	23 / 84	24 / 85	25 / 86	26 / 86	27 / 87	28 / 87	29 / 88	31 / 89	32 / 89	33 / 90	
23000	2470	RPM	631	668	706	744	780	818	855	889	922		
		BHP	6.94	8.65	10.5	12.4	14.3	16.3	18.2	20.1	22.1		
		Sones / LwiA	26 / 86	27 / 87	28 / 87	29 / 88	30 / 88	31 / 89	32 / 89	33 / 90	34 / 91		
24750	2658	RPM	673	708	743	778	813	846	882	917			
		BHP	8.37	10.2	12.1	14.1	16.2	18.3	20.4	22.4			
		Sones / LwiA	29 / 88	30 / 88	30 / 89	31 / 89	32 / 90	33 / 90	35 / 91	36 / 91			
26500	2846	RPM	716	749	781	814	847	879	910				
		BHP	9.98	11.9	14.0	16.1	18.2	20.5	22.7				
		Sones / LwiA	32 / 90	33 / 90	33 / 90	34 / 91	35 / 91	36 / 92	38 / 92				
28250	3034	RPM	758	790	819	851	881	912					
		BHP	11.8	13.9	16.0	18.2	20.5	22.8					
		Sones / LwiA	35 / 91	36 / 91	36 / 92	37 / 92	39 / 92	40 / 93					
30000	3222	RPM	801	832	860	889	918						
		BHP	13.8	16.1	18.3	20.6	23.0						
		Sones / LwiA	38 / 93	39 / 93	40 / 93	41 / 93	42 / 94						

Performance certified is for installation type B: Free inlet, Ducted outlet. Power rating (Bhp) does not include transmission losses. Performance ratings do not include the effects of appurtenances (accessories). The sound power level ratings shown are in decibels, referred to 10-12 watts, calculated per AMCA Standard 301. Values shown are for inlet LwiA sound power levels and inlet hemispherical sone levels for installation type B: Free inlet, Ducted outlet, calculated per AMCA Standard 301. The AMCA Certified Ratings Seal applies to air performance only.

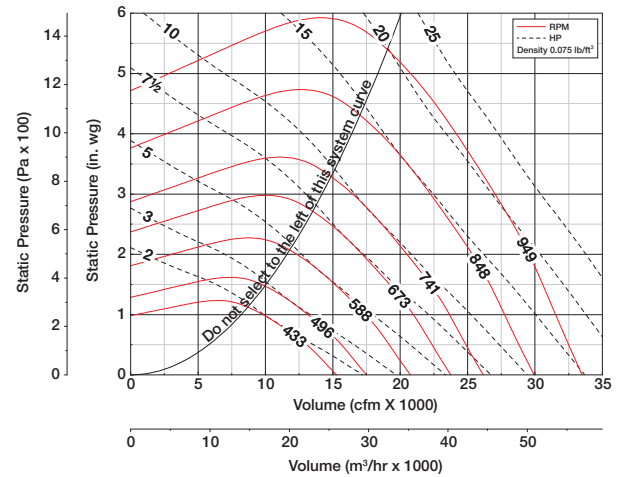
SWB-340-AF - Belt Drive

Series 300



Wheel Diameter = $40\frac{1}{4}$ (1022)
 Shaft Diameter = $2\frac{3}{16}$ (56)
 Outlet Area = 9.31 ft² (0.865 m²)
 ^Approximate Unit Weight = 1579 lb. (718 kg)

All dimensions in inches (millimeters)
 For additional discharge positions see page 13
 ^Weight shown includes largest cataloged Open Drip Proof motor and weatherhood



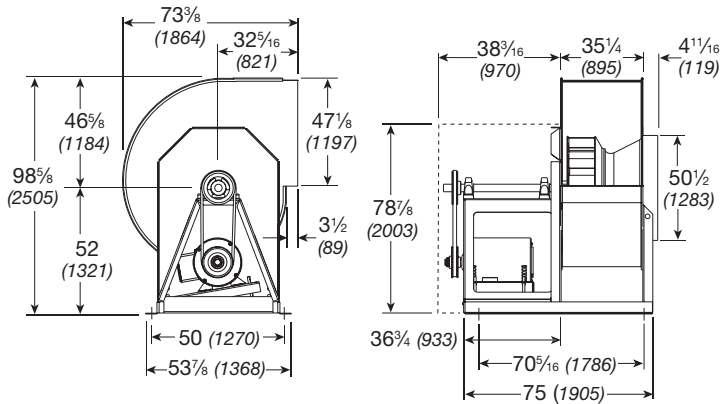
Maximum BHP at a given RPM = $(RPM/344)^3$
 (Maximum KW at a given RPM = $(RPM/379)^3$)
 Maximum RPM = 949
 Tip Speed (ft/min.) = RPM x 10.54
 (Tip Speed (m/s) = RPM x 0.0535)
 Maximum Motor Frame Size = 286T

SWB-340-AF

CFM	OV	Static Pressure in Inches wg													
		0.5	1	1.5	2	2.5	3	3.5	4	4.5	5				
15000	1611	RPM	480	535	586	632	678	720							
		BHP	2.44	3.65	4.89	6.20	7.48	8.79							
		Sones / LwiA	13.3 / 74	14.6 / 76	16 / 77	17.3 / 78	18.5 / 79	18.9 / 80							
16500	1772	RPM	518	568	616	660	701	743	782	819					
		BHP	2.98	4.30	5.63	7.03	8.48	9.88	11.3	12.8					
		Sones / LwiA	15.6 / 77	16.5 / 78	17.9 / 79	19.3 / 80	19.7 / 81	20 / 81	21 / 82	21 / 83					
18000	1933	RPM	557	602	647	689	730	767	806	842	876				
		BHP	3.60	5.02	6.48	7.95	9.50	11.1	12.6	14.2	15.8				
		Sones / LwiA	17.6 / 79	18.7 / 80	20 / 81	21 / 82	21 / 82	21 / 82	22 / 83	22 / 84	24 / 85				
19500	2094	RPM	597	638	679	720	759	795	830	865	899	931			
		BHP	4.33	5.83	7.43	8.99	10.6	12.3	14.0	15.7	17.4	19.1			
		Sones / LwiA	20 / 81	21 / 82	22 / 83	22 / 83	22 / 83	23 / 84	23 / 84	24 / 85	25 / 86	27 / 87			
21000	2255	RPM	637	674	714	752	789	824	858	889	923				
		BHP	5.16	6.75	8.45	10.2	11.9	13.6	15.4	17.3	19.1				
		Sones / LwiA	23 / 83	24 / 84	23 / 84	23 / 84	24 / 84	24 / 85	25 / 86	26 / 86	27 / 87				
22500	2416	RPM	677	712	749	784	820	853	886	918	947				
		BHP	6.10	7.79	9.58	11.4	13.2	15.1	17.0	18.9	20.9				
		Sones / LwiA	25 / 85	25 / 85	25 / 85	25 / 85	25 / 86	25 / 86	27 / 87	28 / 88	29 / 89				
24000	2577	RPM	717	750	784	818	852	885	916	947					
		BHP	7.16	8.94	10.8	12.8	14.7	16.7	18.6	20.7					
		Sones / LwiA	27 / 87	27 / 87	26 / 87	26 / 87	26 / 87	27 / 88	29 / 88	30 / 89					
25500	2738	RPM	758	789	820	853	884	916	947						
		BHP	8.34	10.2	12.2	14.3	16.4	18.4	20.4						
		Sones / LwiA	28 / 88	28 / 88	28 / 88	28 / 88	29 / 88	30 / 89	31 / 90						
27000	2900	RPM	798	829	857	888	919	948							
		BHP	9.66	11.7	13.7	15.9	18.1	20.3							
		Sones / LwiA	31 / 90	31 / 90	30 / 90	31 / 90	32 / 90	32 / 90							
28500	3061	RPM	839	869	896	924									
		BHP	11.1	13.2	15.4	17.6									
		Sones / LwiA	34 / 91	34 / 91	33 / 91	34 / 91									
30000	3222	RPM	880	908	935										
		BHP	12.7	14.9	17.2										
		Sones / LwiA	37 / 93	37 / 93	37 / 93										

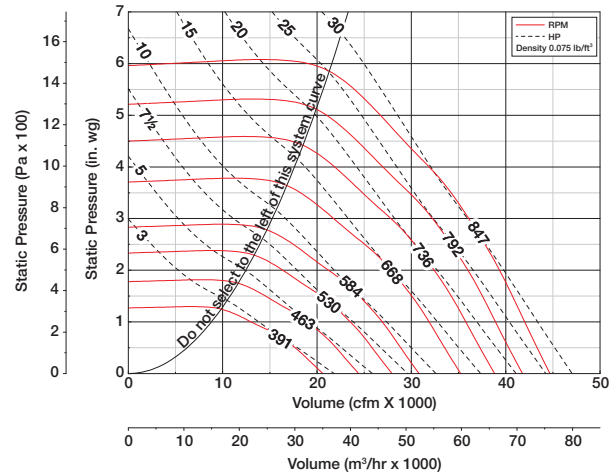
Performance certified is for installation type B: Free inlet, Ducted outlet. Power rating (Bhp) does not include transmission losses. Performance ratings do not include the effects of appurtenances (accessories). The sound power level ratings shown are in decibels, referred to 10-12 watts, calculated per AMCA Standard 301. Values shown are for inlet LwiA sound power levels and inlet hemispherical sone levels for installation type B: Free inlet, Ducted outlet, calculated per AMCA Standard 301. The AMCA Certified Ratings Seal applies to air performance and LwiA values only.

SWB-344 - Belt Drive Series 300



Wheel Diameter = 44 1/2 (1130)
 Shaft Diameter = 2 7/16 (62)
 Outlet Area = 11.39 ft² (1.06 m²)
 ^Approximate Unit Weight = 2127 lb. (967 kg)

All dimensions in inches (millimeters)
 For additional discharge positions see page 13
 ^Weight shown includes largest cataloged Open Drip Proof motor and weatherhood



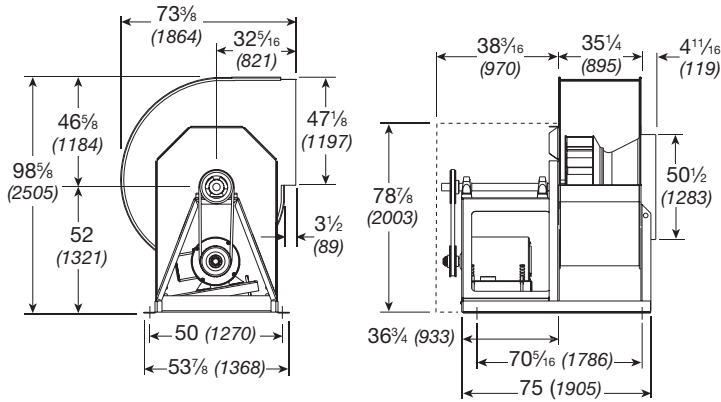
Maximum BHP at a given RPM = (RPM/271)³
 (Maximum KW at a given RPM = (RPM/299)³)
 Maximum RPM = 847
 Tip Speed (ft/min.) = RPM x 11.65
 (Tip Speed (m/s) = RPM x 0.0592)
 Maximum Motor Frame Size = 324T

SWB-344

CFM	OV	Static Pressure in Inches wg											
		0.5	1	1.5	2	2.5	3	3.5	4	4.5	5		
15000	1316	RPM	350	413	468	517	563						
		BHP	2.12	3.38	4.67	6.06	7.55						
		Sones / LwiA	10.7 / 72	12.5 / 74	14.6 / 76	16.6 / 78	17.7 / 80						
17000	1492	RPM	381	436	490	537	580	621	660				
		BHP	2.70	4.12	5.54	7.02	8.60	10.3	12.0				
		Sones / LwiA	12.7 / 74	14.6 / 76	16.9 / 78	17.7 / 80	19.2 / 81	21 / 83	23 / 84				
19000	1668	RPM	413	463	513	559	600	639	677	712	745		
		BHP	3.39	4.95	6.54	8.15	9.81	11.6	13.4	15.3	17.2		
		Sones / LwiA	14.9 / 76	17.1 / 78	18.7 / 80	19.4 / 81	21 / 82	23 / 84	24 / 85	25 / 86	27 / 87		
21000	1843	RPM	446	492	537	582	622	659	694	730	763	794	
		BHP	4.23	5.89	7.67	9.42	11.2	13.1	14.9	17.0	19.0	21.1	
		Sones / LwiA	17.6 / 79	20 / 80	20 / 81	21 / 83	23 / 84	25 / 85	26 / 86	27 / 87	28 / 88	29 / 88	
23000	2019	RPM	481	522	563	605	645	682	716	748	780	811	
		BHP	5.21	6.99	8.91	10.9	12.8	14.7	16.7	18.8	21.0	23.2	
		Sones / LwiA	21 / 81	22 / 82	22 / 83	24 / 84	25 / 86	27 / 87	28 / 87	29 / 88	30 / 88	31 / 89	
25000	2194	RPM	516	554	592	629	668	704	738	770	800	829	
		BHP	6.35	8.26	10.3	12.4	14.5	16.6	18.7	20.9	23.1	25.4	
		Sones / LwiA	23 / 83	23 / 84	24 / 85	26 / 86	28 / 87	29 / 88	30 / 88	31 / 89	32 / 89	33 / 90	
27000	2370	RPM	551	585	621	657	692	727	761	792	822		
		BHP	7.67	9.69	11.9	14.1	16.4	18.6	20.9	23.2	25.6		
		Sones / LwiA	25 / 85	26 / 86	27 / 87	29 / 88	30 / 88	31 / 89	32 / 89	33 / 90	34 / 91		
29000	2546	RPM	586	619	652	685	718	751	784	815	844		
		BHP	9.18	11.3	13.6	16.0	18.4	20.9	23.3	25.7	28.2		
		Sones / LwiA	28 / 87	29 / 88	30 / 88	31 / 89	32 / 89	33 / 90	34 / 91	35 / 91	37 / 92		
31000	2721	RPM	622	653	684	715	746	775	807	838			
		BHP	10.9	13.2	15.6	18.0	20.6	23.3	25.9	28.4			
		Sones / LwiA	31 / 89	32 / 90	33 / 90	34 / 90	35 / 91	36 / 91	37 / 92	38 / 92			
33000	2897	RPM	658	688	716	746	775	804	831				
		BHP	12.8	15.2	17.7	20.4	23.0	25.8	28.7				
		Sones / LwiA	35 / 91	36 / 91	36 / 91	37 / 92	38 / 92	39 / 92	40 / 93				
35000	3072	RPM	695	723	749	777	804	832					
		BHP	15.0	17.5	20.1	22.9	25.7	28.6					
		Sones / LwiA	38 / 92	38 / 92	39 / 93	40 / 93	41 / 93	42 / 94					

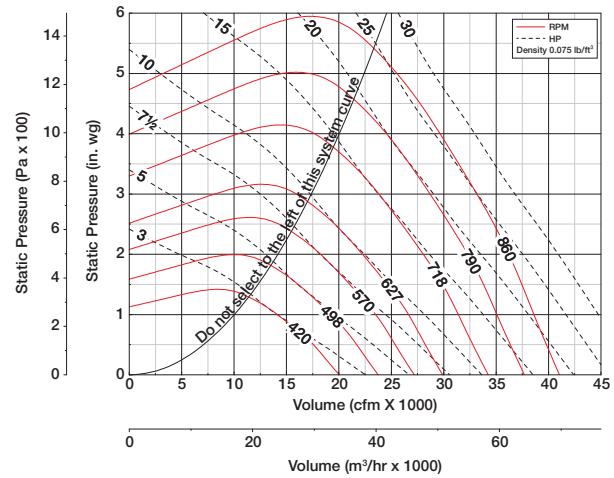
Performance certified is for installation type B: Free inlet, Ducted outlet. Power rating (Bhp) does not include transmission losses. Performance ratings do not include the effects of appurtenances (accessories). The sound power level ratings shown are in decibels, referred to 10-12 watts, calculated per AMCA Standard 301. Values shown are for inlet LwiA sound power levels and inlet hemispherical sone levels for installation type B: Free inlet, Ducted outlet, calculated per AMCA Standard 301. The AMCA Certified Ratings Seal applies to air performance only.

SWB-344-AF - Belt Drive Series 300



Wheel Diameter = 44 1/2 (1130)
 Shaft Diameter = 2 1/16 (62)
 Outlet Area = 11.39 ft² (1.06 m²)
 ^Approximate Unit Weight = 1997 lb. (908 kg)

All dimensions in inches (millimeters)
 For additional discharge positions see page 13
 ^Weight shown includes largest cataloged Open Drip Proof motor and weatherhood



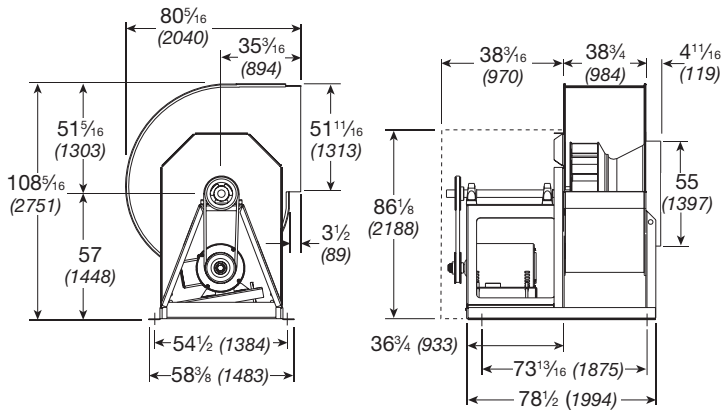
Maximum BHP at a given RPM = (RPM/291)³
 (Maximum KW at a given RPM = (RPM/321)³)
 Maximum RPM = 860
 Tip Speed (ft/min.) = RPM x 11.65
 (Tip Speed (m/s) = RPM x 0.0592)
 Maximum Motor Frame Size = 324T

SWB-344-AF

CFM	OV	Static Pressure in Inches wg													
		0.5	1	1.5	2	2.5	3	3.5	4	4.5	5				
15000	1316	RPM	376	433	484	532									
		BHP	2.03	3.26	4.56	5.86									
		Sones / LwiA	10.1 / 71	11.8 / 72	13.9 / 75	15.5 / 77									
17000	1492	RPM	411	463	511	555	597								
		BHP	2.56	3.94	5.38	6.85	8.32								
		Sones / LwiA	12 / 73	13.7 / 75	15.6 / 77	16.8 / 78	18.2 / 79								
19000	1668	RPM	447	494	539	581	621	659	694						
		BHP	3.20	4.74	6.29	7.93	9.57	11.2	12.9						
		Sones / LwiA	14.3 / 76	15.8 / 77	17.2 / 78	18.6 / 79	19.9 / 81	21 / 82	22 / 82						
21000	1843	RPM	485	528	570	609	646	682	717	750					
		BHP	3.97	5.64	7.34	9.09	10.9	12.7	14.5	16.4					
		Sones / LwiA	16.9 / 78	18 / 79	19.2 / 80	21 / 81	22 / 82	23 / 83	23 / 83	24 / 84					
23000	2019	RPM	524	562	601	639	674	707	740	773	804	833			
		BHP	4.87	6.66	8.54	10.4	12.3	14.4	16.3	18.3	20.3	22.3			
		Sones / LwiA	19.5 / 81	20 / 81	22 / 82	23 / 83	24 / 84	24 / 84	25 / 85	25 / 85	26 / 86	26 / 86			
25000	2194	RPM	563	598	634	670	703	736	766	797	827	856			
		BHP	5.92	7.83	9.87	11.9	13.9	16.1	18.2	20.4	22.5	24.7			
		Sones / LwiA	22 / 83	23 / 83	24 / 84	26 / 85	26 / 85	26 / 85	26 / 86	27 / 86	27 / 87	28 / 88			
27000	2370	RPM	602	634	668	701	734	765	795	823	851				
		BHP	7.12	9.16	11.3	13.5	15.7	17.9	20.2	22.6	25.0				
		Sones / LwiA	25 / 85	26 / 85	27 / 86	27 / 86	27 / 86	27 / 87	28 / 87	28 / 88	29 / 88				
29000	2546	RPM	642	672	703	734	765	795	823	851					
		BHP	8.50	10.66	12.9	15.3	17.6	20.0	22.4	24.9					
		Sones / LwiA	28 / 87	29 / 88	29 / 87	29 / 87	29 / 87	29 / 88	29 / 88	30 / 89					
31000	2721	RPM	682	711	739	769	797	826	854						
		BHP	10.1	12.4	14.7	17.2	19.8	22.3	24.8						
		Sones / LwiA	31 / 89	31 / 89	31 / 89	31 / 89	30 / 89	31 / 89	31 / 90						
33000	2897	RPM	722	750	775	803	831	858							
		BHP	11.8	14.2	16.7	19.4	22.1	24.8							
		Sones / LwiA	33 / 90	33 / 90	33 / 90	33 / 90	33 / 90	33 / 90							
35000	3072	RPM	762	789	813	839									
		BHP	13.8	16.3	19.0	21.7									
		Sones / LwiA	35 / 92	35 / 92	35 / 92	35 / 92									

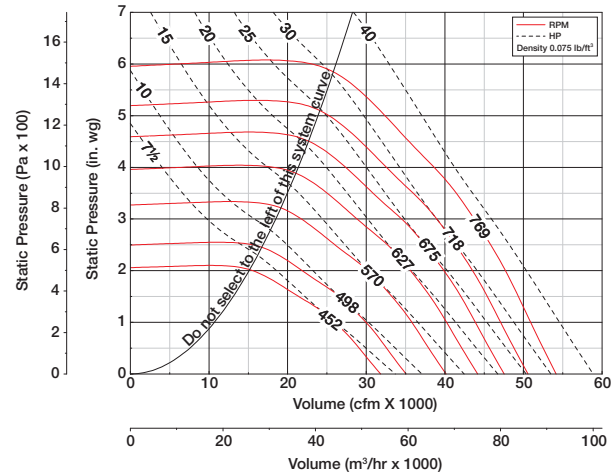
Performance certified is for installation type B: Free inlet, Ducted outlet. Power rating (Bhp) does not include transmission losses. Performance ratings do not include the effects of appurtenances (accessories). The sound power level ratings shown are in decibels, referred to 10-12 watts, calculated per AMCA Standard 301. Values shown are for inlet LwiA sound power levels and inlet hemispherical sone levels for installation type B: Free inlet, Ducted outlet, calculated per AMCA Standard 301. The AMCA Certified Ratings Seal applies to air performance and LwiA values only.

SWB-349 - Belt Drive Series 300



Wheel Diameter = 49 (1245)
 Shaft Diameter = 2 1/16 (62)
 Outlet Area = 13.8 ft² (1.28 m²)
 ^Approximate Unit Weight = 2433 lb. (1106 kg)

All dimensions in inches (millimeters)
 For additional discharge positions see page 13
 ^Weight shown includes largest cataloged Open Drip Proof motor and weatherhood



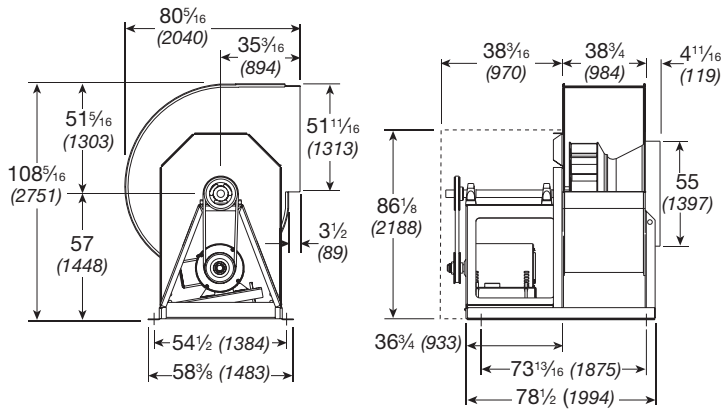
Maximum BHP at a given RPM = (RPM/231)³
 (Maximum KW at a given RPM = (RPM/255)³)
 Maximum RPM = 769
 Tip Speed (ft/min.) = RPM x 12.83
 (Tip Speed (m/s) = RPM x 0.0652)
 Maximum Motor Frame Size = 324T

SWB-349

CFM	OV	Static Pressure in Inches wg											
		0.5	1	1.5	2	2.5	3	3.5	4	4.5	5		
20000	1449	RPM	339	391	440	483	523	560	595				
		BHP	3.08	4.76	6.44	8.20	10.1	12.1	14.1				
		Sones / LwiA	13 / 74	14.7 / 76	16.7 / 78	18.8 / 80	20 / 81	21 / 83	23 / 84				
22500	1630	RPM	368	415	461	503	541	577	611	643			
		BHP	3.91	5.77	7.65	9.57	11.5	13.7	15.9	18.1			
		Sones / LwiA	15.1 / 77	17.1 / 78	19.1 / 80	21 / 82	21 / 83	23 / 84	24 / 85	26 / 86			
25000	1811	RPM	399	442	483	524	561	595	628	660	690	718	
		BHP	4.92	6.92	9.03	11.1	13.3	15.5	17.7	20.2	22.6	25.2	
		Sones / LwiA	17.6 / 79	19.7 / 80	22 / 82	23 / 83	23 / 84	25 / 85	26 / 86	28 / 87	29 / 88	31 / 89	
27500	1992	RPM	431	470	508	546	582	616	647	676	706	734	
		BHP	6.11	8.26	10.6	12.9	15.2	17.5	19.9	22.4	25.0	27.7	
		Sones / LwiA	20 / 81	23 / 82	24 / 84	24 / 84	25 / 86	27 / 87	29 / 88	30 / 89	31 / 89	32 / 90	
30000	2173	RPM	464	499	534	568	604	637	668	696	724	751	
		BHP	7.51	9.80	12.3	14.8	17.3	19.8	22.4	25.0	27.7	30.4	
		Sones / LwiA	24 / 83	26 / 84	26 / 85	26 / 86	28 / 87	30 / 88	31 / 89	32 / 90	33 / 90	34 / 91	
32500	2355	RPM	497	529	562	594	626	658	689	717	744		
		BHP	9.13	11.6	14.2	16.9	19.7	22.4	25.1	27.9	30.7		
		Sones / LwiA	28 / 86	28 / 86	28 / 87	29 / 87	31 / 88	33 / 90	34 / 90	35 / 91	36 / 91		
35000	2536	RPM	530	560	591	621	650	680	710	738	765		
		BHP	11.0	13.6	16.3	19.2	22.2	25.1	28.0	31.0	34.0		
		Sones / LwiA	29 / 87	29 / 88	30 / 88	32 / 89	34 / 90	35 / 91	36 / 91	37 / 92	38 / 92		
37500	2717	RPM	564	592	620	648	676	703	732	760			
		BHP	13.1	15.9	18.8	21.8	24.9	28.1	31.3	34.4			
		Sones / LwiA	32 / 89	33 / 90	34 / 90	35 / 91	37 / 91	38 / 92	39 / 92	40 / 93			
40000	2898	RPM	598	625	650	677	703	730	754				
		BHP	15.5	18.5	21.5	24.7	27.9	31.3	34.7				
		Sones / LwiA	35 / 91	36 / 91	38 / 92	39 / 92	40 / 93	41 / 93	42 / 93				
42500	3079	RPM	632	657	681	707	731	756					
		BHP	18.2	21.3	24.5	27.8	31.2	34.8					
		Sones / LwiA	39 / 93	41 / 93	42 / 93	42 / 94	43 / 94	44 / 94					
45000	3260	RPM	666	690	713	736	760						
		BHP	21.2	24.5	27.9	31.3	34.9						
		Sones / LwiA	44 / 94	44 / 94	45 / 95	46 / 95	46 / 95						

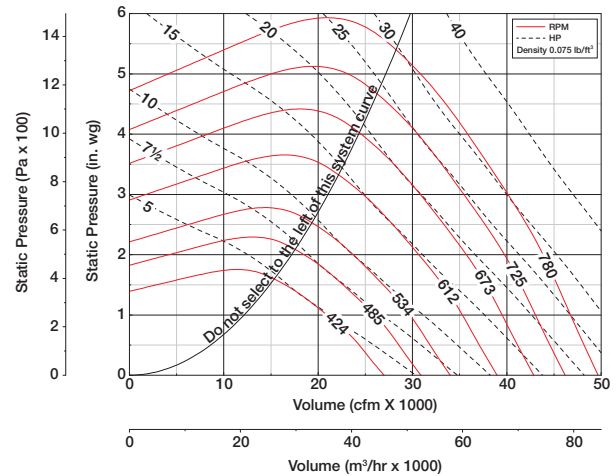
Performance certified is for installation type B: Free inlet, Ducted outlet. Power rating (Bhp) does not include transmission losses. Performance ratings do not include the effects of appurtenances (accessories). The sound power level ratings shown are in decibels, referred to 10-12 watts, calculated per AMCA Standard 301. Values shown are for inlet LwiA sound power levels and inlet hemispherical sone levels for installation type B: Free inlet, Ducted outlet, calculated per AMCA Standard 301. The AMCA Certified Ratings Seal applies to air performance only.

SWB-349-AF - Belt Drive Series 300



Wheel Diameter = 49 (1245)
 Shaft Diameter = 2 7/16 (62)
 Outlet Area = 13.8 ft² (1.28 m²)
 ^Approximate Unit Weight = 2298 lb. (1045 kg)

All dimensions in inches (millimeters)
 For additional discharge positions see page 13
 ^Weight shown includes largest cataloged Open Drip Proof motor and weatherhood



Maximum BHP at a given RPM = (RPM/248)³
 (Maximum KW at a given RPM = (RPM/273)³)
 Maximum RPM = 780
 Tip Speed (ft/min.) = RPM x 12.83
 (Tip Speed (m/s) = RPM x 0.0652)
 Maximum Motor Frame Size = 324T

SWB-349-AF

CFM	OV		Static Pressure in Inches wg																				
			0.5	1	1.5	2	2.5	3	3.5	4	4.5	5											
20000	1449	RPM	365	413	457	499	537																
		BHP	2.93	4.56	6.27	7.99	9.74																
		Sones / LwiA	12.4 / 73	13.7 / 75	15.5 / 77	17.5 / 79	18.9 / 80																
22000	1594	RPM	391	437	478	517	555	589															
		BHP	3.54	5.31	7.13	9.06	10.9	12.9															
		Sones / LwiA	13.7 / 75	15.2 / 76	17.1 / 78	18.8 / 80	20 / 81	21 / 82															
24000	1739	RPM	419	461	501	537	572	607	639														
		BHP	4.24	6.18	8.11	10.2	12.3	14.3	16.4														
		Sones / LwiA	15.6 / 77	17 / 78	18.9 / 80	20 / 81	21 / 82	23 / 83	24 / 84														
26000	1884	RPM	448	486	524	559	592	624	656	686	714												
		BHP	5.04	7.10	9.20	11.4	13.6	15.9	18.1	20.4	22.7												
		Sones / LwiA	17.7 / 79	19.1 / 80	20 / 81	22 / 82	23 / 83	24 / 84	26 / 85	27 / 85	27 / 86												
28000	2028	RPM	477	512	547	581	613	644	673	703	731	757											
		BHP	5.96	8.14	10.4	12.7	15.1	17.5	19.9	22.3	24.7	27.2											
		Sones / LwiA	20 / 81	21 / 82	22 / 82	24 / 83	25 / 84	26 / 85	28 / 86	28 / 86	28 / 87	29 / 87											
30000	2173	RPM	506	539	572	604	635	665	693	721	748	775											
		BHP	7.00	9.30	11.8	14.2	16.6	19.2	21.8	24.4	27.0	29.6											
		Sones / LwiA	23 / 83	23 / 83	24 / 84	26 / 85	27 / 86	29 / 87	29 / 87	29 / 87	30 / 87	30 / 88											
32000	2318	RPM	536	565	597	628	658	686	714	740	766												
		BHP	8.17	10.6	13.2	15.8	18.3	21.0	23.8	26.6	29.3												
		Sones / LwiA	25 / 85	26 / 85	27 / 86	28 / 86	30 / 87	30 / 87	30 / 88	31 / 88	31 / 88												
34000	2463	RPM	566	594	623	652	681	709	735	761													
		BHP	9.48	12.0	14.7	17.5	20.2	23.0	25.9	28.8													
		Sones / LwiA	27 / 86	28 / 87	29 / 87	31 / 88	32 / 88	32 / 88	32 / 89	32 / 89													
36000	2608	RPM	596	623	650	678	705	732	757														
		BHP	10.9	13.6	16.4	19.3	22.3	25.2	28.1														
		Sones / LwiA	30 / 88	31 / 88	32 / 89	33 / 89	33 / 89	33 / 89	33 / 89														
38000	2753	RPM	626	652	676	703	729	755															
		BHP	12.5	15.4	18.3	21.3	24.5	27.5															
		Sones / LwiA	33 / 89	34 / 90	35 / 90	35 / 90	34 / 90	34 / 90															
40000	2898	RPM	656	681	704	730	754	779															
		BHP	14.3	17.3	20.3	23.5	26.7	30.0															
		Sones / LwiA	36 / 91	37 / 91	36 / 91	36 / 91	36 / 91	36 / 91															

Performance certified is for installation type B: Free inlet, Ducted outlet. Power rating (Bhp) does not include transmission losses. Performance ratings do not include the effects of appurtenances (accessories). The sound power level ratings shown are in decibels, referred to 10-12 watts, calculated per AMCA Standard 301. Values shown are for inlet LwiA sound power levels and inlet hemispherical sone levels for installation type B: Free inlet, Ducted outlet, calculated per AMCA Standard 301. The AMCA Certified Ratings Seal applies to air performance and LwiA values only.

Model SFD Direct Drive Utility Fans

Supply, exhaust or return air fans shall be of the direct drive utility fan type, in AMCA Arrangement 4 with a single-width, single-inlet housing, in clockwise or counterclockwise rotation as specified.



The housing shall be constructed of heavy-gauge galvanized steel with lock formed seams permitting no air leakage. The housing shall be easily rotated in the field to any of the eight standard discharge positions. Housing supports shall be constructed of heavy-gauge galvanized steel to minimize vibration and rigidly support the motor and wheel.

The fan wheel shall be of the forward-curved type and shall be constructed of heavy-gauge aluminum. Wheels shall be statically and dynamically balanced. The wheel cone and fan inlet cone shall be carefully matched for maximum performance and operating efficiency. Motors shall be heavy-duty ball bearing type matched to the fan load and furnished at the specified voltage, phase and enclosure.

All fans shall bear the AMCA Air Performance seal.

Utility fans shall be model SFD (with forward-curved wheels) as manufactured by Greenheck Fan Corporation of Schofield, Wisconsin, USA.

Model SFB Belt Drive Utility Fans

Supply, exhaust and return air fans shall be of the belt driven utility fan type in AMCA Arrangement 10 with a single-width, single-inlet housing, in clockwise or counterclockwise rotation as specified.

The housing shall be constructed of heavy-gauge steel with airtight lock formed seams. The housing shall be easily rotated in the field to any of the eight standard discharge positions. Housing and bearing supports shall be constructed of welded steel members to prevent vibration and to rigidly support the shaft and bearings.

Model SFB fan wheels shall be of the forward-curved type, constructed of heavy-gauge steel with uniform stamped steel blades.

Wheels shall be statically and dynamically balanced. The wheel cone and fan inlet cone shall be carefully matched for maximum performance and operating efficiency.

Motors shall be heavy-duty, ball bearing type, matched to the fan load and furnished at the specified voltage, phase and enclosure. The fan shaft shall be ground and polished solid steel mounted in heavy-duty, sealed, pillow block ball bearings. Bearings shall be selected for a minimum L_{10} life in excess of 100,000 hours (L_{50} average of 500,000 hours) at maximum cataloged operating speed. Drives shall be sized for a minimum of 150% of driven horsepower. Pulleys shall be of the fully machined cast iron type, keyed and securely attached to the fan and motor shafts. The motor pulley shall be adjustable for final system balancing.

All fans shall bear the AMCA Air Performance seal.

Utility fans shall be model SFB (with forward-curved wheels) as manufactured by Greenheck Fan Corporation of Schofield, Wisconsin, USA.



Model SWB Series 100, 200 and 300 Belt Drive Utility Fans

Supply, exhaust and return air fans shall be of the belt-driven utility fan type in AMCA Arrangement 10 with a single-width, single-inlet housing, in clockwise or counterclockwise rotation as specified.

The housing shall be constructed of heavy gauge galvanized steel on Series 100 models and includes an airtight lock seam. Series 200 and 300 models shall have a heavy gauge painted steel housing or optional aluminum housing on Series 200. Housing shall have an airtight lock seam or optional welded seam. The housing shall be field rotatable to any of the eight standard discharge positions. To prevent vibration and to rigidly support the shaft and bearings, Series 100 and 200 drive frame and bearing supports shall be constructed of welded steel members coated with Permator™ and Series 300 shall be constructed of reinforced heavy-gauge galvanized steel.

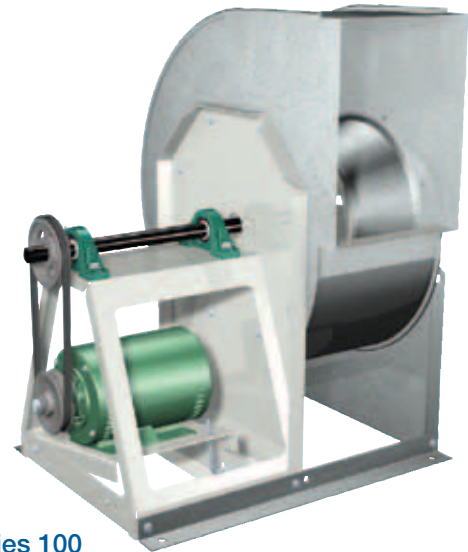
The fan wheel shall be of the non-overloading backward-inclined, centrifugal type. The fan wheel shall be constructed of heavy-gauge aluminum on Series 200 fans sizes 206-210 and all Series 100 fans. Series 200 and 300 wheels shall be constructed of heavy-gauge steel with optional aluminum on Series 200 fans size 212 and larger and all Series 300 sizes. Series 300-AF fans shall have an aluminum backward-inclined airfoil wheel.

Wheels shall be statically and dynamically balanced. The wheel cone and fan inlet cone shall be carefully matched for maximum performance and operating efficiency.

Motors shall be heavy-duty ball bearing type matched to the fan load and furnished at the specified voltage, phase and enclosure. The fan shaft shall be ground and polished solid steel mounted in heavy-duty pillow block ball bearings. Bearings shall be selected for a minimum L_{10} life in excess of 100,000 hours (L_{50} average life of 500,000 hours) at maximum cataloged operating speed. Drives shall be sized for a minimum of 150% of driven horsepower. Pulleys shall be of the fully machined cast iron type, keyed and securely attached to the fan and motor shafts. The motor pulley shall be adjustable for final system balancing for applications with 10 hp or less motors.

All fans shall bear the AMCA Air Performance seal.

Utility fans shall be model SWB (with backward-inclined wheels) as manufactured by Greenheck Fan Corporation in Schofield, Wisconsin, USA.



Series 100

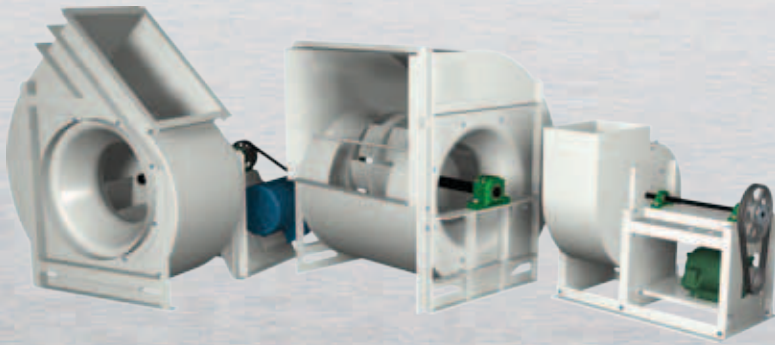


Series 200



Series 300

Other Centrifugal Fan Products

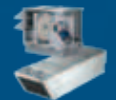


Models BISW/AFSW (single-width) and BIDW/AFDW (double-width) are fans with backward inclined or airfoil wheels.

Greenheck's airfoil and backward inclined centrifugal fans are designed to provide efficient and reliable operation for commercial and industrial applications. Our products are manufactured with state-of-the-art laser, forming, spinning and welding equipment and endure our quality control testing to ensure trouble-free operation. Greenheck centrifugal models include industry leading design features to ensure your ventilation equipment has the latest technologies available.

Available with Greenheck centrifugal products:

- All welded or Permalock™ housing construction
- Concentric mount bearings with the industry's highest cataloged bearing life
- Corrosion-resistant, electrostatically applied and baked powder coatings
- Both belt and direct drive configurations
- Three plane, six channel vibration analysis



Building Value in Air

Greenheck delivers value to mechanical engineers by helping them solve virtually any air quality challenges their clients face with a comprehensive selection of

top quality, innovative air-related equipment. We offer extra value to contractors by providing easy-to-install, competitively priced, reliable products that arrive on time.

And building owners and occupants value the energy efficiency, low maintenance and quiet dependable operation they experience long after the construction project ends.

Our Warranty

Greenheck warrants this equipment to be free from defects in material and workmanship for a period of one year from the shipment date. Any units or parts which prove defective during the warranty period will be replaced at our option when returned to our factory, transportation prepaid. Motors are warranted by the motor manufacturer for a period of one year. Should motors furnished by Greenheck prove defective during this period, they should be returned to the nearest authorized motor service station. Greenheck will not be responsible for any removal or installation costs.

As a result of our commitment to continuous improvement, Greenheck reserves the right to change specifications without notice.



Prepared to Support
Green Building Efforts

